

# 4010

## Deck Mounted Drinking Fountain



### FEATURES & BENEFITS

#### Bubbler Valve

Polished chrome-plated brass cartridge valve which allows for top access stream adjustment as well as cartridge and strainer access, and is designed with a shielded, anti-squirt orifice that provides a steady sanitary source of water.

#### Quality Control

Fountain is pre-built and fully water and pressure tested to ensure no leaks and proper function for reduced installation time and added peace of mind.

### OPTIONS

- Filter: Model 6426, 12" x 2", in-line lead removal element that reduces lead from incoming water supply.
- Chiller: Model HCR8, chiller provides for instantaneous cooling to meet a continuous demand for chilled water.



### SPECIFICATIONS

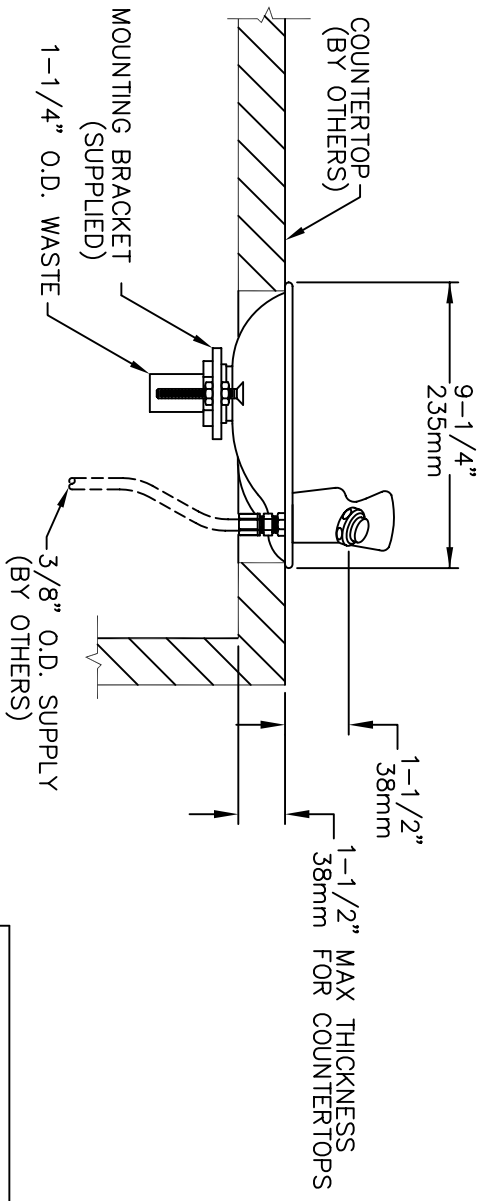
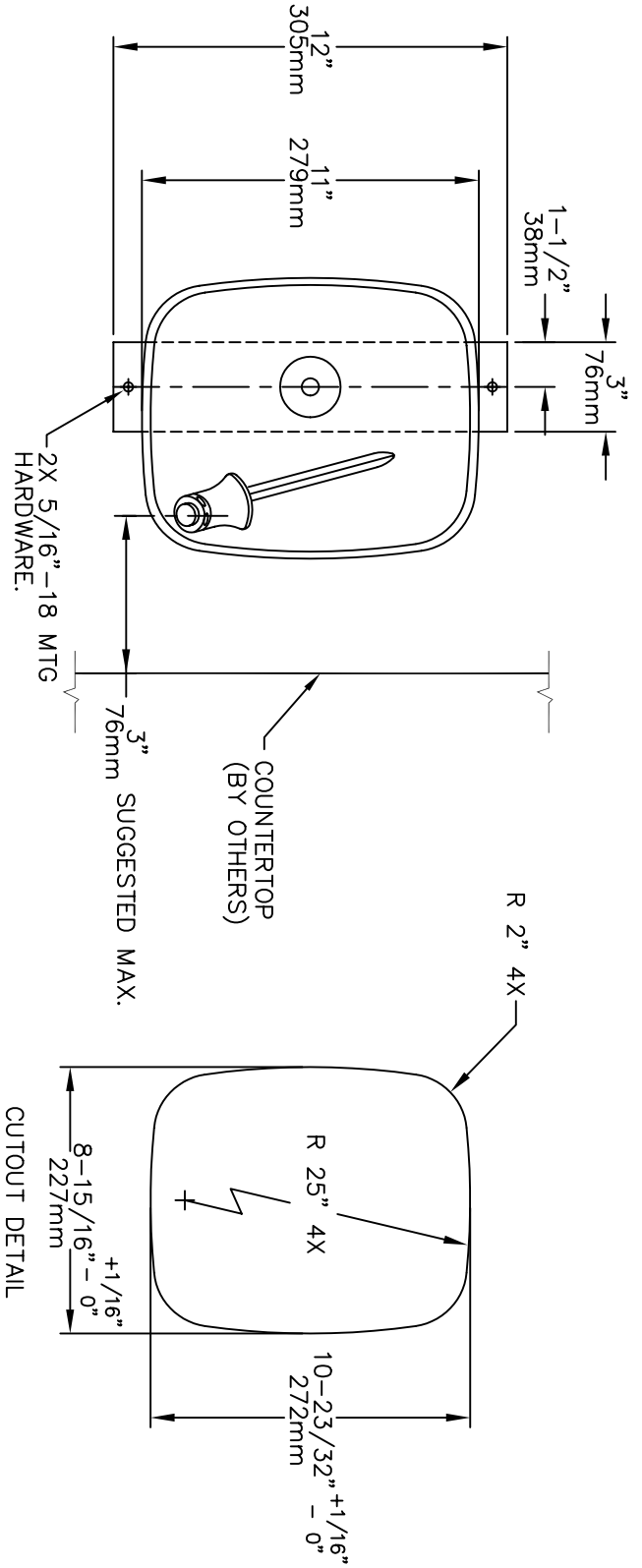
Model 4010 deck top sink shall include a Type 304 Stainless Steel, 20 gauge basin, polished chrome-plated brass bubbler valve, cad plated steel mounting bracket with adjustable mounting bolts, and 1-1/4" O.D. tailpiece.

### APPLICATIONS

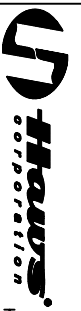
Perfect for either public or private indoor settings, the 4010 is a great fit in areas where a countertop is the best fit for a drinking faucet/sink mount. Specifically, this type of deck mounted sink may be placed in settings such as: schools classrooms, laboratories, and other facilities where the need for a deck mounted sink/fountain is present. Dual purpose abilities allow the unit to provide multiple functions in one area and not take up excess space.

Haws manufactures drinking fountains, electric water coolers and electric drinking fountains to be lead-free by all known definitions including ANSI/NSF Standard 61, Section 9, California Proposition 65, and the Federal Safe Drinking Water Act.





THESE DIMENSIONS MAY VARY ± 1/4" (6.4mm).



INFO FAX : 1-888-FAX-HAWS (1-888-329-4297)  
 1455 Kleppe Ln, Sparks, NY, 89431  
 Phone: 775-359-4712 Fax: 775-359-7424  
 Haws Ag, Bichweg 3, CH-3401 Burgdorf, Switzerland  
 Haws Wtg Pte Ltd, 74 Sungai Kadut Loop, Singapore 729531  
 e-mail: Haws@hawsco.com website: www.hawsco.com

DESIGNER: J. FIGUEROA	DATE: 06/94	TITLE: DECK MOUNTED FOUNTAIN - MODEL 4010	SCALE: 1:3
APPROVED:		INFO FAX DOC # 24010	DRAWING TYPE: INSTALLATION/ASSEMBLY
PROJECT NO: 3264	REV: 0	MODEL: 4010	DATE: 06/94
REV: 1	DATE: 06/94	REV: 2	DATE: 06/94
REV: 3	DATE: 06/94	REV: 4	DATE: 06/94
REV: 5	DATE: 06/94	REV: 6	DATE: 06/94