

ELKAY® SPECIFICATIONS

No Lead Three-Station Drinking Fountain Fully Exposed Wall Mount Model EDF310C

GENERAL

#18 gauge, type 304, nickel bearing stainless steel wall mounted multiple station drinking fountain – designed to meet all sanitary codes. Unit has stream splitter design basins with perforated grid strainers. Hooded stream projectors have in-line flow regulators – 20 to 105 psi. Separate push button controls are mounted on front. Exposed surfaces are hand blended to a lustrous LK-6K satin finish. Wall hanger furnished.

NO LEAD DESIGN

THIS DRINKING FOUNTAIN COMPLIES WITH THE LEAD-FREE DEFINITION IN THE SAFE DRINKING WATER ACT OF 1986 AND LEAD CONTAMINATION CONTROL ACT OF 1988.

Elkay Drinking Fountains are manufactured with a waterway system utilizing copper components and completely lead-free material. These waterways have no lead because all leaded materials, such as leaded brass, have been removed.

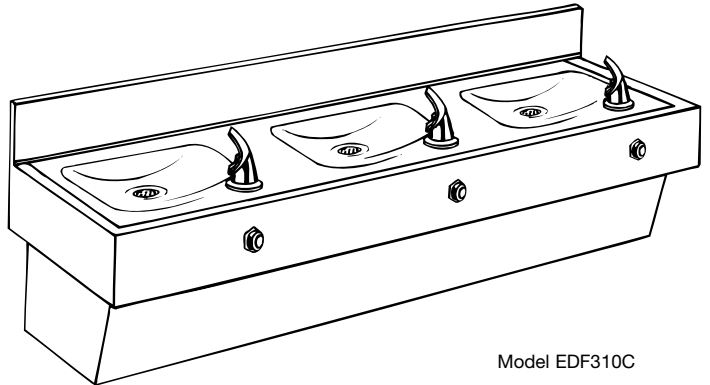


This drinking fountain is classified by Underwriters Laboratories Inc. in accordance with **ANSI/NSF61, Section 9-1997b.**

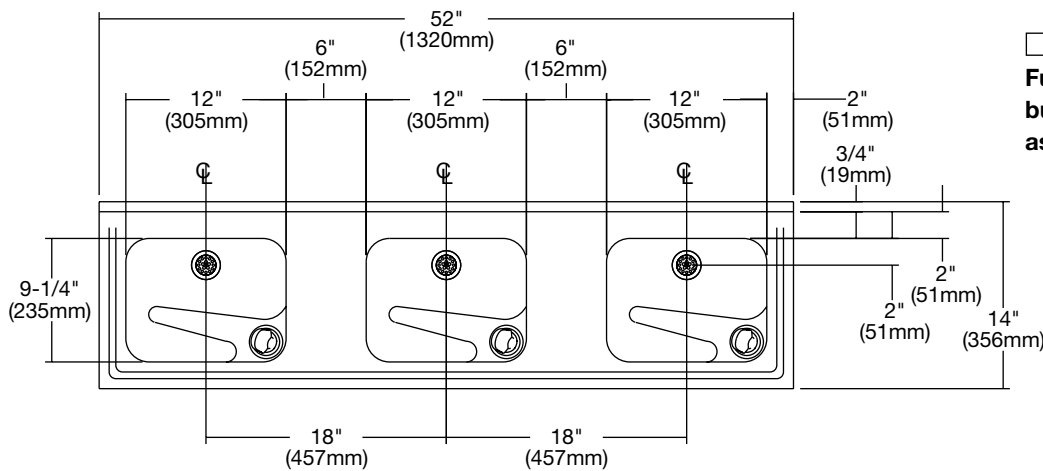
CONSTRUCTION

EDF310C furnished complete with bubbler and drain assemblies.

Exclusive Flexi-Guard® Safety Bubbler*: Innovative design utilizes a pliable polyester elastomer to prevent accidental mouth injuries. Flexes on impact, then returns to original position. Strong. Abrasion-resistant. Anti-sweat.



Model EDF310C



EDF310C
Furnished complete with
bubbler and drain
assemblies.

*Patent #4,481,971

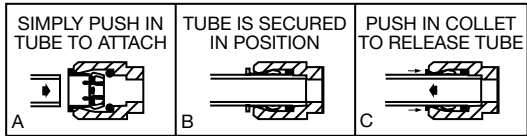
**No Lead Three-Station Drinking Fountain
Fully Exposed Wall Mount
Model EDF310C**

**ELKAY®
ROUGH-IN DIMENSIONS**

INSTALLER NOTE

THIS DRINKING FOUNTAIN IS FURNISHED WITH A BUBBLER AND VALVE INCLUDING ALL CONNECTING FITTINGS WHICH ARE MANUFACTURED OF COMPLETELY LEAD FREE MATERIAL. IT IS RECOMMENDED THAT SHUT OFF VALVE AND SUPPLY TUBING SUPPLIED BY OTHERS BE NON-METALLIC.

OPERATION OF QUICK CONNECT FITTINGS



PUSHING TUBE IN BEFORE PULLING IT OUT HELPS TO RELEASE TUBE

