

ELKAY® SPECIFICATIONS

No Lead Dual Station Drinking Fountain Wall Mount – Fully Exposed Barrier-Free Access Model EDFP220RC (White Granite)

GENERAL

With a contemporary look and smooth, rounded lines, this wall mounted drinking fountain is constructed of a premium composite, polyester material. Available in White Granite.

Contoured basin minimizes splashing and has exclusive Charcoal Gray colored Flexi-Guard® safety bubblers to prevent accidental mouth injuries. Easy to operate, fully functional, chrome plated push buttons are vandal-resistant. Bottom cover plate included. Flow regulator provides stream from 20 to 105 psi water pressure.

THIS DRINKING FOUNTAIN COMPLIES WITH THE REQUIREMENTS OF A.D.A. (AMERICANS WITH DISABILITIES ACT) WHEN PROPERLY INSTALLED.

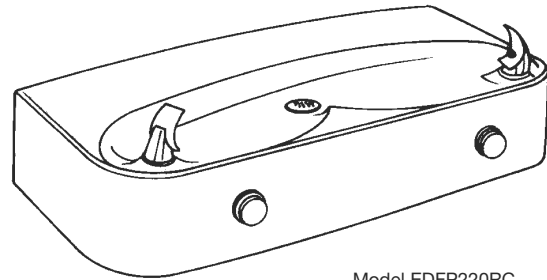
NO LEAD DESIGN

THIS DRINKING FOUNTAIN COMPLIES WITH THE LEAD-FREE DEFINITION IN THE SAFE DRINKING WATER ACT OF 1986 AND LEAD CONTAMINATION CONTROL ACT OF 1988.

Elkay Drinking Fountains are manufactured with a waterway system utilizing copper components and completely lead-free material. These waterways have no lead because all leaded materials, such as leaded brass, have been removed.

CONSTRUCTION

EDFP220RC furnished complete with Flexi-Guard® bubblers, fully assembled front push buttons, flow regulator (20 to 105 p.s.i.), and drain and trap assembly. Bottom cover plate fastened with vandal-resistant screws.



Model EDFP220RC

Care and Maintenance of Elkay Composite Fountains

The premium composite fountain provides an extremely durable, non-porous surface which resists staining. Care is very simple. Routine cleaning with a soft sponge or cloth, or with water or non-abrasive aerosol foam cleaner, is all that is normally needed to give many years of trouble free service. Cleaners left standing on the fountain surface can dull the surface finish. Be certain to rinse all cleaning agents completely and polish with a soft cloth.

Harsh abrasive cleaners are not required and should not be used.

Mild abrasives such as liquid automotive cleaning compound or baking soda paste will remove simple scratches and stains. Cigarette burns can normally be removed without noticeable effect. Deeper scratches or gouges can be corrected with fine grit sandpaper (240 grit then 400 grit) or a green scotchbrite pad.

To maintain or regain luster and make cleaning easier, periodic applications of automobile wax or like products will keep the finish looking like new.

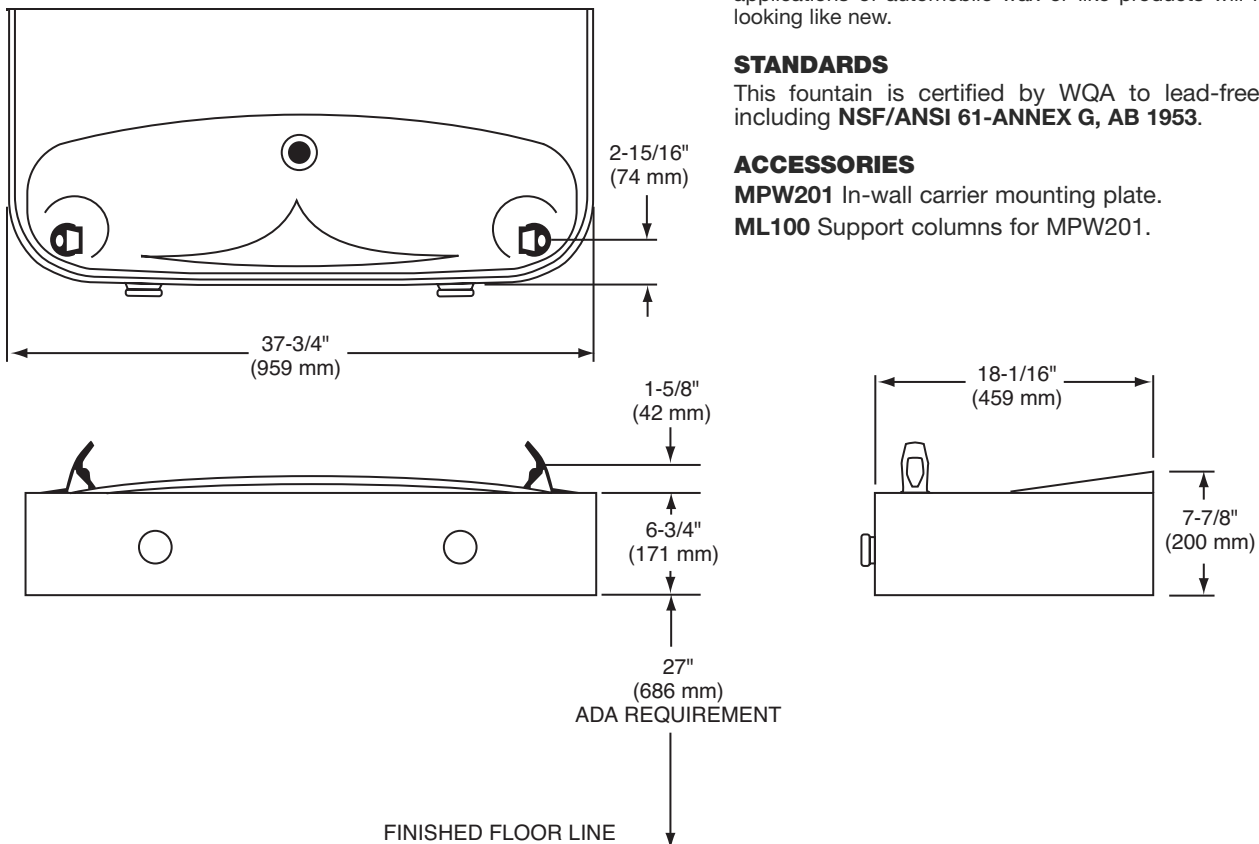
STANDARDS

This fountain is certified by WQA to lead-free compliance including NSF/ANSI 61-ANNEX G, AB 1953.

ACCESSORIES

MPW201 In-wall carrier mounting plate.

ML100 Support columns for MPW201.



In keeping with our policy of continuing product improvement, Elkay reserves the right to change product specifications without notice. Please visit elkayusa.com for most current version of Elkay product specification sheets.

This specification describes an Elkay product with design, quality and functional benefits to the user. When making a comparison of other producers' offerings, be certain these features are not overlooked.

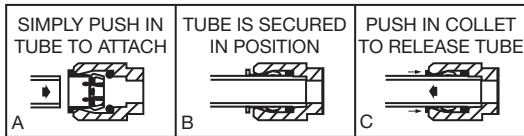
**No Lead Dual Station Drinking Fountain
Wall Mount – Fully Exposed Barrier-Free Access
Model EDFP220RC (White Granite)**

**ELKAY®
ROUGH-IN DIMENSIONS**

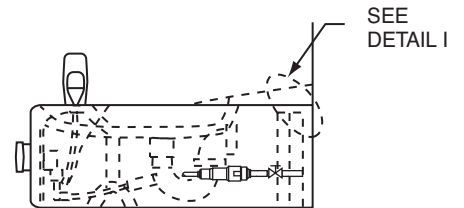
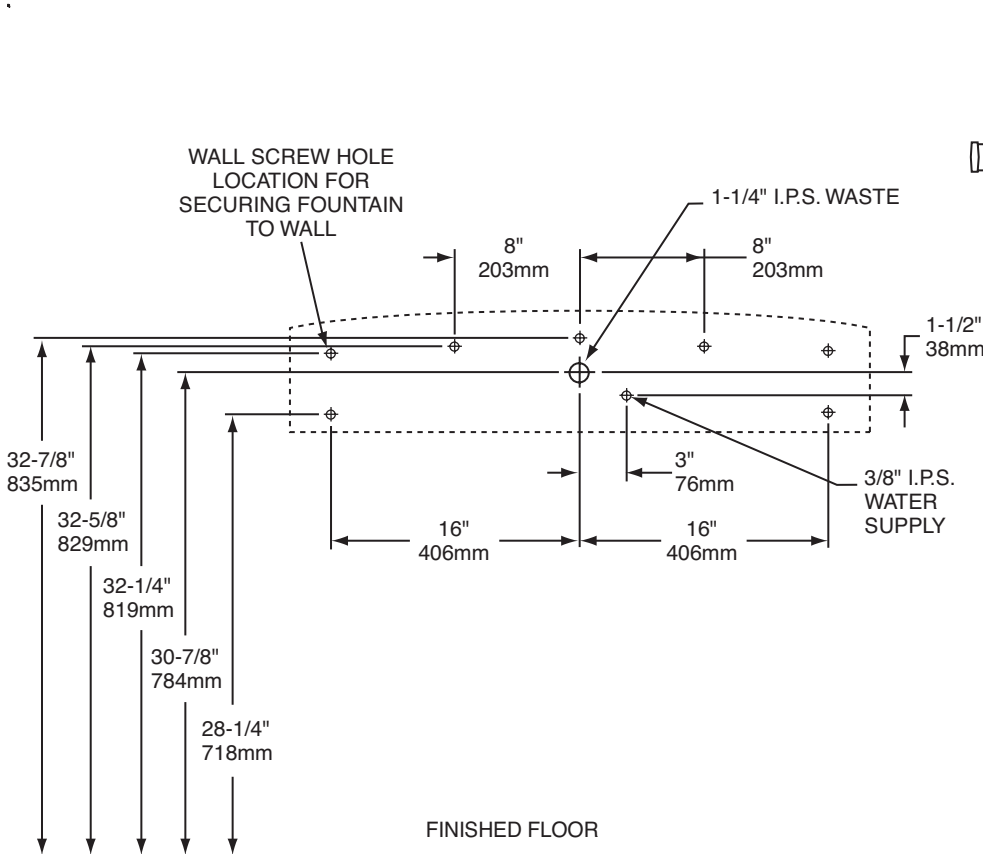
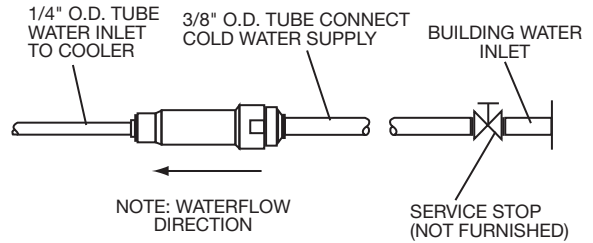
INSTALLER NOTE

THIS DRINKING FOUNTAIN IS FURNISHED WITH A BUBBLER AND VALVE INCLUDING ALL CONNECTING FITTINGS WHICH ARE MANUFACTURED OF COMPLETELY LEAD FREE MATERIAL. SHUT-OFF VALVE (NOT FURNISHED) TO ACCEPT 3/8" O.D. UNPLATED COPPER TUBE.

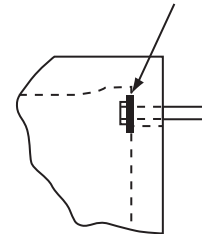
OPERATION OF QUICK CONNECT FITTINGS



PUSHING TUBE IN BEFORE PULLING IT OUT HELPS TO RELEASE TUBE



WASHER REQUIRED TO MINIMIZE BREAKAGE OF FOUNTAIN (TYPICAL ALL 7 MOUNTING BOLTS)



DETAIL 1