

ELKAY[®]

SPECIFICATIONS

Heavy Duty 14 Gauge Drinking Fountain Wall Mount, Fully Exposed Barrier-Free Access Models EHWM214C and EHW214C

GENERAL

Wall mounted drinking fountain constructed of #14 gauge, type 304, stainless steel polished to a satin finish.

Contoured basin minimizes splashing and has vandal-resistant bubbler. Keyed in location to prevent rotation. Easy to operate, fully functional push button is vandal-resistant. Bottom cover plate included. Flow regulator provides constant stream from 20 to 105 psi water pressure.

THIS DRINKING FOUNTAIN COMPLIES WITH THE REQUIREMENTS OF A.D.A. (AMERICANS WITH DISABILITIES ACT) WHEN PROPERLY INSTALLED.

NO LEAD DESIGN

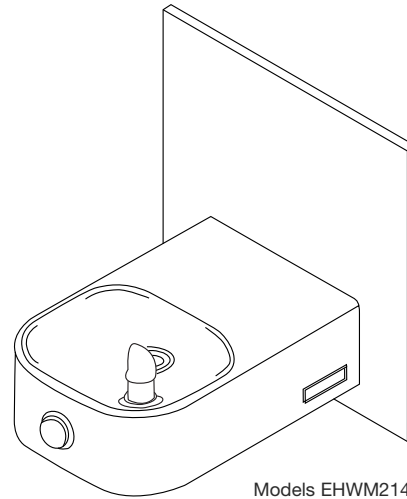
THIS DRINKING FOUNTAIN COMPLIES WITH THE LEAD-FREE DEFINITION IN THE SAFE DRINKING WATER ACT OF 1986 AND LEAD CONTAMINATION CONTROL ACT OF 1988.

Elkay Drinking Fountains are manufactured with a waterway system utilizing copper components and completely lead-free material. These waterways have no lead because all leaded materials, such as leaded brass, have been removed.

This fountain is certified by WQA to lead-free compliance including NSF/ANSI 61-ANNEX G, AB 1953.

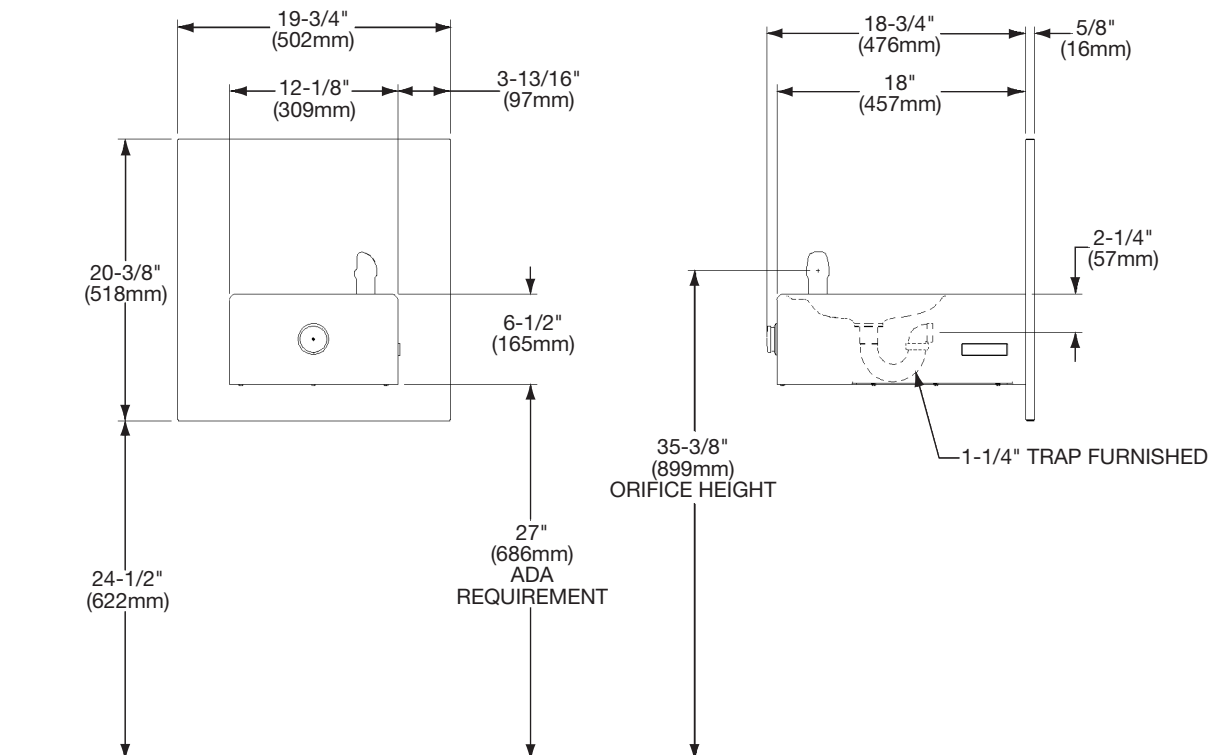
CONSTRUCTION

EHW214C furnished complete with vandal-resistant bubbler and easy to operate, vandal-resistant front push button. Flow regulator provides constant stream from 20 to 105 psi water pressure. Stainless steel wall plate with surface mounting plate and vandal-resistant 14 gauge bottom cover plate included. Trap included.



Models EHWM214C and EHW214C

EHW214C does not include the surface mounting plate. To be mounted with **MPW101** in-wall mounting plate. **ML100** in-wall support legs are optional.



In keeping with our policy of continuing product improvement, Elkay reserves the right to change product specifications without notice. Please visit elkayusa.com for most current version of Elkay product specification sheets.

This specification describes an Elkay product with design, quality and functional benefits to the user. When making a comparison of other producers' offerings, be certain these features are not overlooked.

Elkay

elkayusa.com

2222 Camden Court
Oak Brook, IL 60523

Printed in U.S.A.
©2011 Elkay

(Rev. 4/11) 14-49C

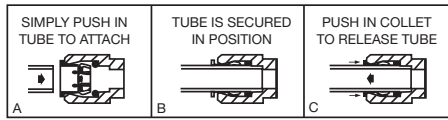
**Heavy Duty 14 Gauge Drinking Fountain
Wall Mount, Fully Exposed
Barrier-Free Access
Model EHWM214C**

**ELKAY®
SPECIFICATIONS**

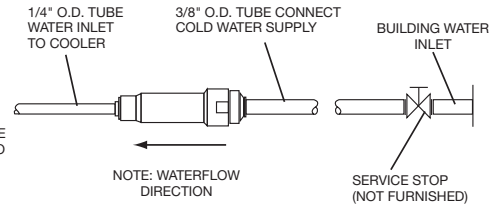
INSTALLER NOTE

THIS DRINKING FOUNTAIN IS FURNISHED WITH A BUBBLER AND WATERWAY WITH ALL CONNECTING FITTINGS WHICH ARE MANUFACTURED OF COMPLETELY LEAD FREE MATERIAL. SHUT OFF VALVE (NOT FURNISHED) TO ACCEPT 3/8" O.D. UNPLATED COPPER TUBE.

OPERATION OF QUICK CONNECT FITTINGS

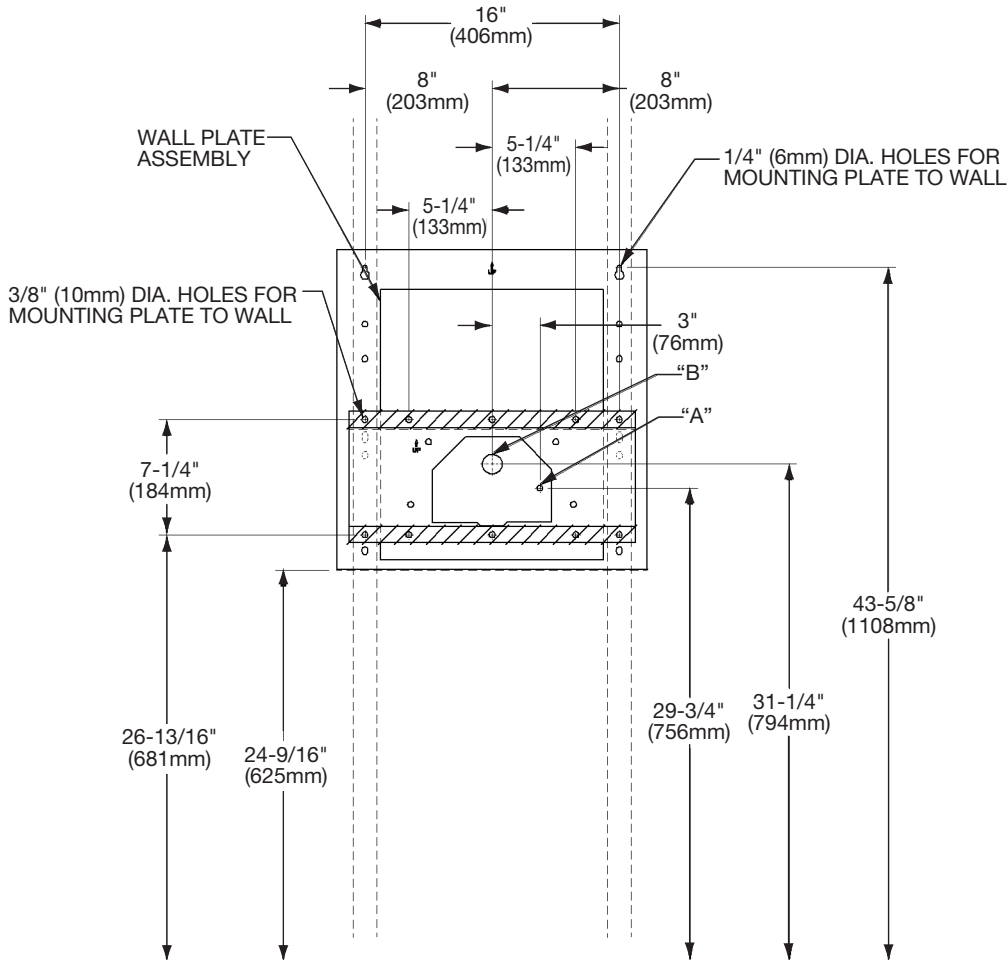


PUSHING TUBE IN BEFORE PULLING IT OUT HELPS TO RELEASE TUBE



When installing EHWM214C which includes a surface mounting plate, refer to the diagrams shown below.

For electrical, waste, and water supply locations refer to the Installation/Owners manual.



LEGEND

A = Recommended water supply location 3/8" O.D. unplated copper tube connect, stubbed 1-1/2" (38mm) from the wall. Shut off by others.

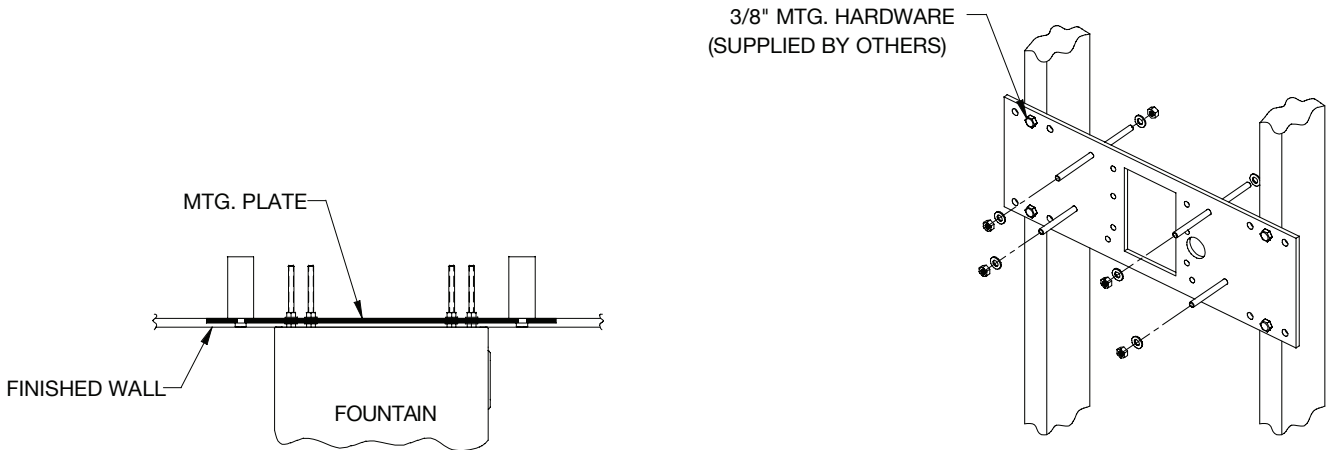
B = Recommended location for waste outlet 1-1/4" O.D. drain, stubbed 6-5/8" (168mm) from the wall.

**Heavy Duty 14 Gauge Drink Fountain
Wall Mount, Fully Exposed
Barrier-Free Access
Model EHW214C with MPW101**

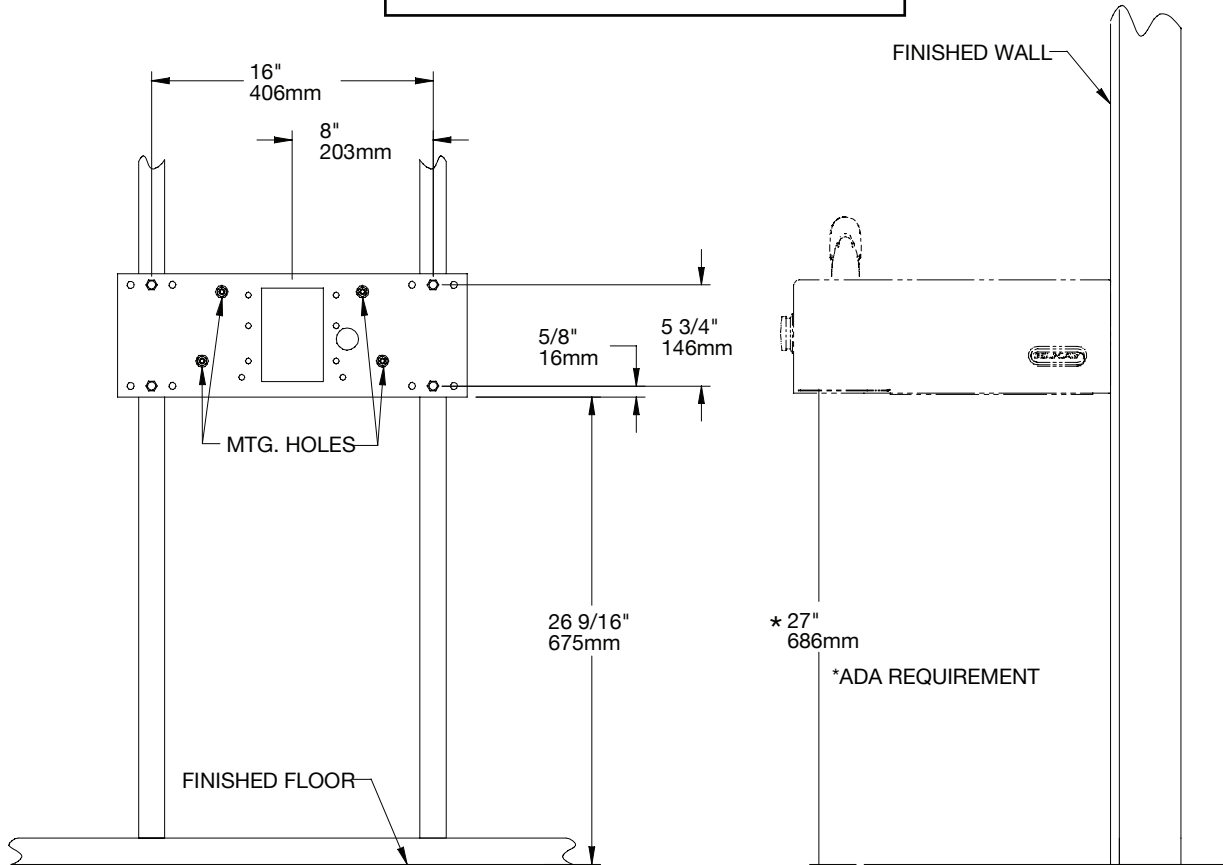
**ELKAY®
ROUGH-IN DIMENSIONS**

When installing EHW214C with MPW101 in-wall plate mounted directly to wall studs, refer to the diagrams shown below.

For electrical, waste, and water supply locations refer to the Installation/Owners manual.



Note – After installation, threaded rods may need to be trimmed.



In keeping with our policy of continuing product improvement, Elkay reserves the right to change product specifications without notice. Please visit elkayusa.com for most current version of Elkay product specification sheets.

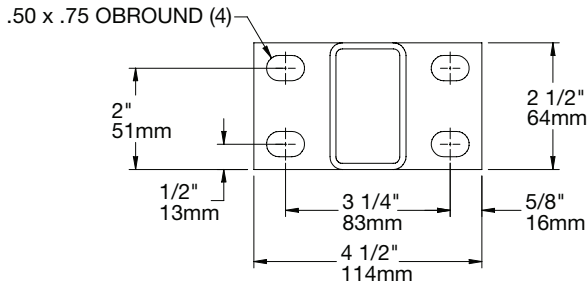
This specification describes an Elkay product with design, quality and functional benefits to the user. When making a comparison of other producers' offerings, be certain these features are not overlooked.

**Heavy Duty 14 Gauge Drink Fountain
Wall Mount, Fully Exposed
Barrier-Free Access
Model EHW214C with MPW101 & ML100**

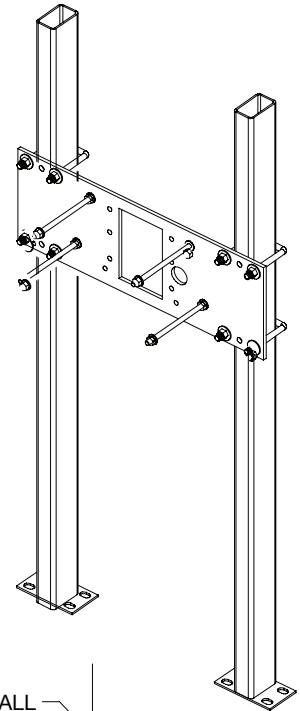
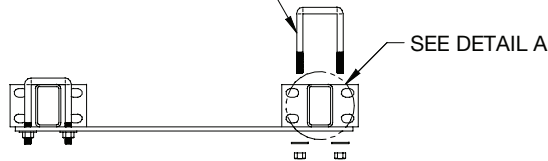
**ELKAY®
ROUGH-IN DIMENSIONS**

When installing EHW214C with MPW101 in-wall plate and ML100 support legs, refer to the diagrams shown below.

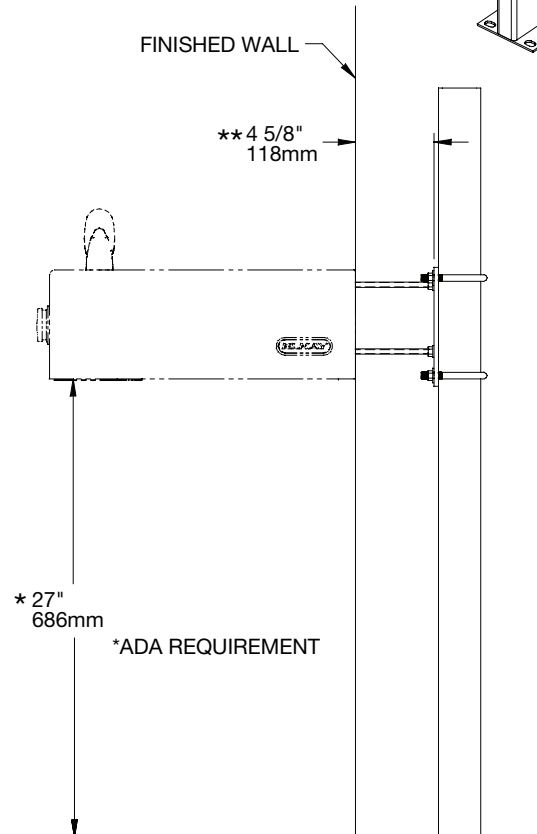
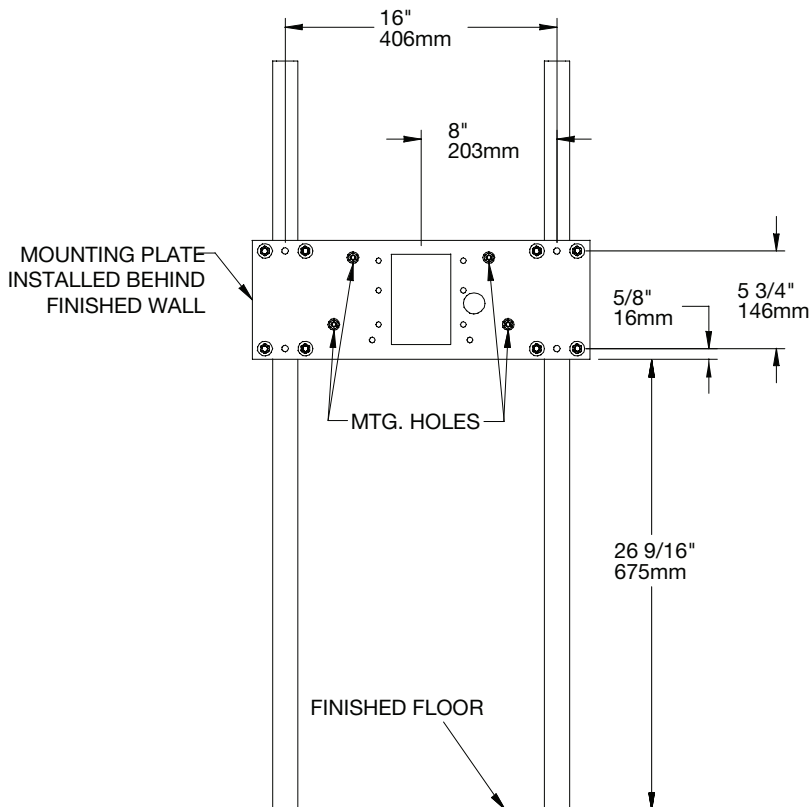
For electrical, waste, and water supply locations refer to the Installation/Owners manual.



U-BOLTS ARE INCLUDED WITH ML100 (SUPPORT COLUMNS)



Note - After installation, U-bolts and threaded rods may need to be trimmed.



**WITH STANDARD STUD LENGTH OF 6 INCHES