

H1001.8HPS

Barrier-Free Wall Mounted Electric Drinking Fountain



FEATURES & BENEFITS

Back Panel

Stainless steel back panel helps to protect the wall from inadvertent splashing, and its decorative satin finish increases location visibility and completes the fountain's attractive appearance.

Quality Control

Fountain is pre-built and fully water and pressure tested to ensure no leaks and proper function for reduced installation time and added peace of mind.

Construction

18 gauge Type 304 Stainless Steel fountain with attractive and functional swirl bowl design, along with a vandal-resistant bottom plate provides a long lasting unit with added peace of mind.

Bubbler Head

Polished chrome-plated brass bubbler head with integral laminar flow prevents splashing and provides a superior flow pattern. The integral basin shank and inserted roll pin adds vandal resistance strength to the design, and the shielded angled stream orifice produces a steady sanitary source of water.

Push Button

With its patented (Pat.# 6,981,692) push-button valve assembly which allows for front access stream adjustment as well as cartridge and strainer access, this fountain offers the ultimate in ease of maintenance.



OPTIONS

- Filter: Model 6426, 12" x 2", in-line lead removal element that reduces lead from incoming water supply.

SPECIFICATIONS

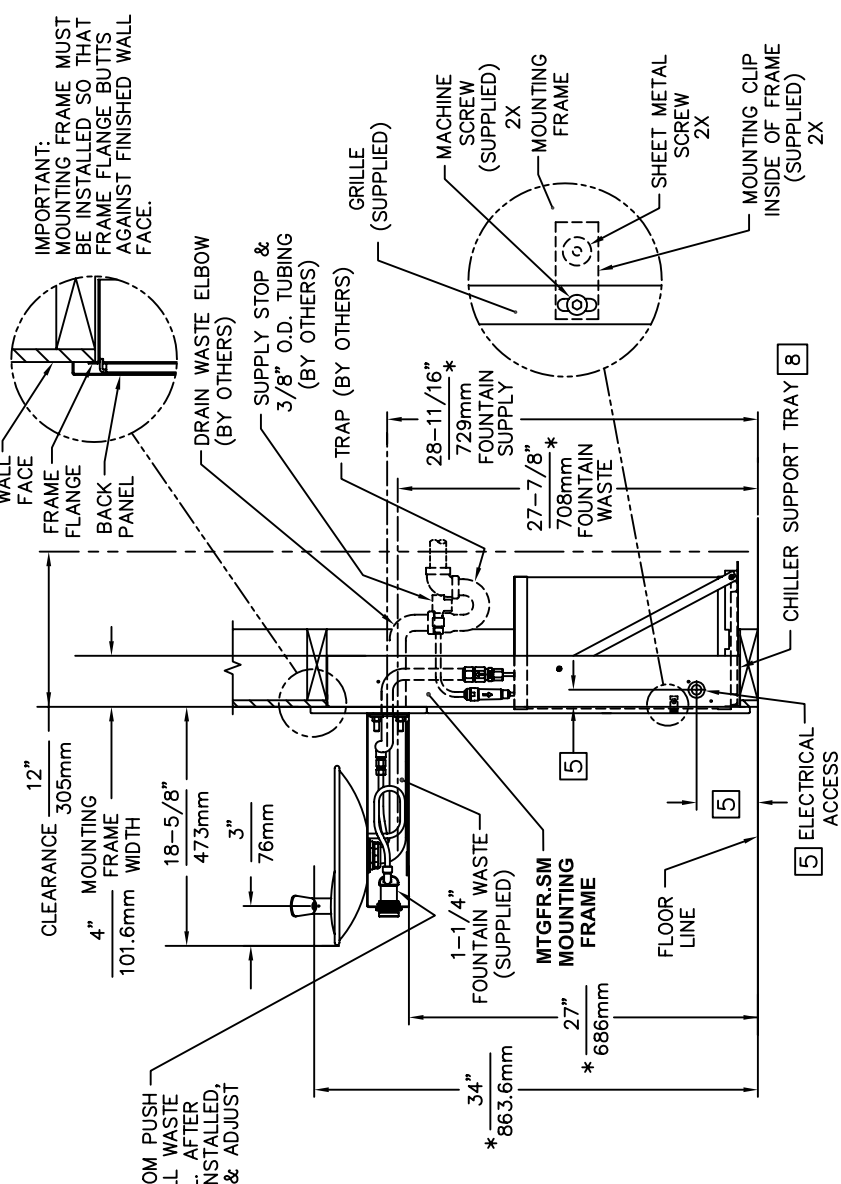
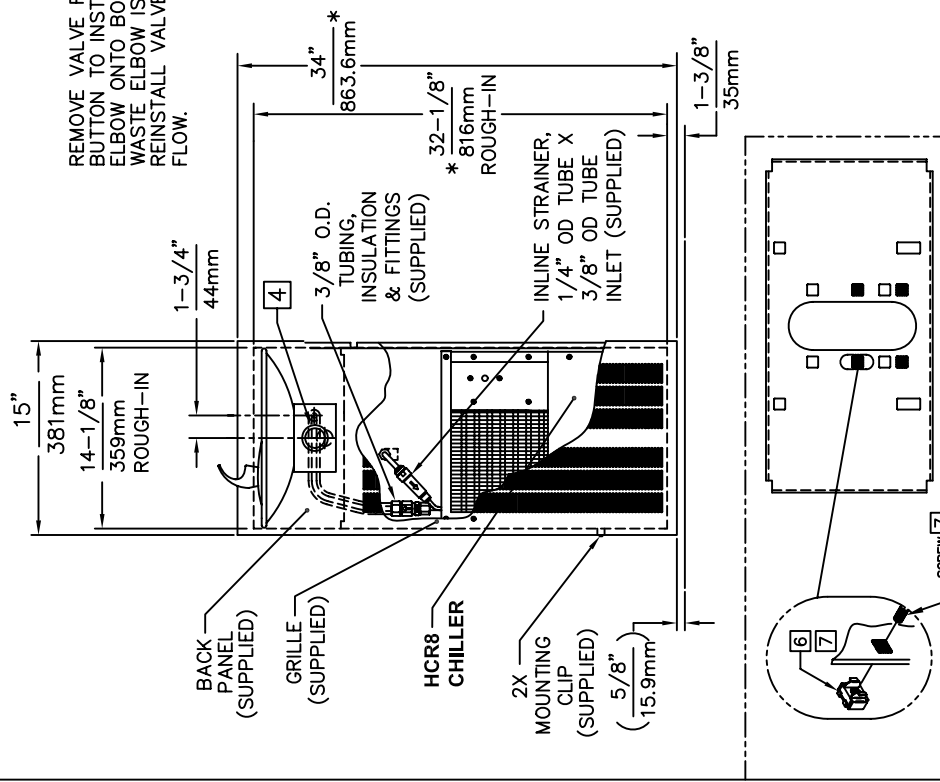
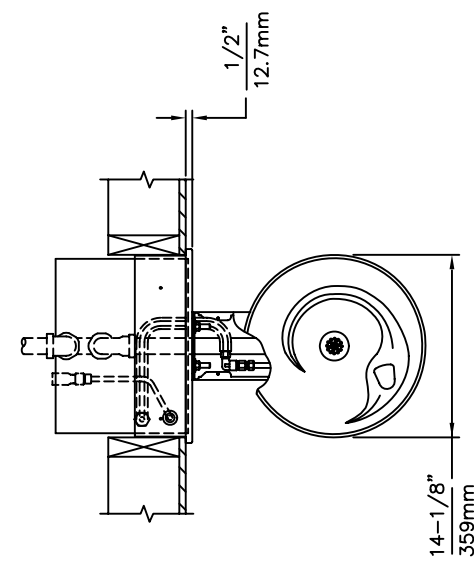
Model H1001.8HPS electric wall mounted barrier-free drinking fountain shall include an 18 gauge Type 304 polished stainless steel finish basin with integral swirl design, push-button operated valve with front-accessible cartridge and flow adjustment, polished chrome-plated brass vandal-resistant bubbler head with integral laminar anti-squirt flow, chrome-plated brass vandal-resistant waste strainer, vandal-resistant bottom plate, polished stainless steel finish back panel and louvered intrusion-proof grill, and 1-1/4" O.D. waste pipe. The R-134a refrigeration system is hermetically sealed and delivers a minimum of 8 gph (30.3 lph) of water at 50°F (10°C) cooled from 80°F (26.7°C) inlet water at 90°F (32.2°C) ambient. 115 Volts, 60Hz, rated watts: 370, full load amps: 5.

APPLICATIONS

Perfect for either public or private settings, our stainless steel electric drinking fountains are a great fit in indoor environments. This series is precisely mounted, making it a nice addition to any surrounding. Specifically, this type fountain may be placed in settings such as: schools, office buildings, shopping malls, and other indoor environments where there is a demand for a chilled water source and/or wheel chair access.

Model meets all current Federal Regulations for the disabled including those in the Americans with Disabilities Act. Electric water coolers are not recommended or designed for outdoor applications or enclosed pool areas (chlorine). These conditions may void warranty. Haws manufactures drinking fountains, electric water coolers and electric drinking fountains to be lead-free by all known definitions including ANSI/NSF Standard 61, Section 9, California Proposition 65, and the Federal Safe Drinking Water Act. Haws electric water coolers comply with ARI Standard 1010 and ANSI A117.1, and be listed by Underwriter Laboratories to U.S. and Canadian standards.





IMPORTANT:
MOUNTING FRAME MUST BE INSTALLED SO THAT FRAME FLANGE BUTTS AGAINST FINISHED WALL FACE.

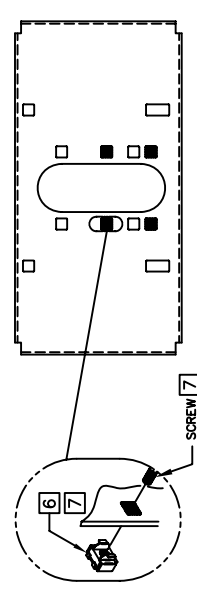
NOTES:

1. HOLD ROUGH-IN DIMENSIONS $\pm 1/8"$ (3.2mm).
2. WHEN INSTALLING THIS UNIT, LOCAL, STATE, OR FEDERAL CODES SHOULD BE ADHERED TO. FOR DIMENSIONS (LOCATIONS), WASTE AND SUPPLY REQUIREMENTS OTHER THAN SHOWN, DIMENSIONS MARKED (*) MUST BE ADJUSTED ACCORDINGLY.
3. INSTALLER MUST PROVIDE TRAP FOR PROPER INSTALLATION.
4. REFER TO 5874/VRK5874 OPERATION AND MAINTENANCE MANUAL FOR PUSH BUTTON AND VALVE INSTALLATION/MAINTENANCE INSTRUCTIONS.
5. REFER TO MTGFR-SM INSTALLATION DRAWING FOR ROUGH-IN DIMENSIONS.
6. INSERT $5/16"$ - 18 PANEL INSERTS FROM OPPOSITE SIDE AT LOCATIONS SHOWN BY DARKENED HOLES.
7. FOUNTAIN REMOVAL: FIRST REMOVE SCREWS AND THEN SQUEEZE CLIPS ON NUT RETAINER TO POP OUT. INSTALL IS REVERSE OF REMOVAL.
8. ALIGN HOLES IN CHILLER SUPPORT TRAY WITH HOLES IN FRAME AND FASTEN WITH #10 SHEET METAL SCREWS.

Haws Corporation
 INFO FAX : 1-888-FAX-HAWS (1-888-329-4297)
 1455 Kleppe Ln, Sparks NV, 89431
 Phone: 775-359-4712 Fax: 775-359-7424
 Haws Ag Bachweg 3 CH-3401 Burgdorf Switzerland
 Haws Mfg Pte Ltd 74 Sungai Kadut Road Singapore 729531
 e-mail: Haws@hawsco.com website: www.hawsco.com

REV. 13
 DATE: 07/97
 DRAWING NUMBER: 15099A00
 PART NUMBER: 0002080246.D
 MODEL(S): H1001.8/H1001.8HPS
 INFO FAX DOC #: 2410018/24100184
 SCALE: 1:3
 DRAWING TYPE: INSTALLATION/FAKBACK

BOWL MOUNTING PATTERN DETAIL





INSTALLATION, OPERATION & MAINTENANCE INSTRUCTIONS

1455 Kleppe Lane ♦ Sparks, NV 89431-6467 ♦ (775) 359-4712 ♦ Fax (775) 359-7424
HAWS AG ♦ Bachweg 3 ♦ CH-3401 Burgdorf ♦ Switzerland
Haws Mfg. Pte Lt. ♦ 2A Sungei Kadet Drive ♦ Singapore 729554
Avlis-Avenida Senador, Testonio Vilela ♦ 505 Jardim Aeroporto ♦ Itu, S.P. 13304-550 ♦ Brasil
E-mail: haws@hawsco.com ♦ website: www.hawsco.com

No. 2080246(13)

Model H1001.8/H1001.8HPS Water Cooler

NOTE TO INSTALLER: Please leave this information with the Maintenance Department.

A ground-fault circuit breaker shall be installed in the branch circuit supplying fountain equipment. NEC680-51(a).

CAUTION! Prior to making any electrical connections, verify with a voltmeter that power from the service panel is **off**.

LIMITED WARRANTY

HAWS® warrants that all of its products are guaranteed against defective material or poor workmanship for a period of **one year from date of shipment**. HAWS liability under this warranty shall be discharged by furnishing without charge F.O.B. HAWS Factory any goods, or part thereof, which shall appear to the Company upon inspection to be of defective material or not of first class workmanship, provided that claim is made in writing to company within a reasonable period after receipt of the product. Where claims for defects are made, the defective part or parts shall be delivered to the Company, prepaid, for inspection. HAWS will not be liable for the cost of repairs, alterations or replacements, or for any expense connected therewith made by the owner or his agents, except upon written authority from HAWS, Sparks, Nevada. HAWS will not be liable for any damages caused by defective materials or poor workmanship, except for replacements, as provided above. Buyer agrees that Haws has made no other warranties either expressed or implied in addition to those above stated, except that of title with respect to any of the products or equipment sold hereunder and that HAWS shall not be liable for general, special, or consequential damages claimed to arise under the contract of sale. The drinking fountain manufactured by HAWS is warranted to function if installation and maintenance instructions provided are adhered to. The units also must be used for the purpose for which they were intended.

NO OTHER WARRANTIES EXPRESSED OR IMPLIED ARE AUTHORIZED, PROVIDED OR GIVEN BY HAWS.

SHOULD YOU EXPERIENCE DIFFICULTY WITH THE INSTALLATION OF THIS MODEL, PLEASE CALL:

1-800-766-5612

FOR PARTS CALL:

1-800-758-9378

**(U.S.A. AND CANADA ONLY) MONDAY-THURSDAY: 6:00 A.M. – 4:00 P.M. PST
FRIDAY: 6:00 A.M – 1:00 P.M. PST**

RECOMMENDED TOOLS: Hack saw, pipe joint sealant, screwdriver, level, 12" adjustable wrench, 10" pipe wrench, 3/32" and 5/32 " hex key wrench, 9/16", 1/2", 7/16" socket wrench or open end wrench.

LOCATION OF UNIT: The Model H1001.8/H1001.8HPS Cooler is a wheelchair accessible drinking facility. The height dimensions shown, meet current ADA requirements. When installing this unit, local, state or federal codes should be adhered to. If height other than shown is required, then dimensions must be adjusted accordingly.

SUPPLY LINE: The minimum recommended line size is 1/2"IPS with 30-90 psi (2-6 ATM) flowing pressure. Where sediment or mineral content is a problem, an inlet filter is recommended.

PLUMBING CONNECTIONS: Inlet is 3/8" O.D. tube. Waste elbow outlet is 1-1/4" O.D. tube.

ELECTRICAL CONNECTIONS: 115VAC, 60HZ, 4.7 AMPS. Chiller wired direct to incoming line, by others.

| PARTS LIST | | |
|----------------------|-----------------|--|
| MODEL PACKAGE | QUANTITY | ITEMS INCLUDED |
| MTGFR.SM | 1 | Mounting Frame |
| | 3 | #10 Sheet Metal Screws |
| HCR8 | 1 | Chiller |
| H1001.8/H1001.8HPS | 1 | Bowl Assembly |
| | 1 | Package supply tubing and two (2) fittings |
| | 1 | Grille |
| | 1 | Package of two each-grille attachment clips, clip nuts, #10 sheet metal screws and 6-32 screws |
| | 4 | 5/16 -18 retainer nuts |
| | 4 | 5/16 – 18 x 1 hex head screws |
| | 1 | Waste elbow 1-1/4" O.D. |

INSTALLATION PROCEDURE

GENERAL NOTES:

The Model H1001.8/H1001.8HPS Water Cooler assembly requires installation of the mounting frame as described in Steps 1 - 2, then mounting the fountain bowl assembly as described in Steps 3 - 6, and finally completing chiller water and electrical connections and starting chiller per Steps 7 - 11. First check that all required parts are received.

Grounding may cause electrical feedback into the electric drinking fountain causing an electrolysis, which creates a metallic taste or an increase in the metal content of the water. This condition can be avoided by using dielectric couplings in the assembly. The waste line, which is supplied by the installer, should also have a dielectric (plastic) coupling to completely isolate the assembly from the building plumbing system.

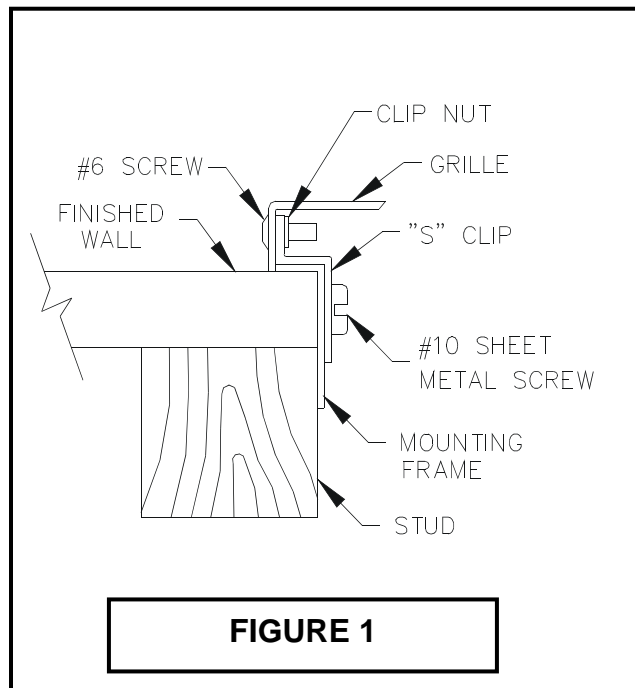
For all plastic push-in type fitting connections; push tubing into fitting until it bottoms out to ensure a watertight connection. To remove, depress the collet and pull tubing out.

INSTALLATION PROCEDURE...

- Step 1:** Provide wall opening as detailed in Installation Drawing. Frame must be positioned such that frame flanges overlap and butt against finished wall surface. Mounting holes are provided for #6 sheet metal screws. After frame is positioned in wall, swing chiller support tray into position (See Installation Drawing), align tray holes with holes in frame and fasten with #10 sheet metal screws. Mounted frame must support 50 pound chiller in addition to fountain weight and user generated forces.
- Step 2:** Install waste, supply and electrical lines in locations shown in Installation Drawing. Waste and supply lines may be installed for either rear or side entry. Verify proper waste, supply, electrical and frame locations. Use level to verify horizontal and vertical frame mounting to insure proper bowl drainage.
- Step 3:** Installation Drawing shows fountain bowl, back panel and grille locations. Unpack bowl and remove bottom plate using 3/32" hex allen wrench. Install back panel on frame with narrower edge to bottom. Position nut retainers into mounting frame and use two 5/16-18x1 hex head screws partially started in outside holes to support panel. Install bowl/bracket assembly onto panel using four 5/16-18x1 hex head screws hand tightened. See sheet 2 of Installation Drawing for appropriate bowl mounting pattern to use for this model
- Step 4:** Remove 1-1/2" IPS outlet elbow from trap (not supplied). Install elbow inside frame onto waste stub-outs. Reassemble trap "U" bend with inlets centered behind fountains.
- Step 5:** Remove slip joint nuts from bottom of fountain waste outlet. Assemble nut over 1-1/4" O. D. end of waste elbow as supplied by Haws. Assemble waste elbow onto bowl waste body using seal washer provided and tighten nut hand tight. Measure vertical distance down to trap inlet and cut the vertical (not supplied) elbow to length allowing 1/2" minimum for engagement into trap. Mark and similarly cut to length the horizontal waste elbow. Install elbow and tighten all the slip joint nuts.
- Step 6:** See Figure 2 for detail section view of side screw grille attachment. Unpack grille and insert upper lip behind bottom of back panel, align sides and hold up flush to bottom of back panel. Hold grille against wall and mark centers of grille side slots on wall. Masking tape may be used to prevent finished wall damage from mark. Install the "s" clips in mounting frame using #10 sheet metal screws into pre-drilled holes on lower end of each side of frame. Tighten #10 screw while holding "s" clips centered on wall marks. Check grille fit by installing grille and partially tightening #6-23 socket head screws through side of grille. Insure proper panel and grille alignment, then tighten four 5/16-18x1 hex head screws.
- Step 7:** Unpack and remove chiller from carton. Remove front panel screws and panel. Do not remove insulating putty and foam from copper tubes or Styrofoam insulation from evaporator coil. Remove any inner packing, which may be around compressor. If applicable, remove junction box cover and electrical knock out on lower right side of housing. Install fittings (supplied) on chiller inlet and outlet tubes (See Installation Drawing).

INSTALLATION PROCEDURE...

- Step 8:** Thoroughly flush supply line to remove all foreign matter. Connect 1/2" IPS supply screwdriver stop (not supplied) to stub-out in wall. Place chiller on chiller support tray against right hand side, fully to rear, with condenser (open panel) side facing to front. Install supply, 3/8" O.D. tubing (not supplied), between screwdriver stop (not supplied) and strainer at chiller inlet. (Cut tubing to proper length, and follow general notes for proper connection procedure for push-in style fittings). Tubing insulation is not normally required on inlet side of chiller. Install insulated tube (supplied) between fountain and chiller outlet. Cut tubes as required and connect to chiller outlet compression fitting. Open screwdriver stop wide open while checking for leaks at all connections. Also check waste for leaks.
- Step 9:** Adjust bubbler stream height using a small flat-head screwdriver inserted through a hole in the center of the push button. For increased flow turn clockwise and for decreased flow turn counterclockwise. If flow problems arise, see troubleshooting guide for additional instructions to correct problems. Bubbler stream may lower during short break-in period. Set initial stream height a little high to minimize or eliminate the need for break-in period readjustment.
- Step 10:** Verify that electrical power is off and power supply voltage, phase and cycle match specifications printed on chiller label. In accordance with local codes, wire directly to incoming lines at internal chiller junction box. Verify that all inner packing is removed and hand rotate fan blade to verify free rotation. Reattach chiller front panel. Turn power on and verify that chiller cycles off after water reaches proper temperature. Finally check for leaks.
- Step 11:** Install grille and tighten outer side screws. Verify there is chilled water out of bubbler.



MAINTENANCE

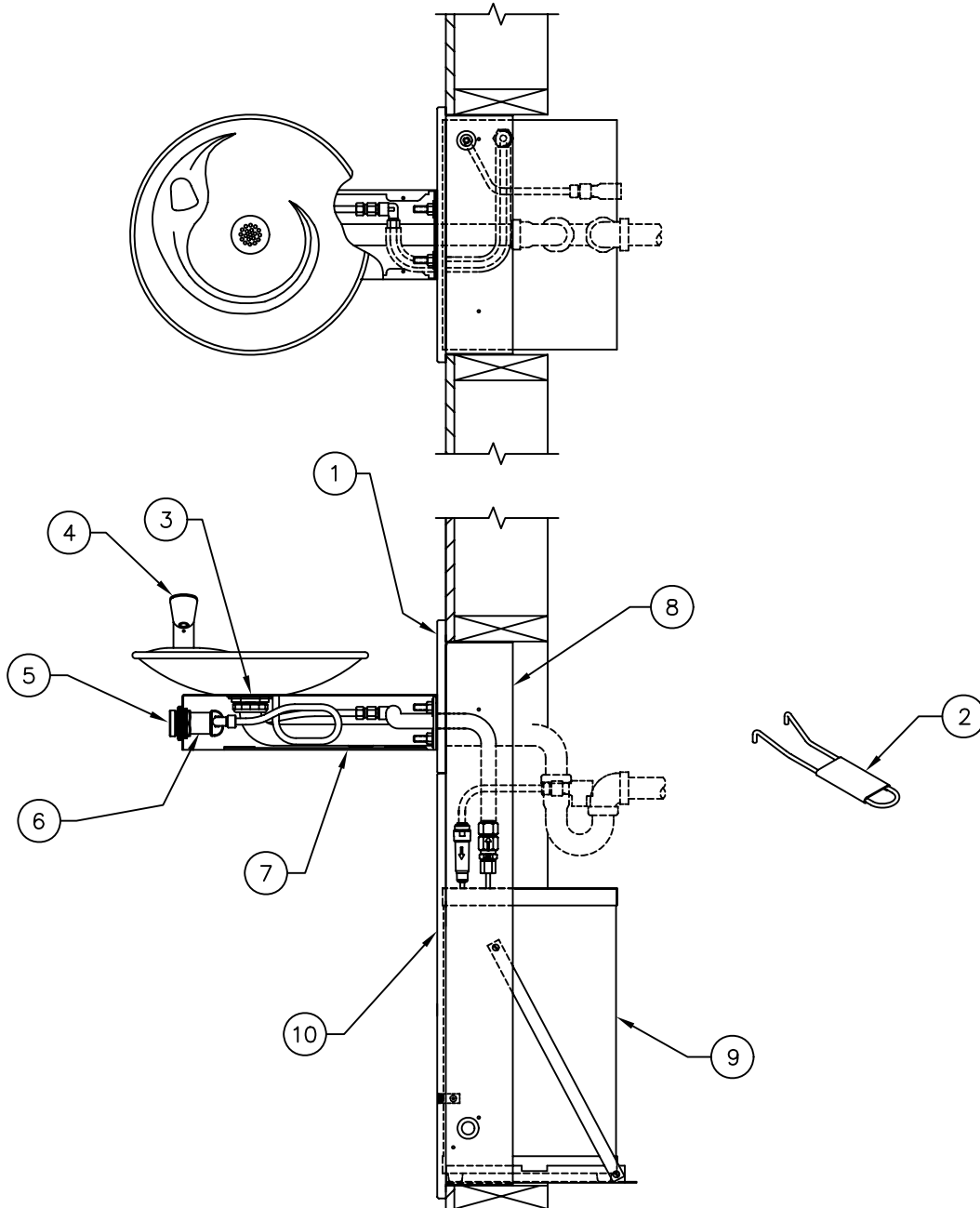
Step 1: The condenser fins on chiller should be periodically cleaned with brush, air hose or vacuum cleaner. Care should be taken not to bend or deform the condenser fins.

Step 2: The chiller temperature control is factory set for 50° F water under normal conditions. For colder water, adjust control clockwise. For warmer water, turn counterclockwise. Remove front chiller panel for access to temperature control. After adjustment allow unit to cycle off before checking outlet water temperature.

| TROUBLESHOOTING | |
|-------------------------------|---|
| PROBLEM | REPAIR CHECKLIST |
| 1. Insufficient bubbler flow. | 1a. Check that inlet screwdriver stop valve is in wide-open position. b. Verify minimum 30 psi flowing supply pressure. c. Clean strainer. See 5874 Valve Manual. d. Adjust valve to increase flow. Use front adjust screw or see 5874 Valve Manual. |
| 2. Water too warm or cold. | a. Adjust chiller temperature control, clockwise for colder water. |

| ITEM | MODEL | | DESCRIPTION |
|------|------------|------------|-----------------------|
| | H1001.8 | H1001.8HPS | |
| 1 | BP6 | BP6HPS | BACK PANEL |
| 2 | 0006983506 | 0006983506 | SPANNER WRENCH |
| 3 | 6463 | 6463PCP | STRAINER ASSY |
| 4 | 5705 | 5705 | HEAD W/LAMINAR INSERT |
| 5 | PBA6 | PBA6 | PUSH BUTTON ASSY |
| 6 | 5874 | 5874 | VALVE |
| 7 | PBM1000 | PBM1000 | ACCESS PLATE |
| 8 | MTGFR.SM | MTGFR.SM | MOUNTING FRAME |
| 9 | HCR8 | HCR8 | CHILLER |
| 10 | 0002626701 | 0002626719 | GRILLE |

PARTS BREAKDOWN



**WHEN ORDERING
PARTS PLEASE
SPECIFY YOUR
MODEL NUMBER**

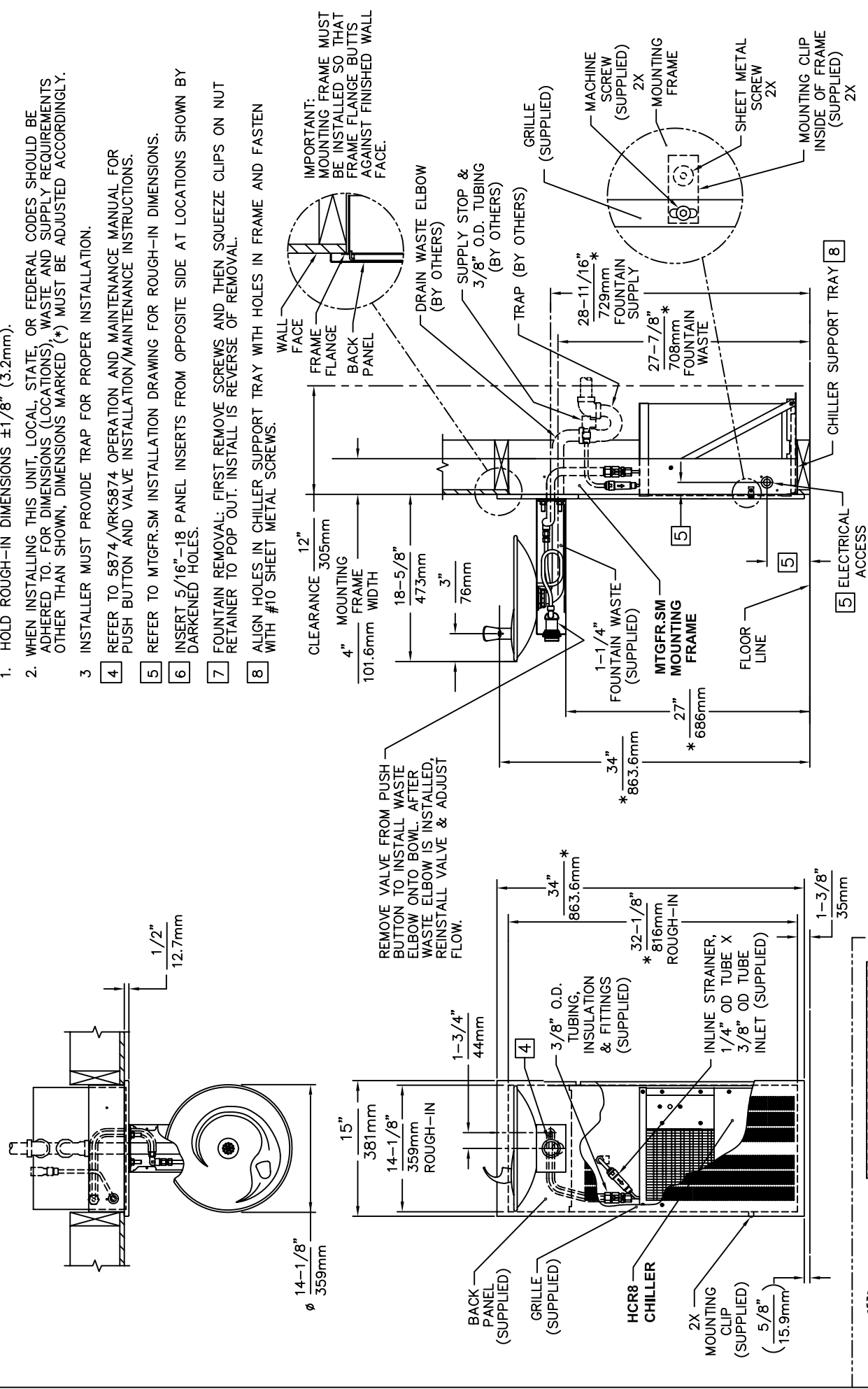


1455 KLEPPE LANE | BACHWEG 3
SPARKS, NEVADA | CH3401 BURGDORF
SWITZERLAND

| | | | | |
|-------------------------------|----------------|-----------|--------------------------|------------|
| DRAWN BY: RTM | DATE: 10/22/98 | CHECK BY: | APP'D BY: | SCALE: 1/5 |
| TITLE: H1001.8/H1001.8HPS | | | PART NUMBER: 0002080246 | |
| DRAWING TYPE: PARTS BREAKDOWN | | | DRAWING NUMBER: 13365C00 | REV. 13 |

NOTES:

1. HOLD ROUGH-IN DIMENSIONS $\pm 1/8"$ (3.2mm).
2. WHEN INSTALLING THIS UNIT, LOCAL, STATE, OR FEDERAL CODES SHOULD BE ADHERED TO. FOR DIMENSIONS (LOCATIONS), WASTE AND SUPPLY REQUIREMENTS OTHER THAN SHOWN, DIMENSIONS MARKED (*) MUST BE ADJUSTED ACCORDINGLY.
3. INSTALLER MUST PROVIDE TRAP FOR PROPER INSTALLATION.
4. REFER TO 5874/VRK5874 OPERATION AND MAINTENANCE MANUAL FOR PUSH BUTTON AND VALVE INSTALLATION/MAINTENANCE INSTRUCTIONS.
5. REFER TO MTGFR.SM INSTALLATION DRAWING FOR ROUGH-IN DIMENSIONS.
6. INSERT $5/16"$ -18 PANEL INSERTS FROM OPPOSITE SIDE AT LOCATIONS SHOWN BY DARKENED HOLES.
7. FOUNTAIN REMOVAL: FIRST REMOVE SCREWS AND THEN SQUEEZE CLIPS ON NUT RETAINER TO POP OUT. INSTALL IS REVERSE OF REMOVAL.
8. ALIGN HOLES IN CHILLER SUPPORT TRAY WITH HOLES IN FRAME AND FASTEN WITH #10 SHEET METAL SCREWS.



Haws Corporation
 INFO FAX : 1-888-FAX-HAWS (1-888-329-4297)
 1455 Kleppe Ln, Sparks NV, 89451
 Phone: 775-359-4712 Fax: 775-359-7424
 Haws Ag Bachweg 3 CH-3401 Burgdorf Switzerland
 Haws Mfg Pte Ltd 74 Sungai Kadut Loop Singapore 729531
 e-mail: Haws@hawsco.com website: www.hawsco.com

REV. NO. 13099A00
 REV. DATE 07/97
 DRAWING TYPE: INSTALLATION/FAKBACK
 SCALE: 1:1
 MODEL(S): H1001.8/H1001.8HPS
 INFO FAX DOC # 2410018/24100184
 PART NUMBER: 0002080246.D
 DRAWING NUMBER: 13099A00
 REV. 13

BOWL MOUNTING PATTERN DETAIL