



Water Coolers

THREE STATION FOUNTAIN

F703PM

Suggested Specification

Model F703PM three station fountain shall be white powder coat paint cast aluminum wall mounted drinking fountain. One-piece bubblers shall be activated by front mounted push buttons. Water regulation adjustments shall be accessible from the front of the fountain. Fountains shall be furnished with a bottom cover plate, 1 1/2" low inlet brass trap and built-in strainer. Fountains shall comply with ANSI 117.1 and ADA.

Model

F703PM Cast aluminum three station drinking fountain for direct connection to a cold water supply or to a remote water chiller. When properly installed, allows your facility to comply with ADA requirements.

Standard Features

- > Built-in 100 micron strainer stops particles before they enter the waterway
- > Flexible bubbler guard
- > Waterways are Lead-Free in Materials & Construction
- > Button for each station activates the water flow for the respective fountain.
- > White powder coat paint
- > Exclusive one-piece seamless vinyl clad stainless steel bubbler
- > Bottom cover plate
- > Low inlet brass trap
- > Product Certified to NSF/ANSI Standard 61, Annex G (AB1953)
- > Limited 1-Year Warranty

Finishes

- > Standard cabinet finish: White powder coat paint

Installation

- > Prior to roughing-in, consult local, state and federal codes for proper mounting height.
- > Shipped with complete instructions.



ADA Compliant



Components in this fountain are lead free as defined by the Safe Drinking Water Act Amendments of 1986, and the Lead Contamination Control Act of 1988.

Limited 1-Year Warranty (Continental limits of the United States and Canada): One year from date of installation on parts only.

Powder Coated Finish Warranty (Continental limits of the United States and Canada); Three years on the powder coat finish provided that the fountain has not been subjected to abuse, misuse, or alteration.

Export Warranty: One year on component parts. Detailed warranty certificate enclosed with each drinking fountain; sample copy available upon request.

Product Certified to NSF/ANSI Standard 61, Annex G (weighted average lead content of <=0.25%) and is in compliance with California's Health & Safety Code Section 116875 (commonly known as AB1953).

Models covered by this specification comply with all known Plumbing Codes. Listed by Underwriters' Laboratories to U.S. and Canadian standards.

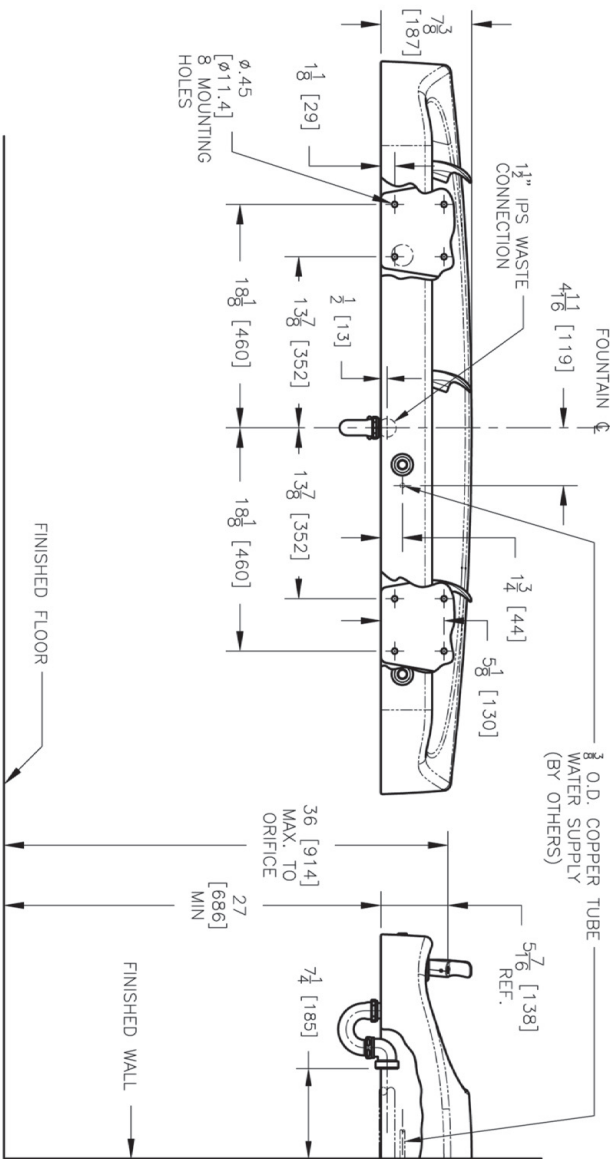
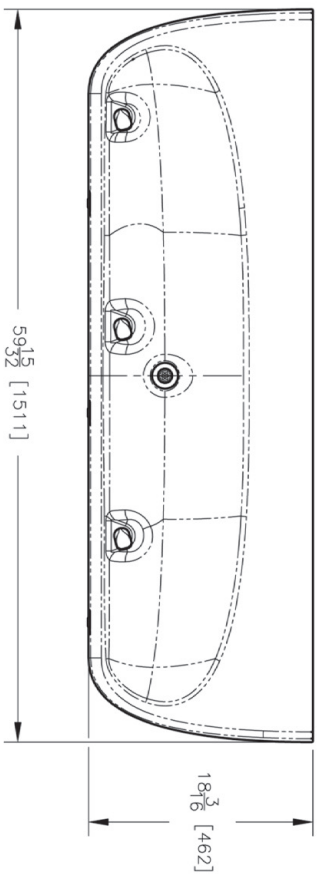


Certified to NSF/ANSI 61-G

Physical Dimensions In Inches

Model	Style	Height	Width	Depth	Extended From Wall	Net Weight Approx.
F703PM	3 station	7 3/8"	59 15/32"	18 3/16"	18 3/16"	67 lbs

OASIS™ TWO STATION DRINKING FOUNTAIN MODEL F703PM



1. FOR STUD WALL INSTALLATION, A CARRIER (NOT FURNISHED) IS RECOMMENDED. FOR MASONRY WALLS, USE ANCHORS (NOT FURNISHED) APPROPRIATE FOR WALL TYPE. MOUNTING HOLES IN FOUNTAIN WILL ACCOMMODATE 3/8" DIAMETER MOUNTING SCREWS.
2. REMOVE SCREWS THAT FASTEN FOUNTAIN BOTTOM ENCLOSURE. SAVE SCREWS.
3. CONNECT "P" TRAP WASTE OUTLET TO 1-1/2" WASTE LINE (NOT FURNISHED).
4. FLUSH BUILDING WATER SUPPLY BEFORE CONNECTING TO FOUNTAIN.
5. INSTALL A SHUT OFF VALVE IN COLD WATER SUPPLY LINE. CONNECT COLD WATER SUPPLY LINE TO 3/8" STUB TUBE CONNECTION. A CLEANABLE STRAINER IS PROVIDED IN THE STUB TUBE INLET. THIS CONNECTION SHOULD NOT BE A SOLDER OR FLARE JOINT TO ALLOW FUTURE ACCESS TO STRAINER.
6. TURN ON WATER SUPPLY AND CHECK FOR LEAKS.
7. REPLACE BOTTOM ENCLOSURE.

NOTES:

ALL DIMENSIONS ARE IN INCHES. DIMENSIONS IN PARENTHESES [] ARE IN MILLIMETERS.
 RECOMMENDED HEIGHT INSTALLATIONS ARE SHOWN. ADJUST VERTICAL DIMENSIONS AS REQUIRED TO COMPLY WITH FEDERAL, STATE AND LOCAL CODES.
 TO AID IN THE REMOVAL OF THE STRAINER FOR CLEANING OR REPLACEMENT, A SCREW MAY BE LIGHTLY THREADED INTO THE STRAINER OPENING.
 TRI PALM CANNOT BE RESPONSIBLE FOR PROBLEMS ARISING FROM ANY INSTALLATION IN WHICH THESE INSTRUCTIONS HAVE NOT BEEN EXPLICITLY FOLLOWED. ANY ALTERATION OR MODIFICATION TO THE PRODUCT AUTOMATICALLY VOIDS THE MANUFACTURER'S WARRANTY.
 THE FOLLOWING STATES REQUIRE A LICENSED PLUMBER TO INSTALL FOUNTAIN: AR, GA, MA, MI, OK, RI, SC, SD, TX, VT AND WI. CA, KS, MN, NM, AND OR ALLOW FOR A STATE REGISTERED INSTALLER OR CONTRACTOR AS WELL. STATE AND LOCAL PLUMBING CODES MAY PROHIBIT THE USE OF SADDLE TAPPING VALVES FOR WATER LINE CONNECTION IN SOME APPLICATIONS. ALL CONNECTIONS MUST CONFORM TO APPLICABLE PLUMBING CODES.



THIRD ANGLE PROJECTION

ROUGHING-IN
AND
DIMENSIONAL DRAWING