

# 1105

## Wall Mounted Drinking Fountain



### FEATURES & BENEFITS

#### Bubbler Head

Polished chrome-plated brass bubbler head features an integral basin shank for added strength, and is equipped with a shielded, anti-squirt orifice that provides a steady sanitary source of water.

#### Finish

Beautiful #4 satin stainless steel finish basin can be easily cleaned and maintained while also resisting corrosion.

#### Integrated Trap

Spacious fountain design allows for the trap to be internally mounted which allows for easy access, and aids and reduces the installation process.

#### Construction

18 gauge Type 304 Stainless Steel construction with vandal-resistant bottom plates provides a long lasting unit with added peace of mind.

#### Quality Control

Fountain is pre-built and fully water and pressure tested to ensure no leaks and proper function for reduced installation time and added peace of mind.

#### Push Button

With its patented (Pat.# 6,981,692) push-button valve assembly which allows for front access stream adjustment as well as cartridge and strainer access, this fountain offers the ultimate in ease of maintenance.



### SPECIFICATIONS

Model 1105 wall mounted drinking fountain shall include an 18 gauge Type 304 Stainless Steel satin finish basin, push-button operated valve with front accessible cartridge and flow adjustment, polished chrome-plated brass vandal-resistant bubbler head, polished chrome-plated brass vandal-resistant waste strainer, vandal-resistant bottom plate, and 1-1/4" IPS trap.

### OPTIONS

- Bubbler Head: Model 5725 EnviroGard™ bubbler is a polished chrome-plated solid brass bubbler head with stainless steel water activated pop up canopy. (Pat.# 7,025,282)
- Filter: Model 6426, 12" x 2", in-line lead removal element that reduces lead from incoming water supply.
- Back Panel: Model BP3, satin finish stainless steel back panel.
- Mounting: Model 6700 universal mounting plate for most wall mounted fountains.

To see all options for this model, visit [www.hawsc.com](http://www.hawsc.com).

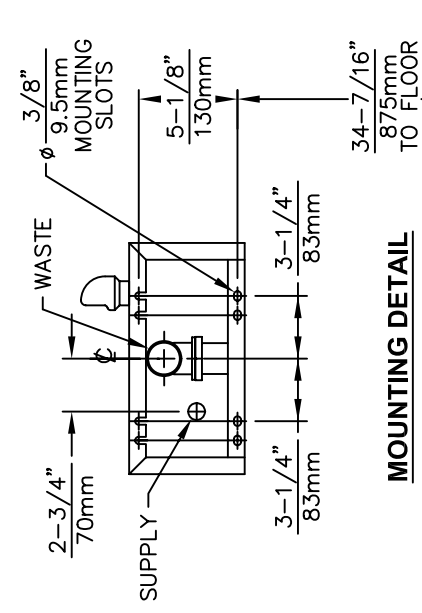
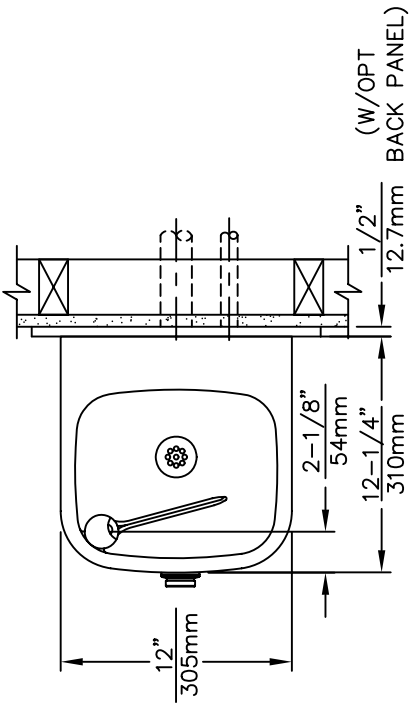
### APPLICATIONS

Perfect for either public or private indoor/outdoor settings, Model 1105 is a great fit in areas where aesthetics are important to the overall appeal of the architecture. This series is precisely mounted, making it a nice addition to any surrounding. Beautiful satin finish helps to maintain the fountains overall appeal so it always remains looking as new as it did when it was installed. Specifically, this type of wall mounted drinking fountain may be placed in settings such as: schools and other locations in and around office buildings where the temperature remains above freezing.

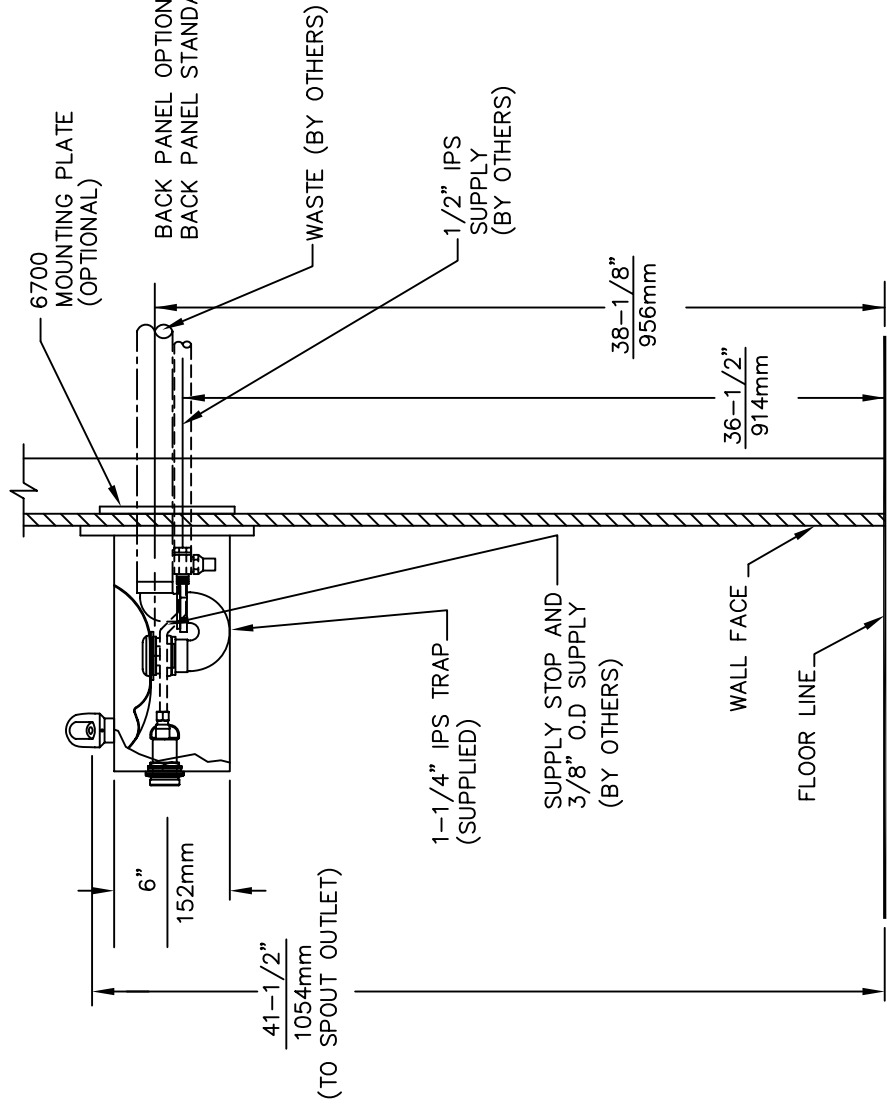
Haws manufactures drinking fountains, electric water coolers and electric drinking fountains to be lead-free by all known definitions including ANSI/NSF Standard 61, Section 9, California Proposition 65, and the Federal Safe Drinking Water Act.



THIS DOCUMENT IS TRUE AND CORRECT AT TIME OF PUBLICATION. CONTINUED PRODUCT IMPROVEMENTS MAKE SPECIFICATIONS AND MEASUREMENTS SUBJECT TO CHANGE WITHOUT NOTICE.



**MOUNTING DETAIL**



BACK PANEL OPTIONAL ON 1105  
BACK PANEL STANDARD ON 1105BP

MOUNTING PLATE  
(OPTIONAL, HAWS 6700)

**NOTES:**

- [1] REFER TO 5874/VRK5874 OPERATION AND MAINTENANCE MANUAL FOR PUSH BUTTON AND VALVE INSTALLATION/MAINTENANCE INSTRUCTIONS

INFO FAX : 1-888-FAX-HAWS (1-888-329-4297)  
1455 Kleppe Ln, Sparks NV, 89431  
Phone: 775-359-4712 Fax: 775-359-7424  
Haws Ag, Bachweg 3, CH-3401 Burgdorf Switzerland  
Haws Mfg Pte Ltd 174 Sungai Kadut Loop Singapore 729531  
e-mail: haws@hawsco.com website: www.hawsco.com

FOR NO.	REVISED PER	ISS.	MODEL(S)
000000	ECN: 4119	WFE	1105/1105BP/1105A
DATE:	DATE:	BY:	INFO. FAX. DOC. #:
12/97	12/97	13527A00	1105
APPROVED:	DATE:	SCALE:	TRAINING TYPE:
		1:1	INSTALLATION/FABRICATION
		SIZE: A	SHEET 1 OF 1



## INSTALLATION, OPERATION & MAINTENANCE INSTRUCTIONS

1455 Kleppe Lane ♦ Sparks, NV 89431-6467 ♦ (775) 359-4712 ♦ Fax (775) 359-7424  
HAWS AG ♦ Bachweg 3 ♦ CH-3401 Burgdorf ♦ Switzerland  
Haws Mfg. Pte Lt. ♦ 2A Sungei Kadet Drive ♦ Singapore 729554  
Avlis-Avenida Senador, Testonio Vilela ♦ 505 Jardim Aeroporto ♦ Itu, S.P. 13304-550 ♦ Brasil  
E-mail: [haws@hawsco.com](mailto:haws@hawsco.com) ♦ website: [www.hawsco.com](http://www.hawsco.com)

No. 2076524(9)

### Model 1105/1105BP/1105A Drinking Fountain

**NOTE TO INSTALLER:** Please leave this information with the Maintenance Department.

#### LIMITED WARRANTY

HAWS® warrants that all of its products are guaranteed against defective material or poor workmanship for a period of **one year from date of shipment**. HAWS liability under this warranty shall be discharged by furnishing without charge F.O.B. HAWS Factory any goods, or part thereof, which shall appear to the Company upon inspection to be of defective material or not of first class workmanship, provided that claim is made in writing to company within a reasonable period after receipt of the product. Where claims for defects are made, the defective part or parts shall be delivered to the Company, prepaid, for inspection. HAWS will not be liable for the cost of repairs, alterations or replacements, or for any expense connected therewith made by the owner or his agents, except upon written authority from HAWS, Sparks, Nevada. HAWS will not be liable for any damages caused by defective materials or poor workmanship, except for replacements, as provided above. Buyer agrees that Haws has made no other warranties either expressed or implied in addition to those above stated, except that of title with respect to any of the products or equipment sold hereunder and that HAWS shall not be liable for general, special, or consequential damages claimed to arise under the contract of sale. The drinking fountain manufactured by HAWS is warranted to function if installation and maintenance instructions provided are adhered to. The units also must be used for the purpose for which they were intended.

**NO OTHER WARRANTIES EXPRESSED OR IMPLIED ARE AUTHORIZED, PROVIDED OR GIVEN BY HAWS.**

**SHOULD YOU EXPERIENCE DIFFICULTY WITH THE INSTALLATION OF THIS MODEL, PLEASE CALL:**

**1-800-766-5612**

**FOR PARTS CALL:**

**1-800-758-9378**

**(U.S.A. AND CANADA ONLY) MONDAY-THURSDAY: 6:00 A.M. – 4:00 P.M. PST  
FRIDAY: 6:00 A.M – 1:00 P.M. PST**

**RECOMMENDED TOOLS:** Hack saw, pipe joint sealant, screwdriver, level, 12" adjustable wrench, 10" pipe wrench, 5/64" hex key wrench, 9/16", 1/2", 7/16" socket wrench or open end wrench.

**LOCATION OF UNIT:** When installing Model 1105/1105BP/1105A Drinking Fountain, local, state or federal codes should be adhered to. If height other than shown is required, then dimensions must be adjusted accordingly.

**SUPPLY LINE:** The minimum recommended line size is 1/2"IPS with 30-90 psi (2-6 ATM) pressure. Where sediment or mineral content is a problem, an inlet filter is recommended.

**PLUMBING CONNECTIONS:** Inlet is 3/8"O.D. compression fitting. Waste outlet is female 1-1/4" IPS.

**MAINTENANCE:** Periodically clean the strainer. Refer to 5874 Valve Manual for more information.

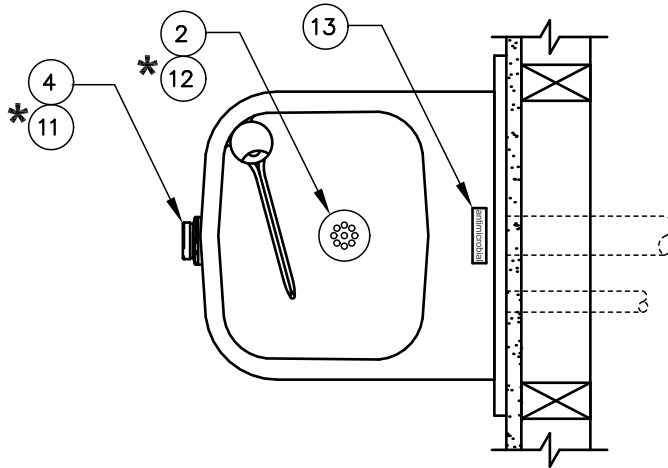
### TROUBLESHOOTING

PROBLEM	REPAIR CHECKLIST
1. Insufficient bubbler flow.	1a. Check that inlet screwdriver stop valve is wide open. (Customer supplied). Turn counterclockwise. b. Verify minimum 30 psi flowing supply pressure. c. Clean strainer. See 5874 Valve Manual. d. Adjust valve to increase flow. Use front adjust screw or see 5874 Valve Manual.

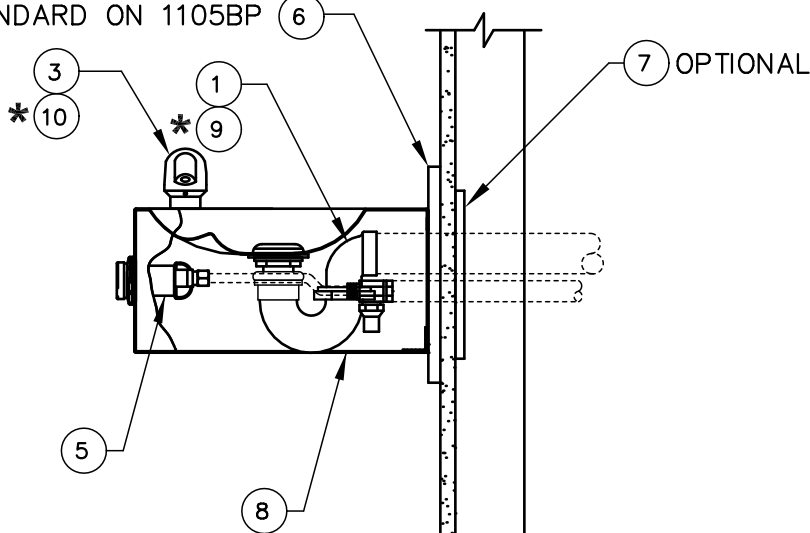
# PARTS BREAKDOWN

OPTIONAL

ITEM	DESCRIPTION
1	TRAP 0005982900
2	STRAINER ASSEMBLY 6462
3	BUBBLER HEAD 5703M
4	PUSH BUTTON ASSEMBLY PBA6
5	VALVE 5874
6	BACK PANEL BP3
7	MOUNTING PLATE 6700
8	ACCESS PLATE PBM1105
*9	TRAP ANTIMICROBIAL 0005982901
**10	HEAD ANTIMICROBIAL 5703MA
**11	BUTTON ANTIMICROBIAL PBA6A
**12	STRAINER ANTIMICROBIAL 6462A
**13	LABEL ANTIMICROBIAL 000314795



OPTIONAL ON 1105/1105A  
STANDARD ON 1105BP



**NOTE:**

1.ASTERISK (\*) DENOTES PARTS WITH AN ANTIMICROBIAL COATING.

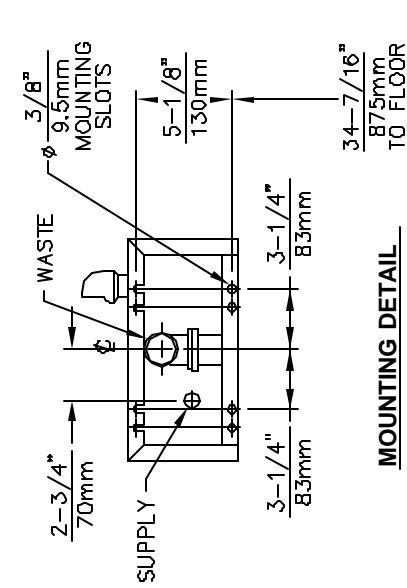
**WHEN ORDERING PARTS PLEASE SPECIFY YOUR MODEL NUMBER**



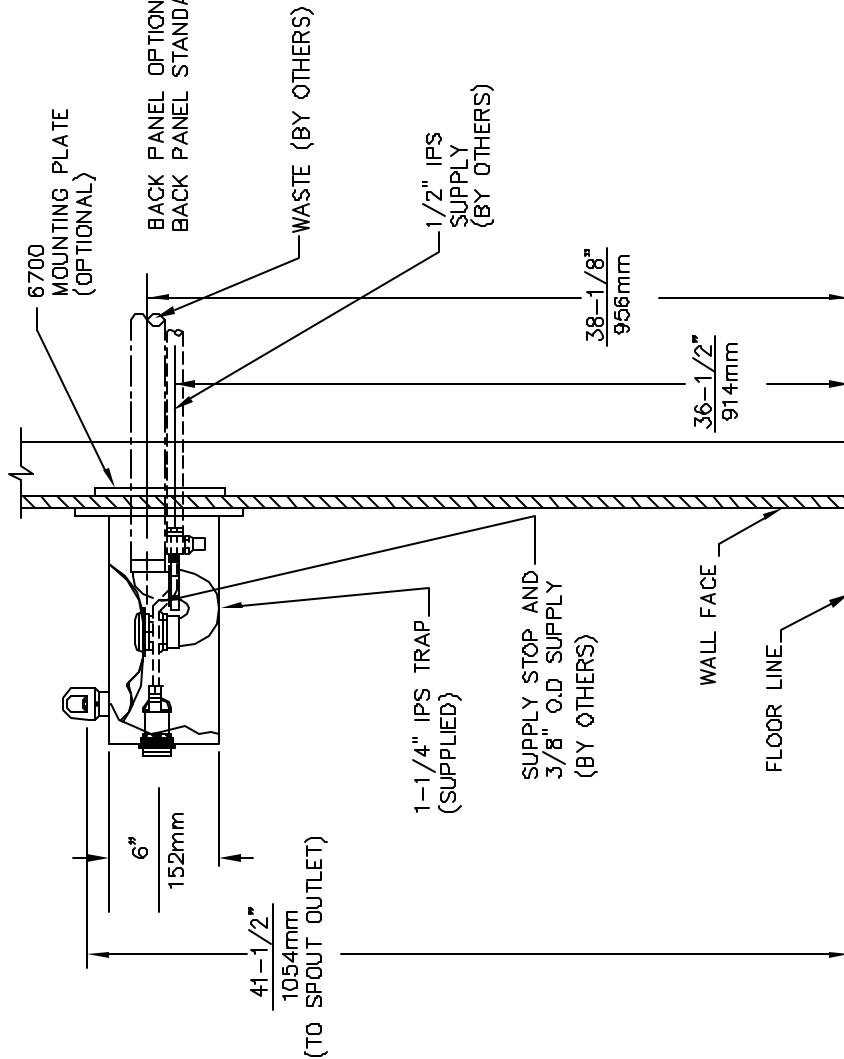
1455 KLEPPE LANE SPARKS, NEVADA BACHWEG 3 CH3401 BURGDORF SWITZERLAND

DRAWN BY: F. VASQUEZ	DATE: 04/10/98	CHECK BY:	APP'D BY:	SCALE: 1/4
TITLE: 1105/1105BP/1105A			PART NUMBER: 0002076524	
DRAWING TYPE: PARTS BREAKDOWN			DRAWING NUMBER: 13374C00	
				REV. 9

THIS DOCUMENT IS TRUE AND CORRECT AT TIME OF PUBLICATION. CONTINUED PRODUCT IMPROVEMENTS MAKE SPECIFICATIONS AND MEASUREMENTS SUBJECT TO CHANGE WITHOUT NOTICE.




**MOUNTING DETAIL**



**NOTES:**  
 1 REFER TO 5874/VRK5874 OPERATION AND MAINTENANCE MANUAL FOR PUSH BUTTON AND VALVE INSTALLATION/MAINTENANCE INSTRUCTIONS

BACK PANEL OPTIONAL ON 1105  
 BACK PANEL STANDARD ON 1105BP

**MOUNTING PLATE**  
 (OPTIONAL, HAWS 6700)



INFO FAX : 1-888-FAX-HAWS (1-888-329-4287)  
 1465 Kleppe Ln, Sparks NV, 89431  
 Phone: 775-359-4712 Fax: 775-359-7424  
 Haws Ag, Bachweg 3 CH-3401 Burgdorf Switzerland  
 Haws Mfg Pte Ltd 74 Sungai Kadut Loop Singapore 729531  
 e-mail: Haws@hawsca.com website: www.hawsca.com

REV. NO.	DATE	DESCRIPTION
001	08/11/05	1105/1105BP/1105A
002	08/11/05	1105/1105BP/1105A
003	08/11/05	1105/1105BP/1105A
004	08/11/05	1105/1105BP/1105A
005	08/11/05	1105/1105BP/1105A
006	08/11/05	1105/1105BP/1105A
007	08/11/05	1105/1105BP/1105A
008	08/11/05	1105/1105BP/1105A
009	08/11/05	1105/1105BP/1105A
010	08/11/05	1105/1105BP/1105A