

# 1119FR

## Wall Mounted Drinking Fountain



### FEATURES & BENEFITS

#### Bubbler Head

Polished chrome-plated brass bubbler head features an integral basin shank for added strength, and is equipped with a shielded, anti-squirt orifice that provides a steady sanitary source of water.

#### Back Panel

Stainless steel back panel helps to protect the wall from inadvertent splashing, and its decorative satin finish increases location visibility and completes the fountains attractive appearance.

#### Barrier-Free

Barrier-free capabilities combined with its ease of use allows for a number of installation location possibilities.

#### Finish

Beautiful #4 satin stainless steel finish basin can be easily cleaned and maintained while also resisting corrosion.

#### Construction

18 gauge Type 304 Stainless Steel construction with vandal-resistant bottom plates provides a long lasting unit with added peace of mind.

#### All-Weather Capabilities

Fully engineered system with the pneumatic operated freeze-resistant valve installed on the inside wall where room temperature does not drop below 50°F. When valve goes to off position, water left in supply line between valve and bubbler drains back into waste inside cabinet, which allows fountain on outside to function year-round.



### SPECIFICATIONS

Model 1119FR "Hi-Lo" wall mounted barrier-free freeze-resistant drinking fountain shall include dual 18 gauge Type 304 Stainless Steel satin finish basins, polished chrome-plated brass vandal-resistant bubbler heads, polished chrome-plated brass push-buttons which operate pneumatic valves installed on the inside wall where room temperatures do not drop below 50°F, self-draining water lines protect the unit from freezing, polished chrome-plated brass vandal-resistant waste strainers, stainless steel satin finish back panel, high and low fountain mounting levels, and 1-1/4" O.D. waste pipes.

### OPTIONS

- Cane Touch Skirt: Model SK1, satin finish stainless steel cane touch skirt for installation on high unit to comply with ADA protruding objects guidelines.
- Mounting: Model 6700.4 "Hi-Lo" universal mounting plate for most dual bubbler fountains.
- Support Carrier: Model 6800 universal in-wall mounting support for use with most fountains.

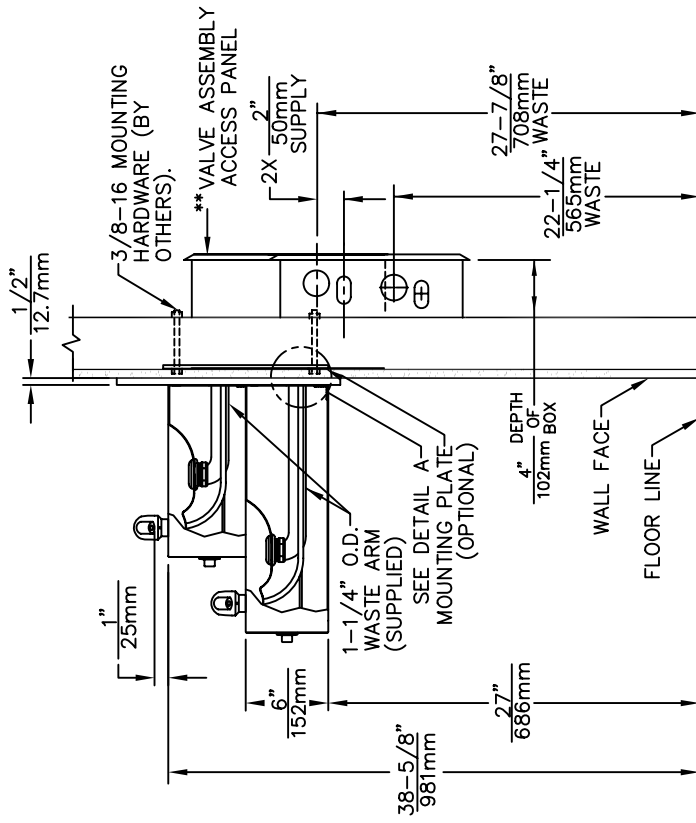
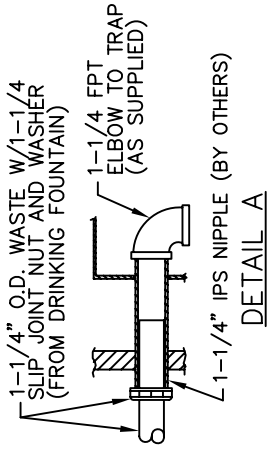
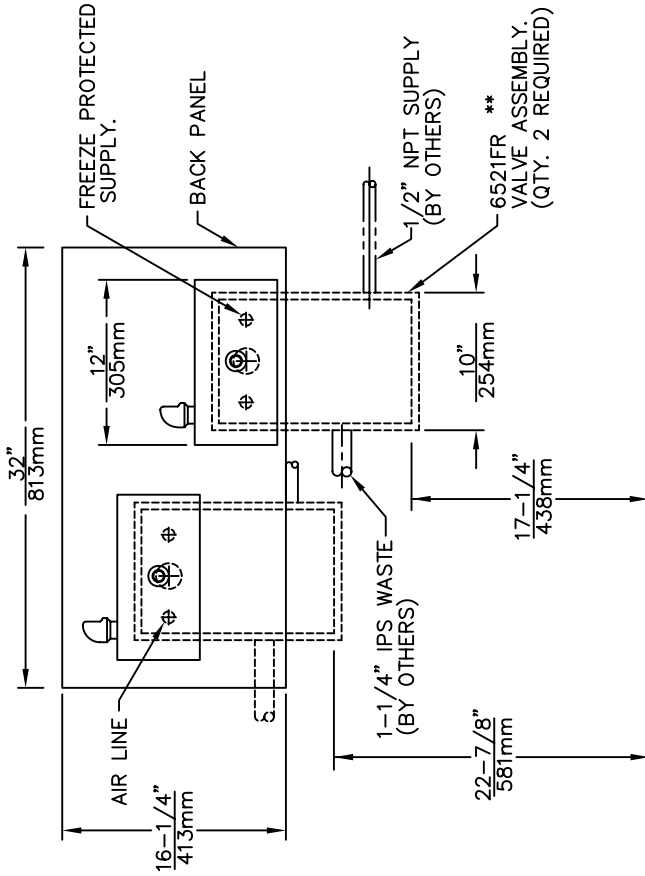
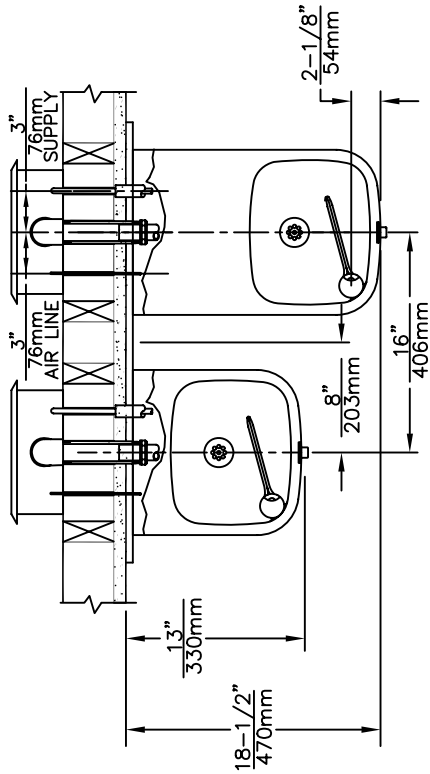
### APPLICATIONS

Perfect for either public or private outdoor settings, Model 1119FR is a great fit in areas where aesthetics are important to the overall appeal of the architecture. This series is precisely mounted, making it a nice addition to any surrounding. Beautiful satin finish helps to maintain the fountains overall appeal so it always remains looking as new as it did when it was installed. Specifically, this type of wall mounted drinking fountain may be placed in settings such as: parks, schools, and other facilities where the temperature may drop into freezing conditions.

Model meets all current Federal Regulations for the disabled including those in the Americans with Disabilities Act. Haws manufactures drinking fountains, electric water coolers and electric drinking fountains to be lead-free by all known definitions including ANSI/NSF Standard 61, Section 9, California Proposition 65, and the Federal Safe Drinking Water Act.



THIS DOCUMENT IS TRUE AND CORRECT AT TIME OF PUBLICATION. CONTINUED PRODUCT IMPROVEMENTS MAKE SPECIFICATIONS AND MEASUREMENTS SUBJECT TO CHANGE WITHOUT NOTICE.



\*\* VALVE ASSEMBLY MUST BE INSTALLED IN A WARM AREA. PROVISIONS SHOULD BE MADE TO ALLOW ACCESS TO ACCESS PANEL.



INFO FAX : 1-888-FAX-HAWS (1-888-329-4297)  
 1455 Kleppe Ln, Sparks NV, 89431  
 Phone: 775-359-4712 Fax: 775-359-7424  
 Haws Ag, Bachweg 3, CH-3401 Burgdorf Switzerland  
 Haws Mtg Pte Ltd 74 Sungai Kadut Loop Singapore 729531  
 e-mail: Haws@hawsco.com website: www.hawsco.com

FOR NO. REVISIONS BY: MODEL(S):  
 ECN: 4173 HW: 1119FR  
 DATE: 08/08 BRND: Haws  
 APPROVE: DATE: SCALE: 1:1  
 INFO FAX DOC #: 2111937  
 DRAWING TYPE: INSTALLATION/FABRACK

00007076627D  
 DRAWING NUMBER: 13640C00  
 SHEET: 1 OF 1



# INSTALLATION, OPERATION & MAINTENANCE INSTRUCTIONS

1455 Kleppe Lane ♦ Sparks, NV 89431-6467 ♦ (775) 359-4712 ♦ Fax (775) 359-7424  
HAWS AG ♦ Bachweg 3 ♦ CH-3401 Burgdorf ♦ Switzerland  
Haws Mfg. Pte Lt. ♦ 2A Sungei Kadet Drive ♦ Singapore 729554  
Avlis-Avenida Senador, Testonio Vilela ♦ 505 Jardim Aeroporto ♦ Itu, S.P. 13304-550 ♦ Brasil  
E-mail: [haws@hawsco.com](mailto:haws@hawsco.com) ♦ website: [www.hawsco.com](http://www.hawsco.com)

No. 2076627(10)

## Model 1119FR Drinking Fountain

**NOTE TO INSTALLER: Please leave this information with the Maintenance Department.**

### LIMITED WARRANTY

HAWS® warrants that all of its products are guaranteed against defective material or poor workmanship for a period of **one year from date of shipment**. HAWS liability under this warranty shall be discharged by furnishing without charge F.O.B. HAWS Factory any goods, or part thereof, which shall appear to the Company upon inspection to be of defective material or not of first class workmanship, provided that claim is made in writing to company within a reasonable period after receipt of the product. Where claims for defects are made, the defective part or parts shall be delivered to the Company, prepaid, for inspection. HAWS will not be liable for the cost of repairs, alterations or replacements, or for any expense connected therewith made by the owner or his agents, except upon written authority from HAWS, Sparks, Nevada. HAWS will not be liable for any damages caused by defective materials or poor workmanship, except for replacements, as provided above. Buyer agrees that Haws has made no other warranties either expressed or implied in addition to those above stated, except that of title with respect to any of the products or equipment sold hereunder and that HAWS shall not be liable for general, special, or consequential damages claimed to arise under the contract of sale. The drinking fountain manufactured by HAWS is warranted to function if installation and maintenance instructions provided are adhered to. The units also must be used for the purpose for which they were intended.

**NO OTHER WARRANTIES EXPRESSED OR IMPLIED ARE AUTHORIZED, PROVIDED OR GIVEN BY HAWS.**

**SHOULD YOU EXPERIENCE DIFFICULTY WITH THE INSTALLATION OF THIS MODEL, PLEASE CALL:**

**1-800-766-5612**

**FOR PARTS CALL:**

**1-800-758-9378**

**(U.S.A. AND CANADA ONLY) MONDAY-THURSDAY: 6:00 A.M. – 4:00 P.M. PST  
FRIDAY: 6:00 A.M – 1:00 P.M. PST**

**RECOMMENDED TOOLS:** Hack saw, pipe joint sealant, screwdriver, level, 12" adjustable wrench, 10" pipe wrench, 5/64" hex key wrench, 9/16", 1/2", 7/16" socket wrench or open end wrench.

**LOCATION OF UNIT:** The Model 1119FR Drinking Fountain is a wheelchair accessible drinking water facility. The height dimensions that are shown meet current ADA requirements. When installing this unit, local, state or federal codes should be adhered to. If height other than shown is required, then dimensions must be adjusted accordingly.

**SUPPLY LINE:** The minimum recommended line size is 1/2" NPT with 30-90 psi (2-6 ATM) pressure. Where sediment or mineral content is a problem, an inlet filter is recommended.

**PLUMBING CONNECTIONS:** Waste outlet is 1-1/4" IPS.

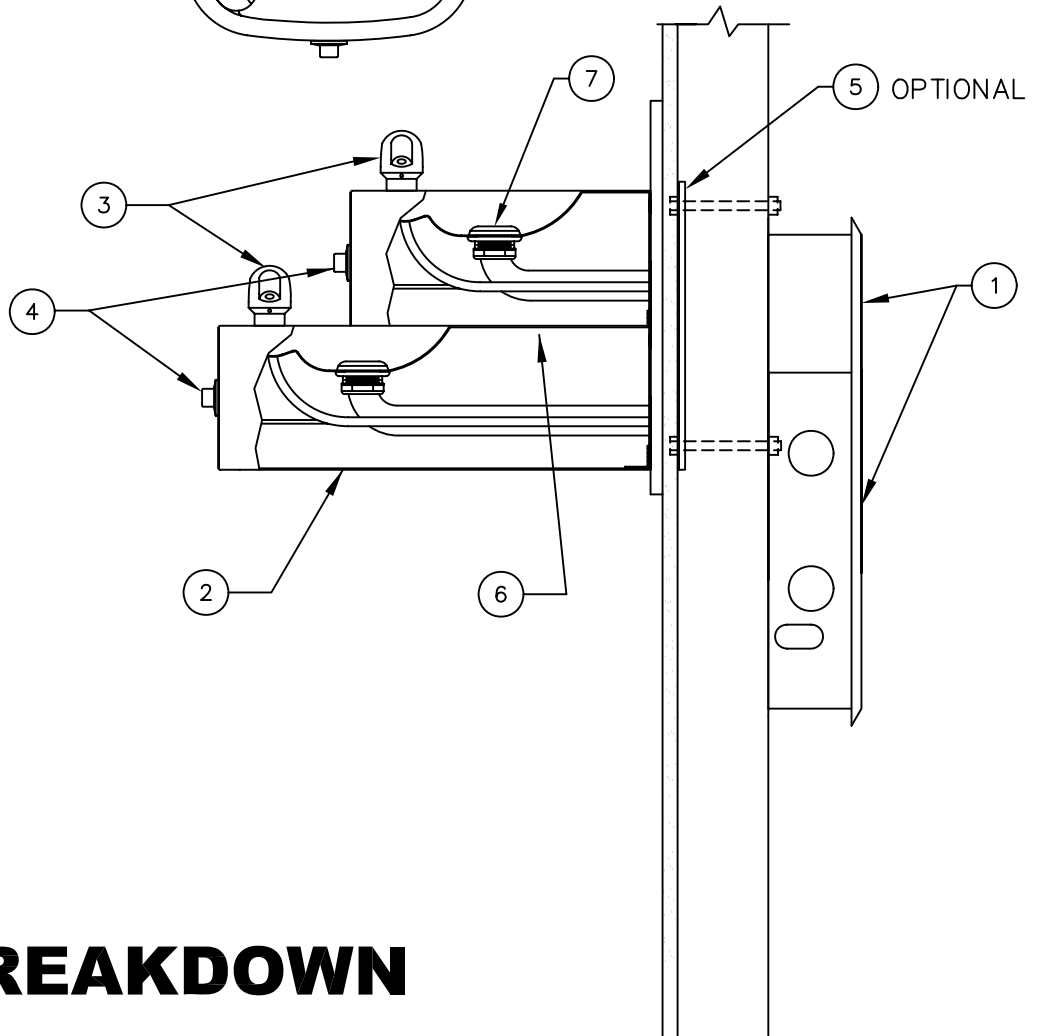
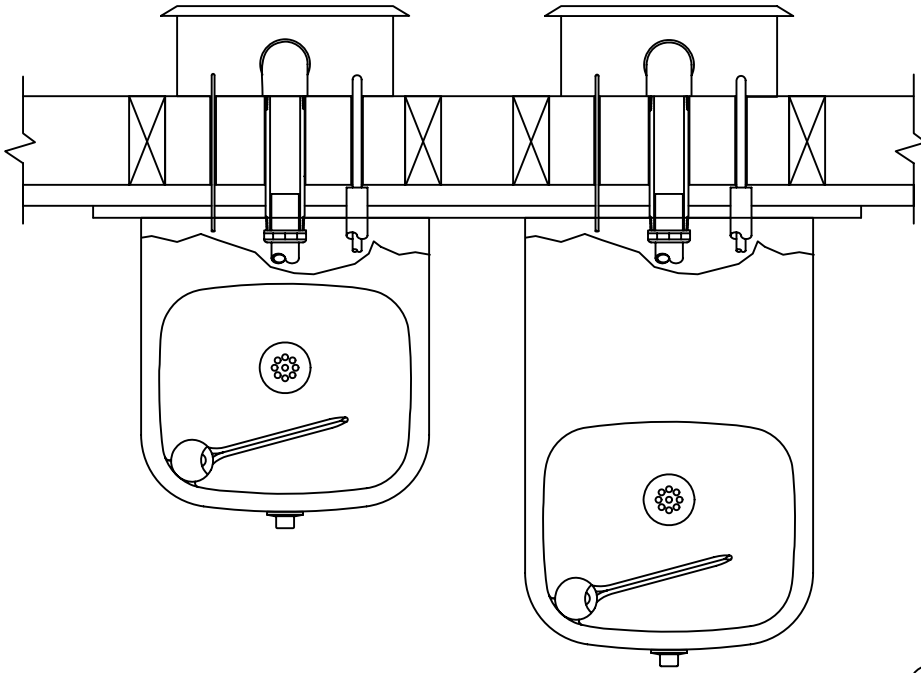
**MAINTENANCE:** Refer to 6521FR operation and maintenance sheet for more information.

## TROUBLESHOOTING

PROBLEM	REPAIR CHECKLIST
1. Insufficient bubbler flow.	1a. Check that inlet screwdriver stop valve is wide open. Turn counter-clockwise. b. Verify minimum 30 psi flowing supply pressure. c. Adjust valve to increase flow. See 6521FR Valve Manual.

THIS DOCUMENT IS TRUE AND CORRECT AT TIME OF PUBLICATION. CONTINUED PRODUCT IMPROVEMENTS MAKE SPECIFICATIONS AND MEASUREMENTS SUBJECT TO CHANGE WITHOUT NOTICE.

ITEM	DESCRIPTION
1	VALVE 6521FR
2	BOTTOM PLATE PBM 1105
3	BUBBLER HEAD 5703M
4	PUSH BTN ASS'Y 5881PBA
5	MOUNTING PLATE 6700.4
6	BOTTOM PLATE PBM1109
7	WASTE STRAINER ASSY 6462



# PARTS BREAKDOWN

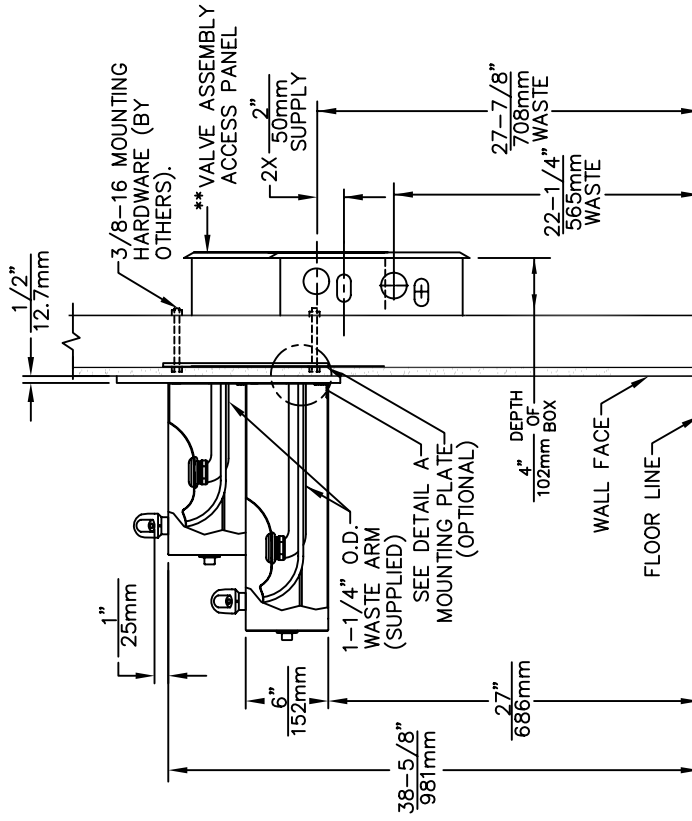
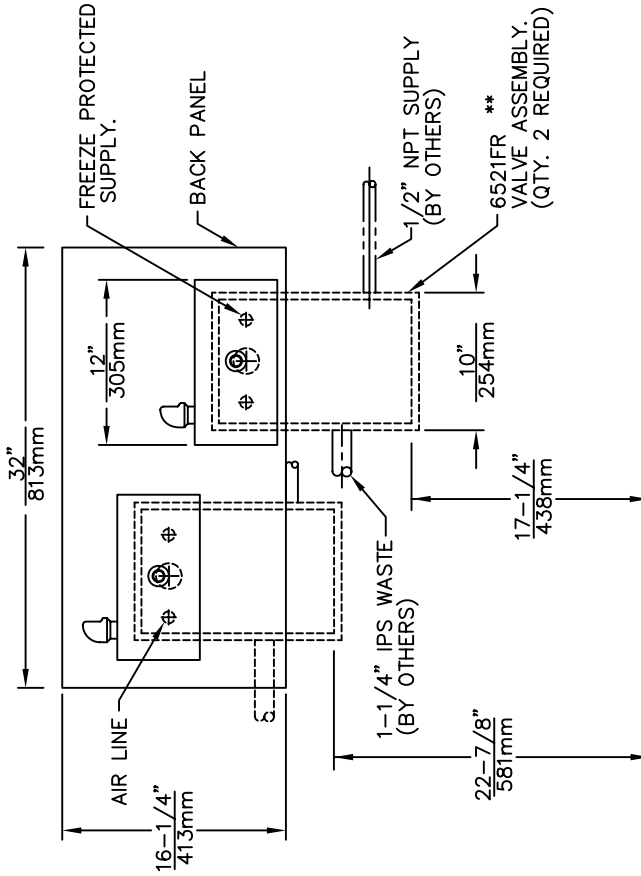
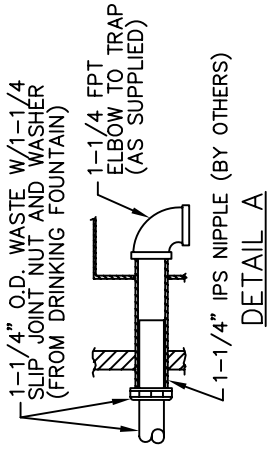
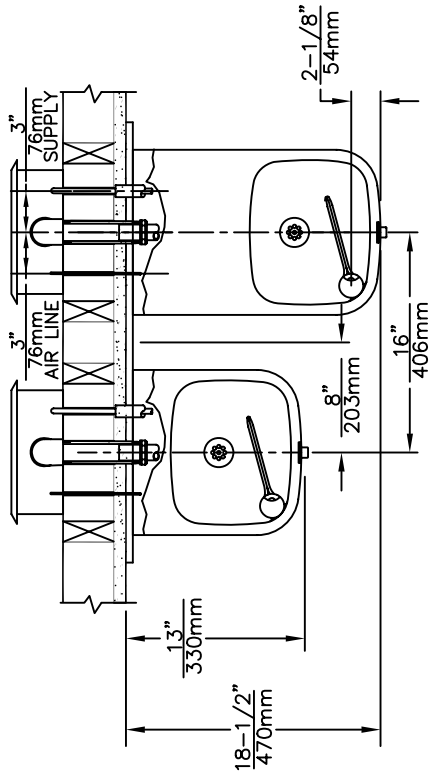
**WHEN ORDERING  
PARTS PLEASE  
SPECIFY YOUR  
MODEL NUMBER**



1455 KLEPPE LANE BACHWEG 3  
SPARKS, NEVADA CH3401 BURGDORF  
SWITZERLAND

DRAWN BY: F. VASQUEZ	DATE: 08/20/98	CHECK BY:	APP'D BY:	SCALE: 1/4
TITLE: 1119FR			PART NUMBER: 0002076627	
DRAWING TYPE: PARTS BREAKDOWN			DRAWING NUMBER: 13382C00	REV. 10

THIS DOCUMENT IS TRUE AND CORRECT AT TIME OF PUBLICATION. CONTINUED PRODUCT IMPROVEMENTS MAKE SPECIFICATIONS AND MEASUREMENTS SUBJECT TO CHANGE WITHOUT NOTICE.



\*\* VALVE ASSEMBLY MUST BE INSTALLED IN A WARM AREA. PROVISIONS SHOULD BE MADE TO ALLOW ACCESS TO ACCESS PANEL.



INFO FAX : 1-888-FAX-HAWS (1-888-329-4297)  
 1455 Kleppe Ln, Sparks NV, 89431  
 Phone: 775-359-4712 Fax: 775-359-7424  
 Haws Ag, Bachweg 3, CH-3401 Burgdorf Switzerland  
 Haws Mtg Pte Ltd 74 Sungai Kadut Loop Singapore 729531  
 e-mail: Haws@hawsco.com website: www.hawsco.com

FOR NO. REVISIONS BY DATE  
 ECN: 4173  
 DATE: 08/08  
 APPROVED: [Signature]

MODEL(S): 1119FR  
 INFO FAX DOC #: 2111937  
 SCALE: 1:1  
 DRAWING TYPE: INSTALLATION/FABRICK

0000076627 D  
 DRAWING NUMBER: 13640C00  
 SIZE: A SH: 1 OF 1