

# ELKAY® SPECIFICATIONS

## Heavy Duty 14 Gauge Drinking Fountain Wall Mount, Fully Exposed Barrier-Free Access Models EHWM217C and EHW217C

### GENERAL

Two-level wall mounted drinking fountain constructed of #14 gauge, type 304, stainless steel polished to a lustrous satin finish.

Contoured basin minimizes splashing and has vandal-resistant bubbler. Keyed in location to prevent rotation. Easy to operate, fully functional push-buttons are vandal-resistant. Vandal-resistant bottom cover plates included. Flow regulator provides constant stream from 20 to 105 psi water pressure.

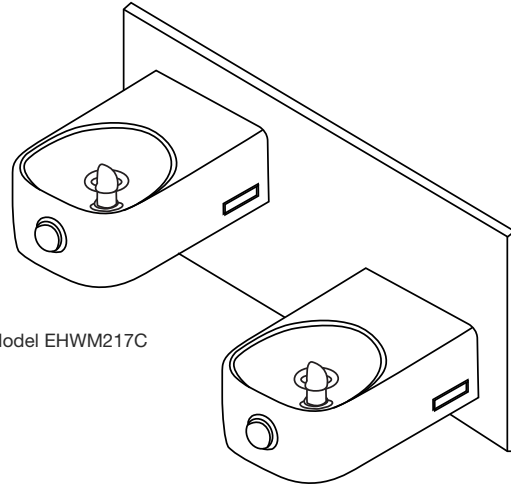
**THIS DRINKING FOUNTAIN COMPLIES WITH THE REQUIREMENTS OF A.D.A. (AMERICANS WITH DISABILITIES ACT) WHEN PROPERLY INSTALLED. UNIT IS COMPLIANT IF INSTALLED IN AN ALCOVE AND IS ALSO COMPLIANT WHEN MOUNTED ON AN EXPOSED WALL IF A WING WALL IS LOCATED ON THE LEFT SIDE OR IF A APRON IS INSTALLED UNDER THE UPPER UNIT.**

### NO LEAD DESIGN

**THIS DRINKING FOUNTAIN COMPLIES WITH THE LEAD-FREE DEFINITION IN THE SAFE DRINKING WATER ACT OF 1986 AND LEAD CONTAMINATION CONTROL ACT OF 1988.**

Elkay Drinking Fountains are manufactured with a waterway system utilizing copper components and completely lead-free material. These waterways have no lead because all leaded materials, such as leaded brass, have been removed.

This fountain is certified by WQA to lead-free compliance including NSF/ANSI 61-ANNEX G, AB 1953.

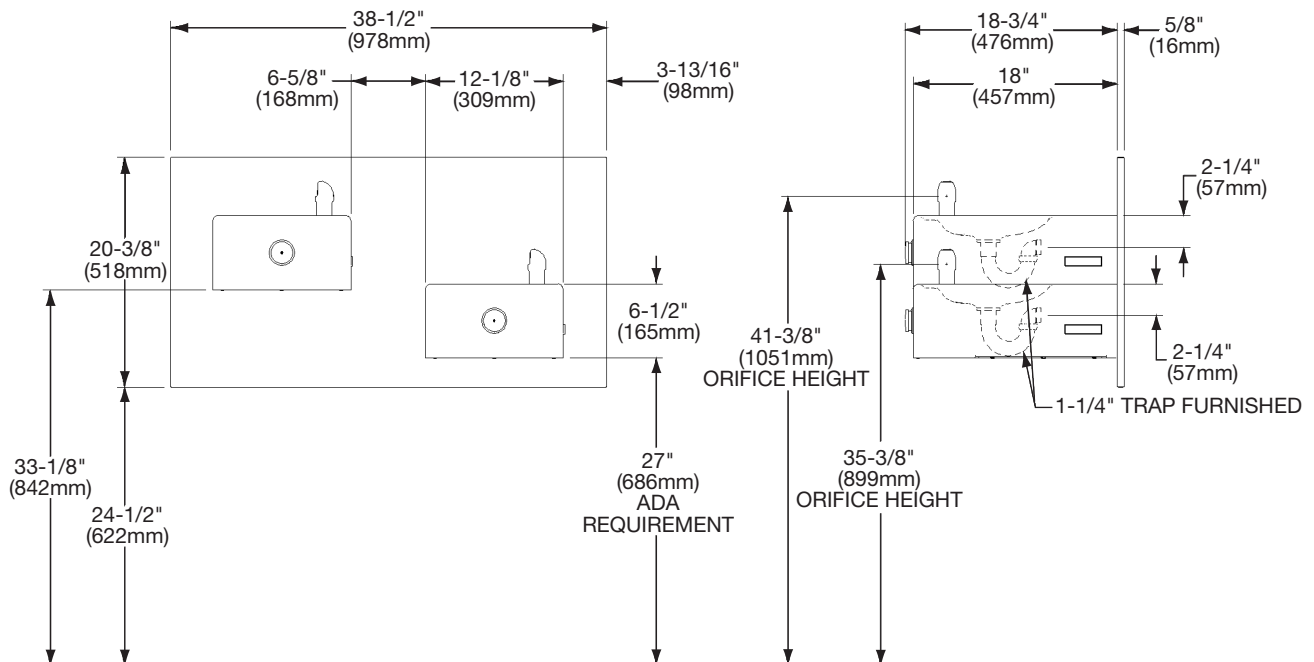


Model EHWM217C

### CONSTRUCTION

**EHW217C** furnished complete with vandal-resistant bubbler, fully assembled front push-buttons, flow regulator (20 to 105 psi), and drain, trap assemblies, vandal-resistant 14 gauge bottom cover plates and surface mounting plate. Trap included.

**EHW217C** does not include the surface mounting plate. To be mounted with **MPW200** in-wall mounting plate. **ML100** in-wall support legs are optional.



*In keeping with our policy of continuing product improvement, Elkay reserves the right to change product specifications without notice. Please visit [elkayusa.com](http://elkayusa.com) for most current version of Elkay product specification sheets.*

*This specification describes an Elkay product with design, quality and functional benefits to the user. When making a comparison of other producers' offerings, be certain these features are not overlooked.*

**Elkay**

[elkayusa.com](http://elkayusa.com)

2222 Camden Court  
Oak Brook, IL 60523

Printed in U.S.A.  
©2011 Elkay

(Rev. 4/11) 14-50C

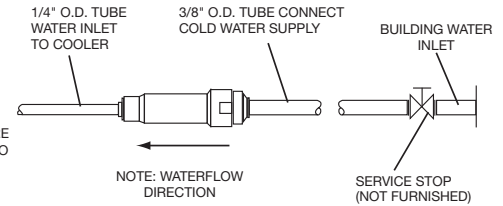
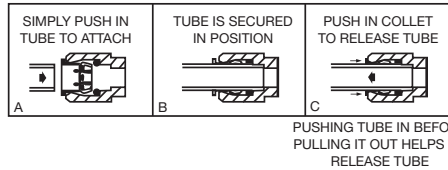
**Heavy Duty 14 Gauge Drinking Fountain  
Wall Mount, Fully Exposed  
Barrier-Free Access  
Model EHWM217C**

**ELKAY®  
SPECIFICATIONS**

**INSTALLER NOTE**

THIS DRINKING FOUNTAIN IS FURNISHED WITH A BUBBLER AND WATERWAY WITH ALL CONNECTING FITTINGS WHICH ARE MANUFACTURED OF COMPLETELY LEAD FREE MATERIAL. SHUT OFF VALVE (NOT FURNISHED) TO ACCEPT 3/8" O.D. UNPLATED COPPER TUBE.

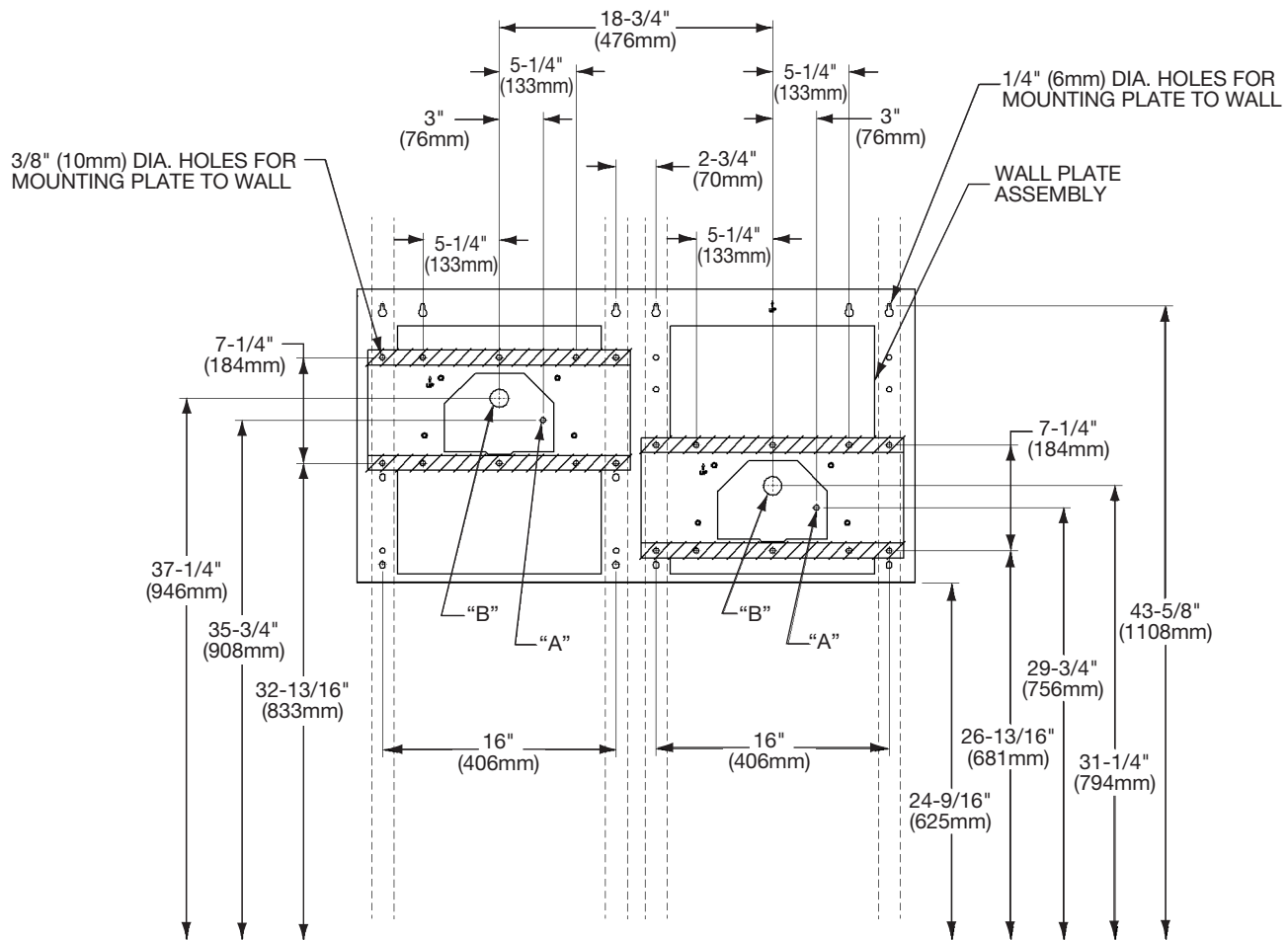
**OPERATION OF QUICK CONNECT FITTINGS**



**When installing EHWM217C which includes a surface mounting plate, refer to the diagrams shown below.**

**For electrical, waste, and water supply locations refer to the Installation/Owners manual.**

**Note: Reinforce the wall in the shaded areas.**



**LEGEND**

- A = Recommended water supply location 3/8" O.D. unplated copper tube connect, stubbed 1-1/2" (38mm) from the wall. Shut off by others.
- B = Recommended location for waste outlet 1-1/4" O.D. drain, stubbed 6-5/8" (168mm) from the wall.

**Heavy Duty 14 Gauge Drink Fountain  
Wall Mount, Fully Exposed  
Barrier-Free Access  
Model EHW217C with MPW200**

**ELKAY®  
ROUGH-IN DIMENSIONS**

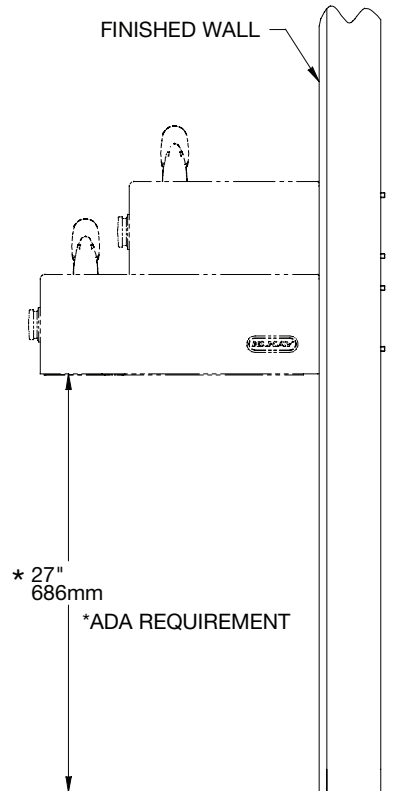
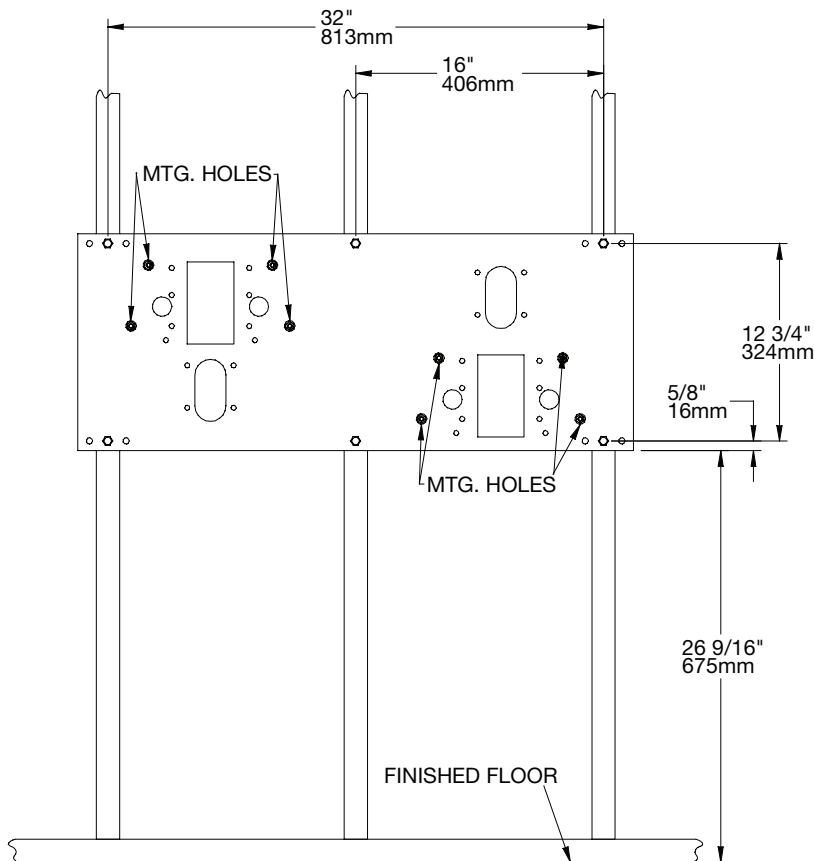
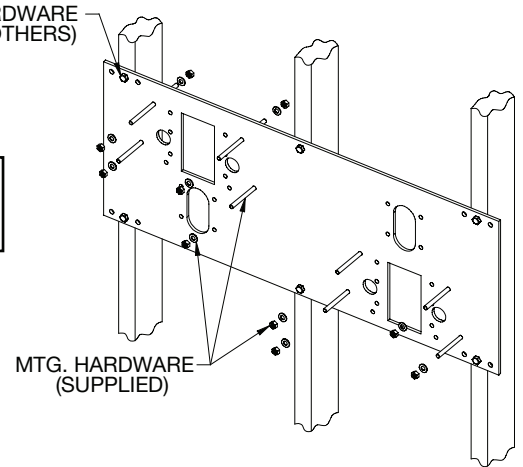
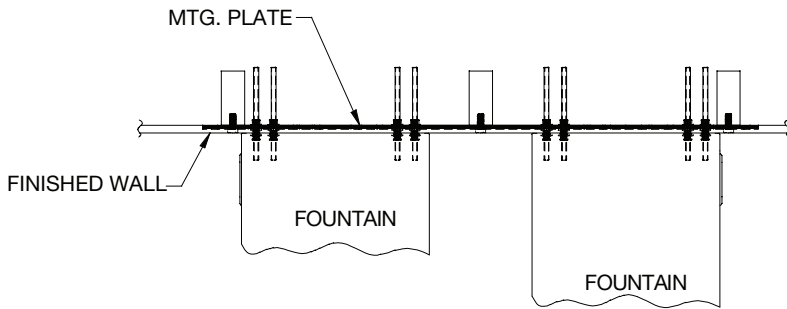
When installing EHW217C with MPW200 in-wall plate mounted directly to wall studs, refer to the diagrams shown below.

For electrical, waste, and water supply locations refer to the Installation/Owners manual.

**Note – After installation, threaded rods may need to be trimmed.**

3/8" MTG. HARDWARE  
(SUPPLIED BY OTHERS)

MTG. HARDWARE  
(SUPPLIED)



In keeping with our policy of continuing product improvement, Elkay reserves the right to change product specifications without notice. Please visit [elkayusa.com](http://elkayusa.com) for most current version of Elkay product specification sheets.

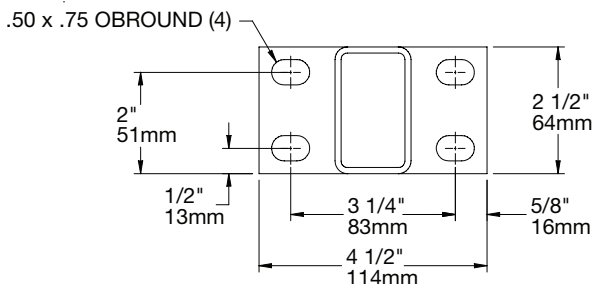
This specification describes an Elkay product with design, quality and functional benefits to the user. When making a comparison of other producers' offerings, be certain these features are not overlooked.

**Heavy Duty 14 Gauge Drink Fountain  
Wall Mount, Fully Exposed  
Barrier-Free Access  
Model EHW217C with MPW200 & ML100**

**ELKAY®  
ROUGH-IN DIMENSIONS**

When installing EHW217C with MPW200 in-wall plate and ML100 support legs, refer to the diagrams shown below.

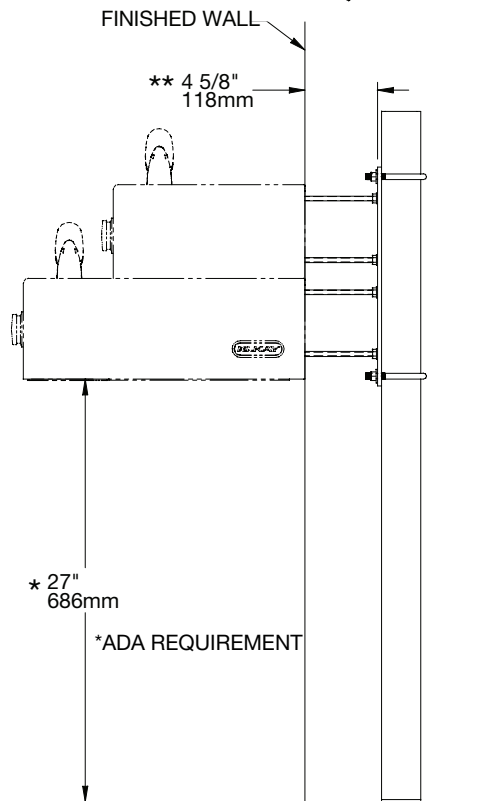
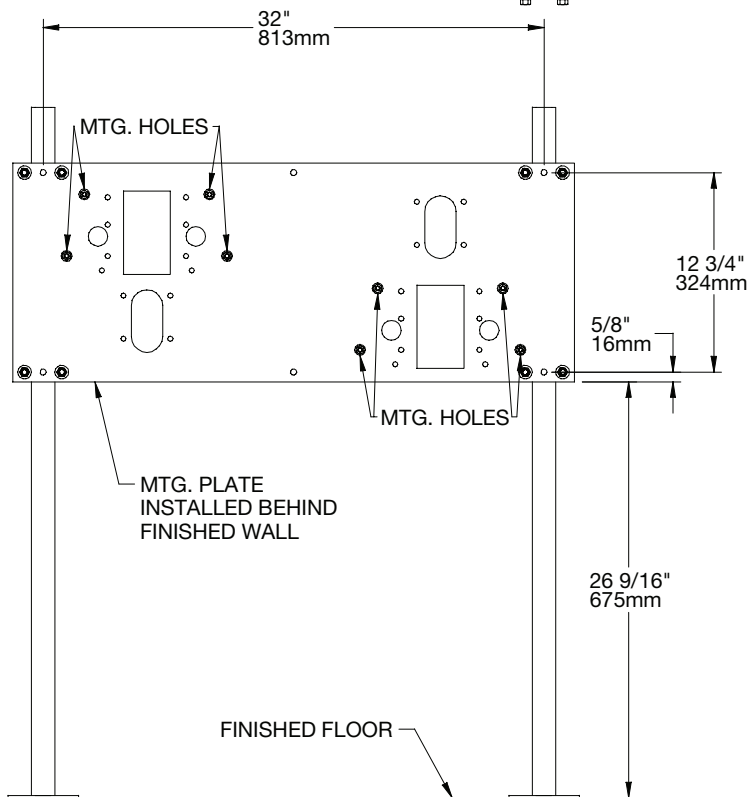
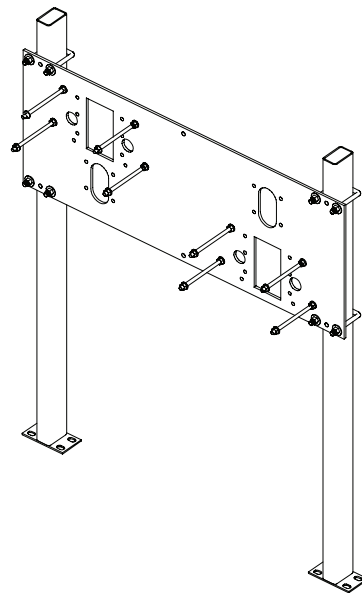
For electrical, waste, and water supply locations refer to the Installation/Owners manual.



**DETAIL A**

**Note - After installation, U-bolts and threaded rods may need to be trimmed.**

U-BOLTS ARE INCLUDED WITH ML100 (SUPPORT COLUMNS) SEE DETAIL A



\*\*WITH STANDARD STUD LENGTH OF 6 INCHES