



**Barrier-Free Cooler**

**MODEL BFMR-Q**



This water cooler is certified to NSF/ANSI 61.

**GENERAL**

Modular, electric refrigerated, fully-recessed wall-mounted water cooler designed to be easily accessible to physically challenged individuals. When properly installed, unit meets state and federal requirements as defined by the Americans with Disabilities Act. Unit is certified to NSF/ANSI 61 and meets requirements of the Safe Drinking Water Act. Unit provides 50° F water at 80° F inlet water and 90° F ambient.

**FOUNTAIN**

One-piece, non-corrosive stainless steel cooler top, number 300 series with satin finish and contour-formed basin.

**BUBBLER**

Exclusive one-piece, chrome-plated two-stream mound-building bubbler with non-removable anti-squirt feature and integral hood insures a satisfying drink of water.

**AUTOMATIC STREAM HEIGHT REGULATOR**

Self-closing assembly is located inside unit to prevent tampering. Unit resists corrosion and liming. A constant stream height is automatically maintained under line pressures that vary from 20 to 105 psi.

**PUSHBUTTON ACTUATION MECHANISM**

Self closing, vandal-resistant pushbutton does not require grasping or twisting.

**INLET STRAINER**

Easily cleaned in-line strainer screen traps particles of 140 microns or larger before they enter the waterway.

**REFRIGERATION SYSTEM**

Hermetically sealed, positive start compressor with lifetime lubrication and built-in overload protection, efficient capillary sizing, large capacity dryer-strainer, and self-lubricated fan cools copper/aluminum condenser. System uses R134A refrigerant. Protected by Halsey Taylor's Limited 5 Year Warranty.

**MOUNTING FRAME**

Mounting frame is manufactured of corrosion resistant, galvanized steel. Open construction designed for ease of installation. Mounting frame can be shipped in advance for rough-in installation.

**CABINET AND ACCESS PANEL**

Cooling unit contained in a heavy gauge galvanized steel cabinet with front and rear panels removable for service. The upper louvered panel is easily removable for access to the chiller unit system.

**SUGGESTED SPECIFICATIONS**

Shall deliver 8 GPH of 50° F water at 90° F ambient and 80° F inlet water. Fountain shall include pushbutton valve on front, contour-formed basin to eliminate splashing and standing water. Bubbler shall be chrome plated, two-stream, mound-building type. Cooling unit shall have a high efficiency positive start compressor using R134A, with pressurized counterflow cooling evaporator/chiller. Cooler shall comply with ANSI 117:1 and ADA for visual and motion disabilities. The manufacturer shall certify the unit to meet the requirements of NSF/ANSI 61, and the Safe Drinking Water Act. Unit complies with ARI Standard 1010.

NOTE: Continued product improvement makes specifications subject to change without notice. See Halsey Taylor website for most current spec sheet.



Standard finish is Stainless Steel

**Optional Accessories (extra cost)**

- Vandal-Resistant Kit
- Water Filter
- Easy-Flex™ Bubbler
- Glass Filler (factory installed - no. 2408 style glass filler only).

**Each BFMR-Q consists of 3 cartons as follows:**

- Cooling Unit-SJ8
- BFMR-Q Frame Pack
- Basin/Panel, BFMR-Q

JOB NAME: \_\_\_\_\_

\_\_\_\_\_

\_\_\_\_\_

ENGINEER/CONTRACTOR NAME: \_\_\_\_\_

\_\_\_\_\_

APPROVAL: \_\_\_\_\_

DATE: \_\_\_\_\_

**BFMR BARRIER-FREE SERIES**

Model No.	GPH Capacity Cooled to 50° F*				Base Rate Cap.	F.L. Amps	Shipping Weight lb.	Rated Watt Usage
	Ambient Air Temp							
	70°F	80°F	90°F†	100°F				
BFMR-Q	9.6	8.8	7.5	7.2	7.5	4.0	91	370

\* With projector service and tap water at 80° F  
For additional specification of the cooling unit, see specification sheet for Model SJ8 Remote in this catalog.

† UL listed and complies with ARI Standard 1010  
Trap and service stop not included



# BFMR-Q

## Fully-Recessed Barrier-Free Cooler

(CONTINUED)

### WALL OPENING

Cut a wall opening 17 1/8" W x 52 1/4" H at 30" above the floor line for fountain and cooling unit. Cut a wall opening 30" W x 27" H and 20" D for wheelchair access area. This opening must be centered under the fountain. Reinforce the wall opening on all sides so that it will adequately support the water cooler. IT MUST SUPPORT UP TO 150 LBS. and provide a means of securing the frame assembly in place.

### MOUNTING INSTRUCTIONS AND PLUMBING CONNECTIONS

Install the shelf into the upper frame area and secure with the 5/16" x 3/4" fasteners supplied. Attach the frame assembly squarely into the building wall, shim if necessary. Be sure panel fasteners are facing the front. Install drain on building waste as shown in drawings. Hang fountain so that it engages to hanger. Secure the bottom with brackets and wing nuts provided. Connect drain assembly to fountain. Slide cooling unit on to shelf and make plumbing connections. Open service valve and check for leaks. Line up panel and grill and fasten.

Installation requires trap to be installed in wall. Trap and service stop not included.

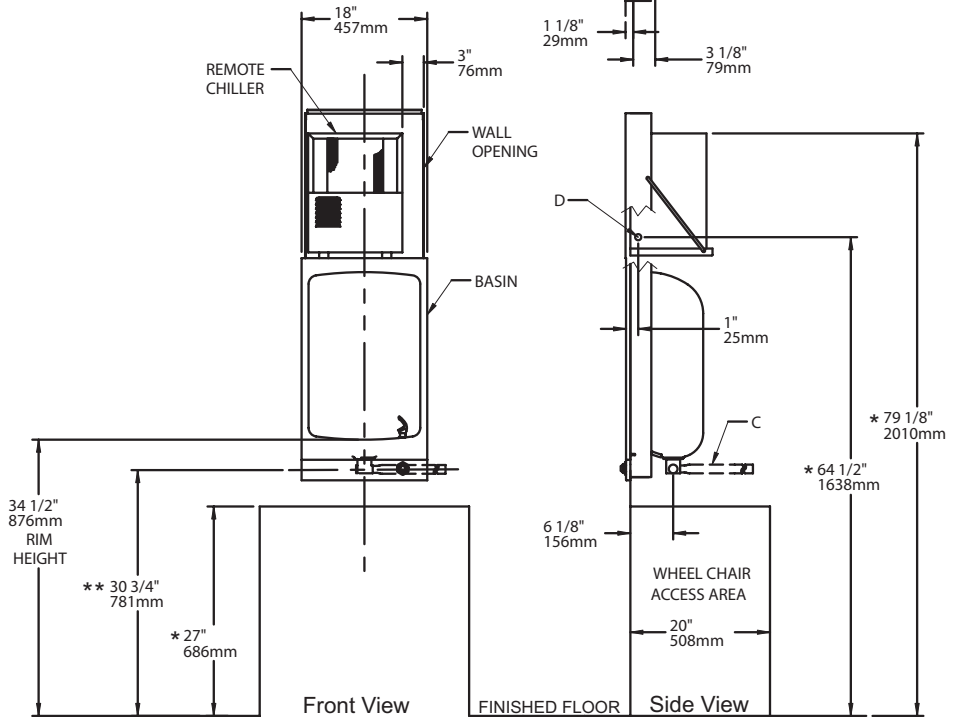
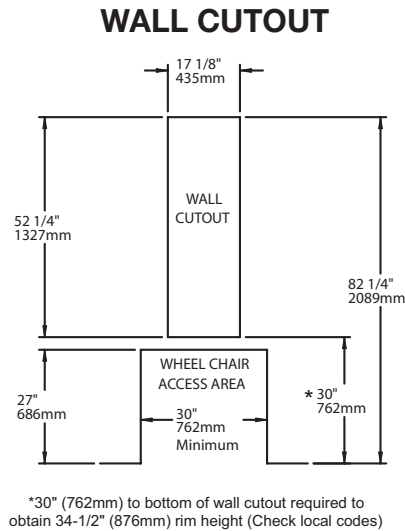
### OPERATING PRESSURES:

Supply water - 105 psi maximum

### ELECTRICAL DATA

Junction box for a (3) wire 10 AMP branch circuit. Standard 120 volt, 60 HZ, single phase.

### FRONT & SIDE VIEWS



### LEGEND

- A = 1/4" O.D. TUBE CONNECT (CHILLER WATER OUTLET)
- B = 3/8" O.D. TUBE CONNECT (CHILLER WATER INLET) SHUT OFF VALVE BY OTHERS
- C = 1-1/4" O.D. WASTE WATER OUTLET TUBE (TRAP NOT FURNISHED)
- D = ELECTRICAL INLET

\* ADA Requirement

\*\* NOTE: If wall opening height has been adjusted to meet local codes (See wall frame instructions), height dimensions must be adjusted accordingly.