

# ELKAY<sup>®</sup> SPECIFICATIONS

## MODEL LK4420DB

### GENERAL

Steel Outdoor Dual Station Fountain with rounded corner design, heavy-duty steel with textured powder-coat finish and E-Coat immersion for year-round beauty with minimum maintenance. The E-Coat immersion process coats the inside and outside for the ultimate in corrosion protection.

### BUBBLER

Vandal-resistant bubbler is one-piece, heavy-duty construction. Unit has integral hood guard design to prevent contamination from other users, airborne deposits and tampering.

### BASIN

Contour-formed stainless steel design with rounded edges reduces splatter, ensures proper drainage and prevents standing water.

### PUSHBUTTON ACTUATION MECHANISM

Self-closing, vandal-resistant pushbutton does not require grasping or twisting.

### INLET STRAINER

Easily cleaned in-line strainer screen traps particles of 140 microns or larger before they enter the waterway.

### WATER INLET & DRAIN OUTLET

Inlet: 3/8" O.D. Tubing

Outlet: 1-1/2" tube outlet for 1-1/2" slip joint connection

### ACCESS PANELS


Heavy-gauge steel with vandal-resistant screws. Provides access for easy hook-up of all plumbing connections.

### PET FOUNTAIN

Actuated by upper pushbutton. Slow drainage feature for easy drinking.

### SUGGESTED SPECIFICATIONS

Unit shall include powder-coated finish with vandal-resistant pushbutton actuation, vandal-resistant bubblers with integral hood guard, and contour-formed rounded basins to reduce splash and prevent standing water. Fountain shall comply with ANSI 117:1 and ADA for visual and motion disabilities. The manufacturer shall certify the unit to meet the requirements of NSF/ANSI 61, and the Safe Drinking Water Act.

Model	Color Option	 C USA	
		ADA Compliant	NSF/ANSI 61 Certified
LK4420DB*	(Refer to Finish Color Options)	•	•

\* Select color option to complete model number. Example: LK4420DBEVG

*This specification describes an Elkay product with design, quality and functional benefits to the user. When making a comparison of other producer's offerings, be certain these features are not overlooked.*

In keeping with our policy of continuing product improvement, Elkay reserves the right to change specification without notice. Please visit [elkay.com](http://elkay.com) for the most current version.

2222 Camden Court  
Oak Brook, IL 60523  
630-572-3192  
[elkay.com](http://elkay.com)

## Outdoor Tubular Fountain

### Dual Station with Pet Fountain



Model LK4420DB is shown.

Now Available  
in 12 Colors!



**FINISH COLOR OPTIONS** – Choose color option to complete your model number, add as suffix example: LK4420DBEVG

Matte finish:  Evergreen = EVG

Gloss finish:

- |                                      |                                       |   |
|--------------------------------------|---------------------------------------|---|
| <input type="checkbox"/> Beige = BGE | <input type="checkbox"/> Gray = GRY   | <input type="checkbox"/> Terracotta = TER |
| <input type="checkbox"/> Black = BLK | <input type="checkbox"/> Orange = ORN | <input type="checkbox"/> White = WHT      |
| <input type="checkbox"/> Blue = BLU  | <input type="checkbox"/> Purple = PUR | <input type="checkbox"/> Yellow = YLW     |
| <input type="checkbox"/> Brown = BRN | <input type="checkbox"/> Red = RED    |   |

### OPTIONS

- Hose Bib (Locking) - LK4471LHB\* (Choose color option to complete your model number)
- Hose Bib (Non-Locking) - LK4470NLHB\* (Choose color option to complete your model number)
- Direct Bury Kit - 97890C

# MODEL 4420DB

## Outdoor Tubular Dual Station with Pet Fountain

**OPERATING PRESSURES:**  
Supply water 20 – 105 psi maximum

### MOUNTING INSTRUCTIONS and PLUMBING CONNECTIONS

Provide solid, well-drained surface to mount pedestal fountain (concrete pad recommended) with adequate support (300 lb. load minimum). (8) 3/8" minimum fasteners (not included) should be attached firmly to mounting surface in order to secure unit. (Refer to rough-in diagram)

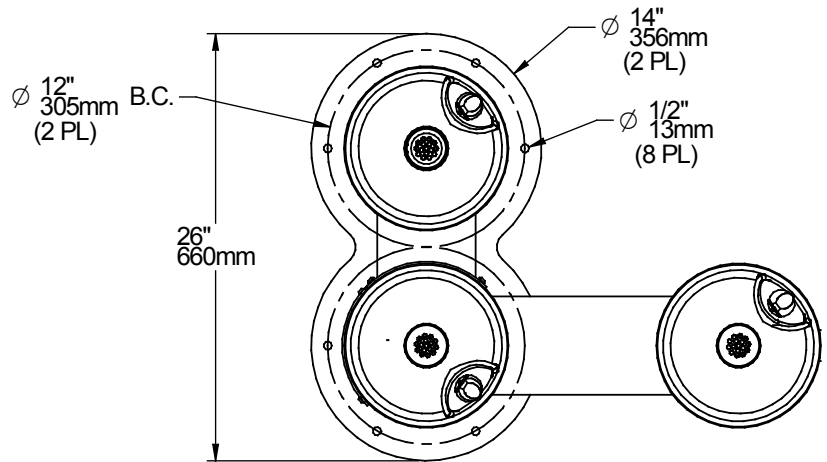
Modified low stream height bubbler for pet fountain.

Locate and install plumbing through ground as required.  
**NOTE:** Unit is not furnished with service valve.

Position pedestal over plumbing and secure base to fasteners. Remove access panels and connect supply and water lines. Turn on water supply and check for leaks. Reassemble access panels to pedestal.

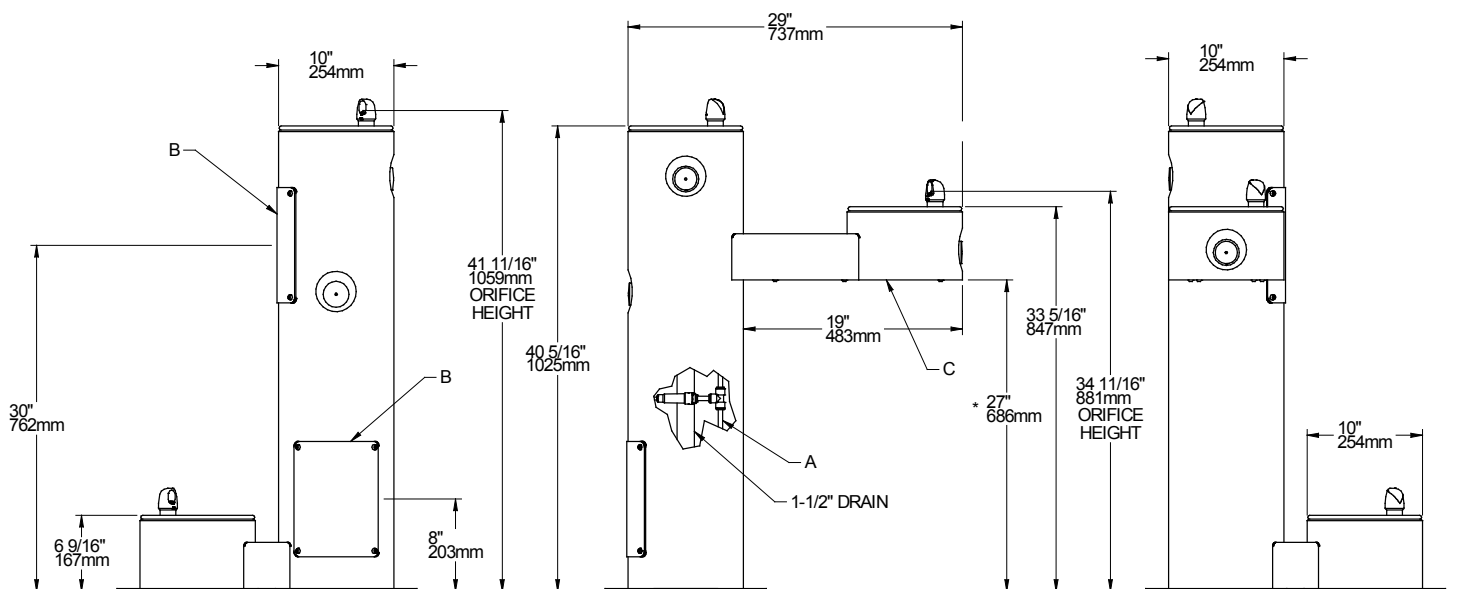
**Trap and service stop not included.**

### TOP VIEW



### BACK VIEW

### SIDE & FRONT VIEWS



\* ADA Requirement

- A = 3/8" O.D. UNPLATED COPPER TUBE CONNECT SHUT OFF VALVE BY OTHERS
- B = ACCESS PANEL (8" x 10")
- C = REMOVABLE BOTTOM COVER