



AquaDeco

Barrier Free, Pedestal Mounted Drinking Fountain

SUGGESTED SPECIFICATIONS

Model ABE1900B is a barrier free pedestal mounted, vandal resistant, square drinking fountain made from an 18 gage, 304 stainless steel bowl mounted into a reinforced brown concrete aggregate pedestal. Unit shall be activated by a front mounted self-closing button, by using less than 5 pounds of force, which activates an internally mounted valve with an adjustable stream regulator controlling the water flow. Bubbler shall be polished chrome plated brass with a non-squirt feature and operate on water pressure range of 20-105 psig. Unit shall adhere to ANSI A117.1 and Americans with Disabilities Act of 1990 frontal approach and protruding objects requirements, Adult ADA parallel and frontal approach and ANSI/NSF 61, Section 9.

□ **Standard Model:**
ABE1900B



STANDARD FEATURES

- Resistant to sunlight, heat, moisture and wear
- 18 gage, 304 stainless steel bowl
- Reinforced concrete with aggregate finish
- Polished chrome plated brass, anti-rotation non-squirt bubbler
- 100 mesh inlet strainer
- Access door, heavy duty steel, vandal resistant
- Vandal resistant galvanized steel bottom plate



Member of
U.S. Green
Building
Council



Recyclable
Product



Water
Conserving
Product

OPTIONAL ACCESSORIES (additional costs)

- - CH30 Child height, 30" bubbler height
- - FRU1 Freeze resistant valve
- - FS Foot spray
- - HB1 Hose bibb, compression, with hose threaded outlet/VB
- - HB2 Hose bibb, loose key, with hose threaded outlet/VB
- - HB4 Hose bibb, loose key, vandal resistant, hose threaded outlet/VB
- - IGM In-ground 14" mounting
- - JF1 Jug filler, plain end with self-closing valve
- - JF2 Jug filler, recessed, plain end with self-closing valve
- - PF Pet fountain receptor
- - "S" Polished stainless steel, lead-free bubbler (Use model ABE1900S)
- - "8" Tan concrete aggregate finish (Use model ABE1800B)

Acorn Aqua™ assumes no responsibility for use of void or suspended data. © Copyright 2009 Acorn Aqua™, City of Industry, CA, A Division of Acorn Engineering Company. Please visit www.acornaqua.com for most current specifications.

Submittal # **ABE1900B**
[Sec. B] Rev. C 8/1/09

COMPLIES WITH
STANDARDS



ANSI / NSF 61.9



Member of Acorn
Family of Companies

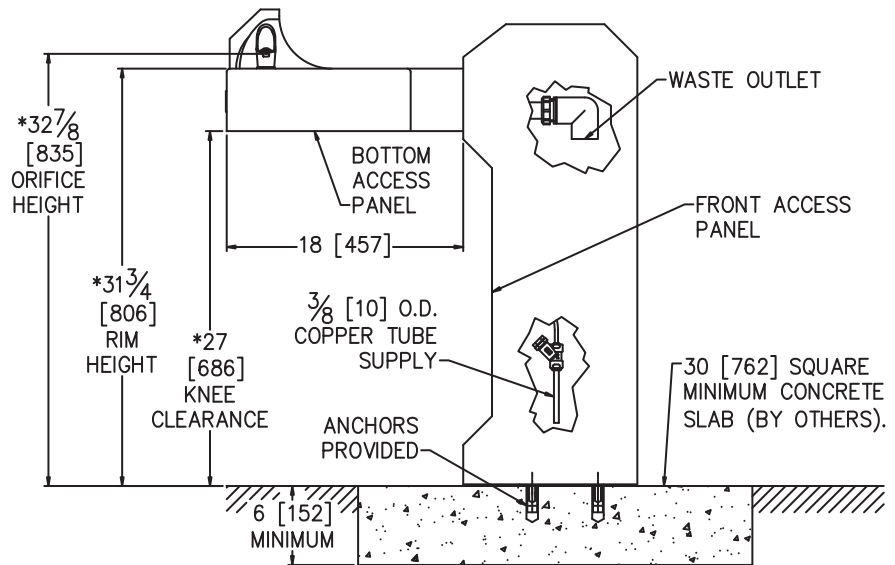
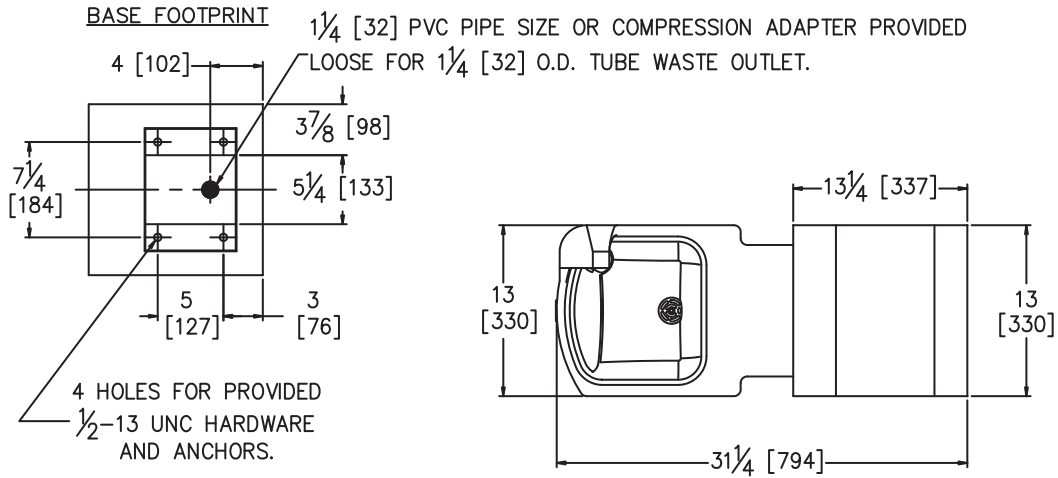
ACORN AQUA
15125 Proctor Avenue
City of Industry, CA
91746 U.S.A.
Phone 800-591-9360
626-336-4561
Fax 626-855-4894
www.acornaqua.com



TECHNICAL DIMENSIONS

All dimensions are nominal and subject to manufacturer's change without notice. Acorn Aqua™ assumes no responsibility for use of void or suspended data. © 2009 Acorn Aqua™, a Division of Acorn Engineering Company. Please visit www.acornaqua.com for most current specifications.

Standard Model:
ABE1900B



GENERAL NOTES:

1. ALL DIMENSIONS ARE IN INCHES [MM].
- *2. STANDARD ADULT HEIGHT MODEL SHOWN. OPTIONAL -CH30 CHILD HEIGHT MODEL AVAILABLE.
3. STOP VALVE NOT PROVIDED.

AquaDeco Barrier Free, Pedestal Mounted Drinking Fountain

Rough-in # **ABE1900B** Rev. B 8/1/09

Five Year Limited Warranty- (Continental United States and Canada Only) The following components are warranted for five years: Compressor, Condenser Coil and Refrigeration Coil. The following components shall only be warranted for a period of one year: Evaporator Can Assembly, Thermostat, Fan Motor, Cartridge, Push Buttons, Compressor Starting Relay/Overload/Capacitor and Activation Linkage. Other parts are warranted for one (1) year from date of installation.
Limited Export Warranty- One (1) year on parts only.

SELECTION SUMMARY & APPROVAL FOR MANUFACTURING

Company _____

Model Number & Options _____ Quantity _____

Contact _____ Title _____

Signature (Approval for Manufacturing) _____ Date _____



800-591-9360
626-336-4561
www.acornaqua.com