

# 1085

## Wall Mounted Drinking Fountain



### FEATURES & BENEFITS

#### Barrier-Free

Barrier-free capabilities combined with its ease of use allows for a number of installation location possibilities.

#### Construction

Cast polymarble with soft rounded corners and a white gel-coat finish provides this fountain with elegant and long lasting looks.

#### Integrated Trap

Spacious fountain design allows for the trap to be internally mounted which allows for easy access, and aids and reduces the installation process.

#### Quality Control

Both fountains are pre-built and fully water and pressure tested to ensure no leaks and proper function for reduced installation time and added peace of mind.

#### Push Button

With its patented (Pat.# 6,981,692) push-button valve assembly which allows for front access stream adjustment as well as cartridge and strainer access, this fountain offers the ultimate in ease of maintenance.

#### Bubbler Head

Polished chrome-plated brass bubbler head features an integral basin shank for added strength, and is equipped with a shielded, anti-squirt orifice that provides a steady sanitary source of water.



### SPECIFICATIONS

Model 1085 is a "Hi-Lo" white polymarble barrier-free drinking fountain that includes polished chrome-plated bubbler heads, recessed push-button valves, vandal-resistant bottom plates, integral mounting brackets, special in-the-wall mounting plate, and 1-1/2" NPT traps. Model includes two bowls with soft rounded corners and polished gloss finish and matching white powder-coated stainless steel back panel. The integral color is consistent through the material.

### OPTIONS

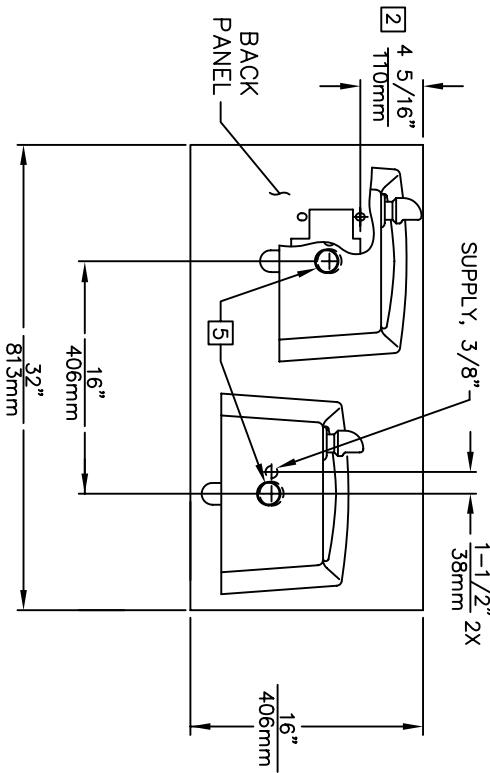
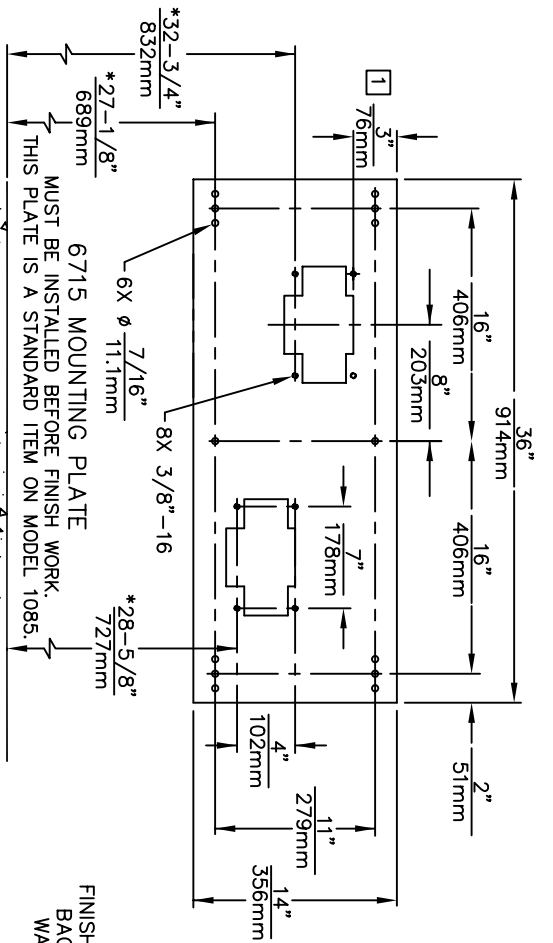
- Filter: Model 6426, 12" x 2", in-line lead removal element that reduces lead from incoming water supply.
- Support Carrier: Model 6800 universal in-wall mounting support for use with most fountains.
- Chiller: Model HCR8, chiller provides for instantaneous cooling to meet a continuous demand for chilled water.
- Premier Finishes: Standard white polymarble can be modified to have a gloss black finish. The standard chrome trim (bubbler, button, and drain strainer) can be modified to have rose or gold Physical Vapor Deposition (PVD) finish. Specify finish by name.

### APPLICATIONS

Perfect for either public or private settings, our white polymarble series is a great fit in indoor environments. This series is precisely mounted, making it a nice addition to any surrounding. Elegant gloss finish and color consistency throughout the polymarble maintain the fountains overall appeal so it always remains looking as new as it did when it was installed. Specifically, this type of wall mounted drinking fountain may be placed in settings such as: community centers, schools, and other indoor environments where durability is necessary.

Model meets all current Federal Regulations for the disabled including those in the Americans with Disabilities Act. Haws manufactures drinking fountains, electric water coolers and electric drinking fountains to be lead-free by all known definitions including ANSI/NSF Standard 61, Section 9, California Proposition 65, and the Federal Safe Drinking Water Act.

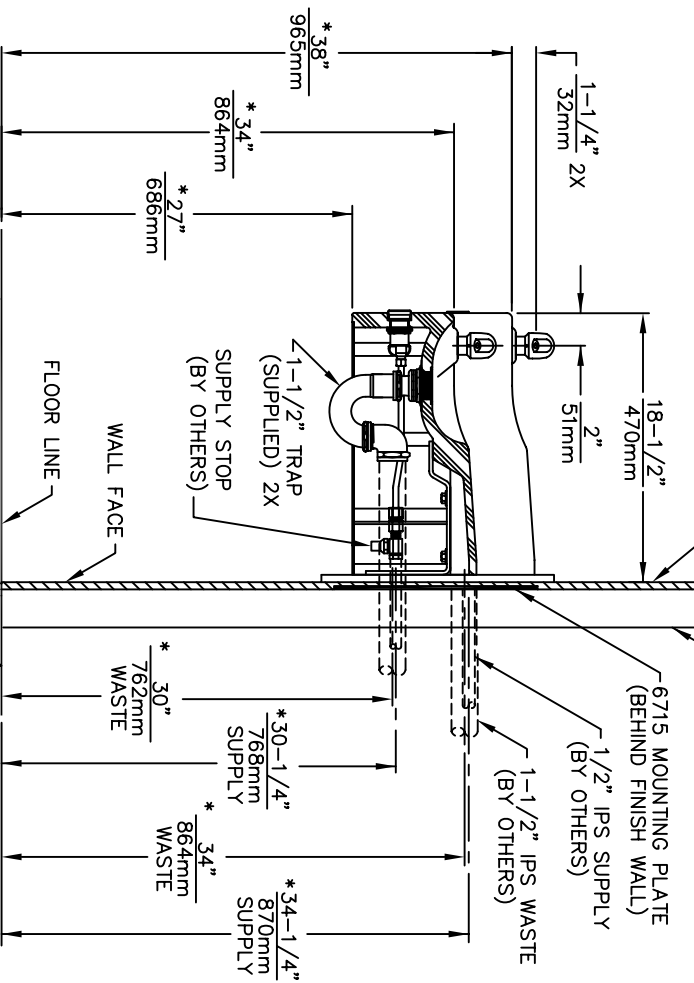




FINISH WALL OVER MOUNTING PLATE AND BEHIND BACKPANEL. BE CAREFUL THAT FINISHED WALL WALL EXTENDS WITHIN THE HAWS BACKPANEL.

**NOTES:**

- 1 3" DIMENSION TO SLOTTED OPENING ON MOUNTING PLATE MUST BE ON TOP L.H. SIDE WHEN INSTALLED.
- 2 4-5/16" DIMENSION TO SLOTTED OPENING ON BACK PANEL MUST BE ON TOP L.H. SIDE WHEN INSTALLED.
- 3 WHEN INSTALLING THIS UNIT, LOCAL, STATE OR FEDERAL CODES SHOULD BE ADHERED TO.
- 4 FOR INSTALLATIONS OTHER THAN HEIGHTS SHOWN, DIMENSIONS MARKED (\*) MUST BE ADJUSTED ACCORDINGLY.
- 5 REFER TO 5874/VRK5874 OPERATION AND MAINTENANCE MANUAL FOR PUSH BUTTON AND VALVE INSTALLATION/MAINTENANCE INSTRUCTIONS.



**Haws Corporation**

INFO FAX : 1-888-FAX-HAWS (1-888-329-4297)

1455 Kiappa Ln, Sparks NV, 89431 Phone: 775-359-4712 Fax: 775-359-7424

Haws AG, Buchweg 3, CH-3401 Burgdorf, Switzerland and Haws King Pte Ltd 74 Sungai Kodut Loop, Singapore 729531 e-mail: Haws@hawsco.com website: www.hawsco.com

ORDER NO.	15083A00
DATE	15083A00
REV	1
REV	1

REG. NO. 1085 MODEL(S):

DATE: 03/03 INFO FAX DOC #: 21058

APPROVED: DATE: SCALE: 1:1 DRAWING TYPE: INSTALLATION/FABRICATION



# INSTALLATION, OPERATION & MAINTENANCE INSTRUCTIONS

1455 Kleppe Lane ♦ Sparks, NV 89431-6467 ♦ (775) 359-4712 ♦ Fax (775) 359-7424  
HAWS AG ♦ Bachweg 3 ♦ CH-3401 Burgdorf ♦ Switzerland  
Haws Mfg. Pte Lt. ♦ 2A Sungei Kadet Drive ♦ Singapore 729554  
Avlis-Avenida Senador, Testonio Vilela ♦ 505 Jardim Aeroporto ♦ Itu, S.P. 13304-550 ♦ Brasil  
E-mail: [haws@hawsco.com](mailto:haws@hawsco.com) ♦ website: [www.hawsco.com](http://www.hawsco.com)

No. 2076442(4)

## Model 1085 Drinking Fountain

**NOTE TO INSTALLER: Please leave this information with the Maintenance Department.**

### LIMITED WARRANTY

HAWS® warrants that all of its products are guaranteed against defective material or poor workmanship for a period of **one year from date of shipment**. HAWS liability under this warranty shall be discharged by furnishing without charge F.O.B. HAWS Factory any goods, or part thereof, which shall appear to the Company upon inspection to be of defective material or not of first class workmanship, provided that claim is made in writing to company within a reasonable period after receipt of the product. Where claims for defects are made, the defective part or parts shall be delivered to the Company, prepaid, for inspection. HAWS will not be liable for the cost of repairs, alterations or replacements, or for any expense connected therewith made by the owner or his agents, except upon written authority from HAWS, Sparks, Nevada. HAWS will not be liable for any damages caused by defective materials or poor workmanship, except for replacements, as provided above. Buyer agrees that Haws has made no other warranties either expressed or implied in addition to those above stated, except that of title with respect to any of the products or equipment sold hereunder and that HAWS shall not be liable for general, special, or consequential damages claimed to arise under the contract of sale. The drinking fountain manufactured by HAWS is warranted to function if installation and maintenance instructions provided are adhered to. The units also must be used for the purpose for which they were intended.

**NO OTHER WARRANTIES EXPRESSED OR IMPLIED ARE AUTHORIZED, PROVIDED OR GIVEN BY HAWS.**

**SHOULD YOU EXPERIENCE DIFFICULTY WITH THE INSTALLATION OF THIS MODEL, PLEASE CALL:**

**1-800-766-5612**

**FOR PARTS CALL:**

**1-800-758-9378**

**(U.S.A. AND CANADA ONLY) MONDAY-THURSDAY: 6:00 A.M. – 4:00 P.M. PST  
FRIDAY: 6:00 A.M – 1:00 P.M. PST**

**RECOMMENDED TOOLS:** Hack saw, pipe joint sealant, screwdriver, level, 12" adjustable wrench, 10" pipe wrench, 5/64" hex key wrench, 9/16", 1/2", 7/16" socket wrench or open end wrench.

**LOCATION OF UNIT:** The Model 1085 Drinking Fountain is a wheelchair accessible drinking water facility. The height dimensions shown, meet current ADA requirements. When installing this unit, local, state or federal codes should be adhered to. If height other than shown is required, then dimensions must be adjusted accordingly.

**SUPPLY LINE:** The minimum recommended line size is 1/2"IPS with 30-90 psi (2-6 ATM) pressure. Where sediment or mineral content is a problem, an inlet filter is recommended.

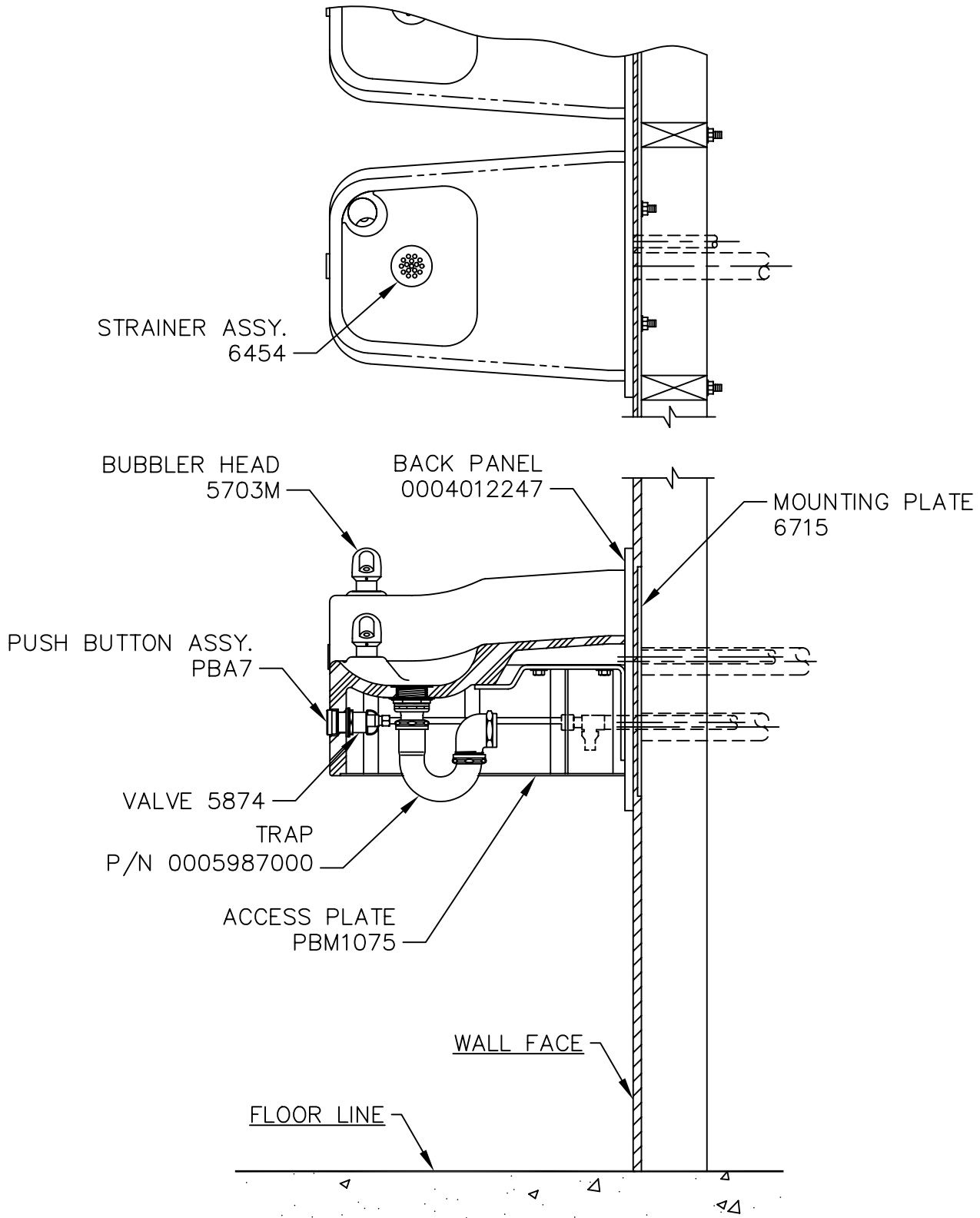
**PLUMBING CONNECTIONS:** Inlet is 3/8"O.D. compression fitting. Waste outlet is female 1-1/2" IPS.


**MAINTENANCE:** Periodically clean the strainer. Refer to 5874 Valve Manual for more information.

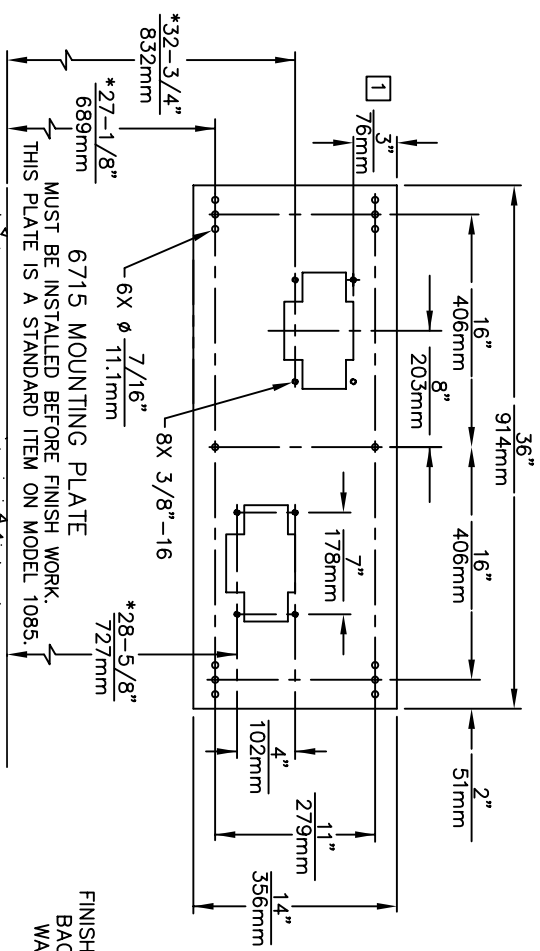
### TROUBLESHOOTING

PROBLEM	REPAIR CHECKLIST
1. Insufficient bubbler flow.	1a. Check that inlet screwdriver stop valve is in wide-open position. b. Verify minimum 30 psi flowing supply pressure. c. Clean strainer. See 5874 Valve Manual. d. Adjust valve to increase flow. Use front adjust screw or see 5874 Valve Manual.

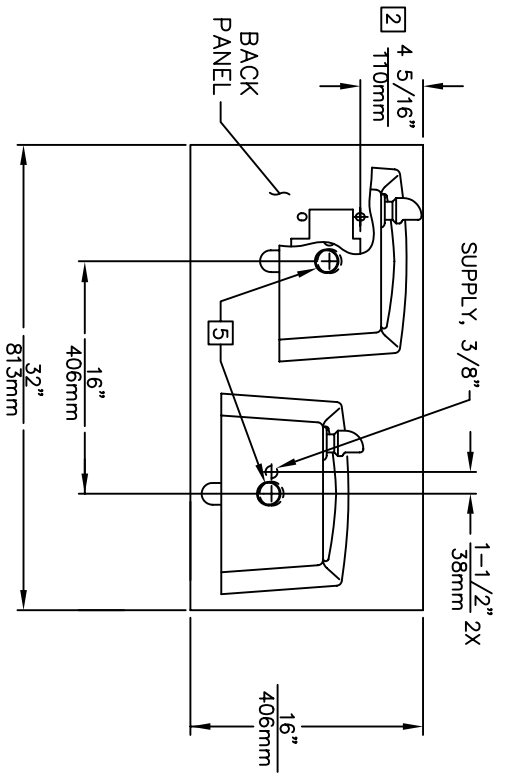
# PARTS BREAKDOWN



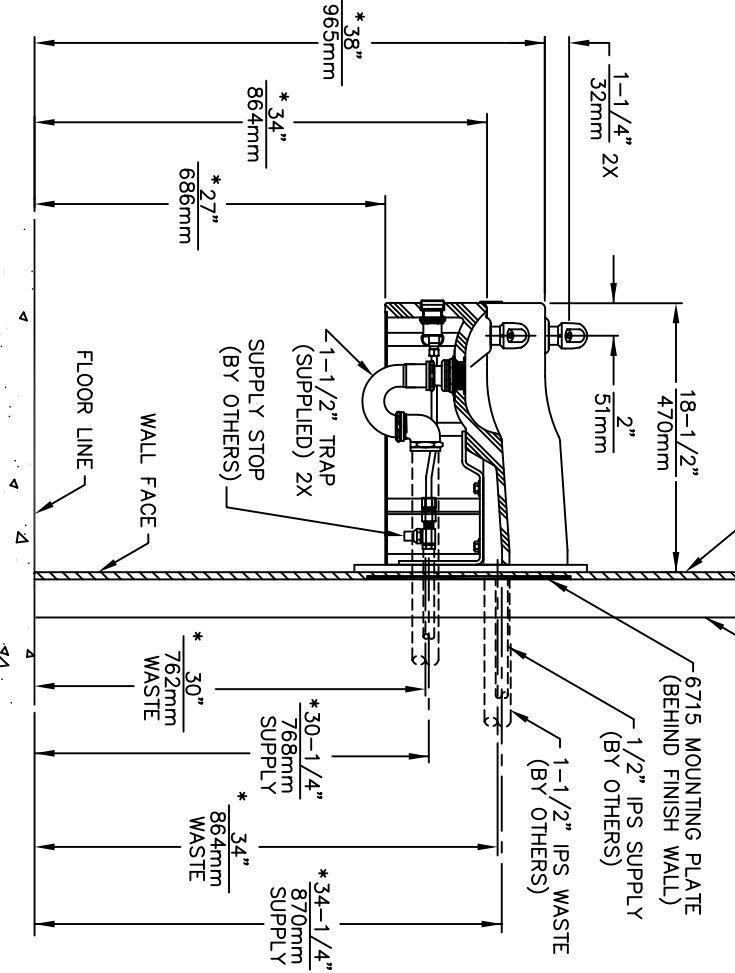
<b>WHEN ORDERING PARTS PLEASE SPECIFY YOUR MODEL NUMBER</b>			1455 KLEPPE LANE SPARKS, NEVADA		BACHWEG 3 CH3401 BURGDORF SWITZERLAND	
	DRAWN BY: J. FIGUEROA	DATE: 01/21/03	CHECK BY:	APP'D BY:	SCALE: 1/4.5	
	TITLE: 1085 WALL MOUNTED DRINKING FTN.				PART NUMBER: 0002076442	
	DRAWING TYPE: PARTS BREAKDOWN				DRAWING NUMBER: 15082A00	
					REV. 4	



6715 MOUNTING PLATE  
MUST BE INSTALLED BEFORE FINISH WORK.  
THIS PLATE IS A STANDARD ITEM ON MODEL 1085.



FINISH WALL OVER MOUNTING PLATE AND BEHIND BACKPANEL. BE CAREFUL THAT FINISHED WALL WALL EXTENDS WITHIN THE HAWS BACKPANEL.



- NOTES:**
- 3" DIMENSION TO SLOTTED OPENING ON MOUNTING PLATE MUST BE ON TOP L.H. SIDE WHEN INSTALLED.
  - 4-5/16" DIMENSION TO SLOTTED OPENING ON BACK PANEL MUST BE ON TOP L.H. SIDE WHEN INSTALLED.
  - WHEN INSTALLING THIS UNIT, LOCAL, STATE OR FEDERAL CODES SHOULD BE ADHERED TO.
  - FOR INSTALLATIONS OTHER THAN HEIGHTS SHOWN, DIMENSIONS MARKED (\*) MUST BE ADJUSTED ACCORDINGLY.
  - REFER TO 5874/VRK5874 OPERATION AND MAINTENANCE MANUAL FOR PUSH BUTTON AND VALVE INSTALLATION/MAINTENANCE INSTRUCTIONS.

**Haws Corporation**

INFO FAX : 1-888-FAX-HAWS (1-888-329-4297)

1455 Kiappa Ln, Sparks NV, 89431  
 Phone: 775-359-4712 Fax: 775-359-7424  
 Haws AG, Buchweg 3, CH-3401 Burgdorf, Switzerland  
 Haws King Pte Ltd, 74 Sungei Kodat Loop, Singapore 729531  
 e-mail: Haws@hawsco.com website: www.hawsco.com

REG. NO. 1085  
 MODEL(S):  
 DATE: 03/03  
 APPROVED: 2/27/03  
 INFO FAX DOC # 21058  
 SCALE: 1/2" = 1'-0"  
 DRAWING TYPE: INSTALLATION/FAKBACK

DATE: 02/06/06  
 SIZE: A  
 SHEET: 1 OF 1