

1107LBP

Wall Mounted Drinking Fountain



FEATURES & BENEFITS

Integrated Trap

Spacious fountain design allows for the trap to be internally mounted which allows for easy access, and aids and reduces the installation process.

Antimicrobially Treated

Specific components are antimicrobially treated using the natural protection of silver. Silver helps protect against the growth of mold and mildew on the treated components. Treated surfaces include bubbler head, push button, waste strainer and trap.

Quality Control

Fountain is pre-built and fully water and pressure tested to ensure no leaks and proper function for reduced installation time and added peace of mind.

Finish

Beautiful #4 satin stainless steel finish basin can be easily cleaned and maintained while also resisting corrosion.

Push Button

With its patented (Pat.# 6,981,692) push-button valve assembly which allows for front access stream adjustment as well as cartridge and strainer access, this fountain offers the ultimate in ease of maintenance.

Access

Low profile designed bowl and integral trap that is set back for knee clearance allows for adult or child ADA access (when installed at appropriate heights).

Construction

Heavy-duty 14 gauge Type 304 Stainless Steel construction with integral 1/4" mounting plates for extra durability. Unit also includes vandal-resistant bottom plates for added peace-of-mind.

Bubbler Head

Polished chrome-plated brass bubbler head features an integral basin shank for added strength, and is equipped with a shielded, anti-squirt orifice that provides a steady sanitary source of water.



SPECIFICATIONS

Model 1107LBP wall mounted barrier-free drinking fountain shall include a 14 gauge Type 304 Stainless Steel satin finish basin with back panel and integral 1/4" stainless steel mounting plate, antimicrobially treated push-button, bubbler head, waste strainer and trap to protect against the growth of mold and mildew on the treated components. Push-button operated valve with front-accessible cartridge and flow adjustment, polished chrome-plated brass vandal-resistant bubbler head, polished chrome-plated brass vandal-resistant waste strainer, vandal-resistant bottom plate, and a 1-1/4" IPS internal trap. Unit can be mounted to meet ADA or Child ADA specifications.

APPLICATIONS

Perfect for schools, airports, shopping malls and other high traffic areas. When installed properly, the heavy-duty, low profile design of the 1107LBP meets all current Americans with Disabilities Act requirements while providing an integrated trap that is ideal for quick installation, and can easily be installed on concrete or solid walls eliminating the need to provide "in-wall" trap access. The vandal-resistant bottom plate and 1/4" integral mounting plate also bring added peace of mind.

Model meets all current Federal Regulations for the disabled including those in the Americans with Disabilities Act. Haws manufactures drinking fountains, electric water coolers and electric drinking fountains to be lead-free by all known definitions including ANSI/NSF Standard 61, Section 9, California Proposition 65, and the Federal Safe Drinking Water Act.

OPTIONS

- Bubbler Head: Model 5725 EnviroGard™ bubbler is a polished chrome-plated solid brass bubbler head with stainless steel water activated pop up canopy. (Pat.# 7,025,282)
- Filter: Model 6426, 12" x 2", in-line lead removal element that reduces lead from incoming water supply.
- Mounting: Model 6700 universal mounting plate for most wall mounted fountains.
- Support Carrier: Model 6800 universal in-wall mounting support for use with most fountains.

To see all options for this model, visit www.hawsc.com.



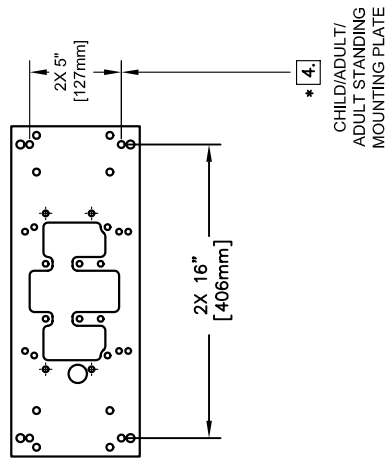
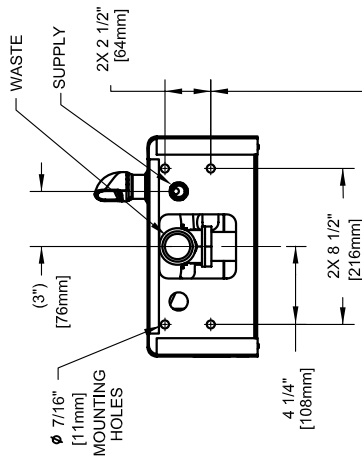
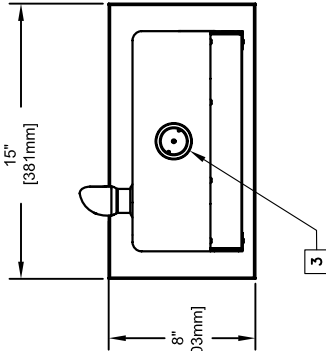
THIS DOCUMENT IS TRUE AND CORRECT AT TIME OF PUBLICATION. CONTINUED PRODUCT IMPROVEMENTS MAKE SPECIFICATIONS AND MEASUREMENTS SUBJECT TO CHANGE WITHOUT NOTICE.

NOTES:

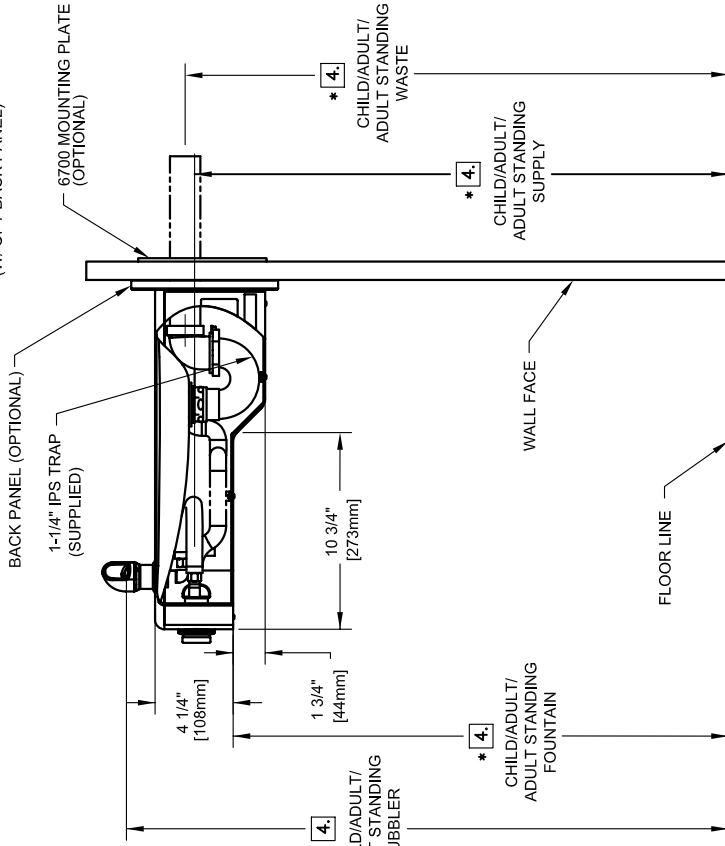
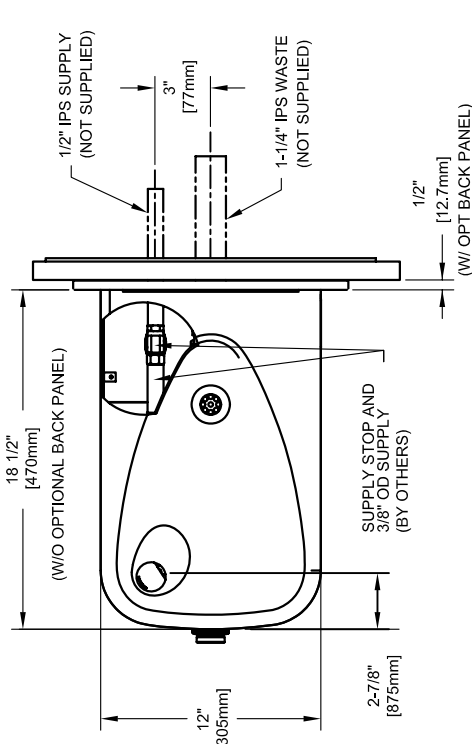
1. HOLD ROUGH-IN DIMENSIONS $\pm 1/8"$ (3.2mm)
2. WHEN INSTALLING THIS UNIT, LOCAL, STATE OR FEDERAL CODES SHOULD BE ADHERED TO. FOR INSTALLATION DIMENSIONS (LOCATIONS), WASTE AND SUPPLY REQUIREMENTS OTHER THAN SHOWN, DIMENSIONS MARKED (*) MUST BE ADJUSTED ACCORDINGLY.
WITH (*) MUST BE ADJUSTED ACCORDINGLY.
3. REFER TO 5874/VRK5874 OPERATION AND MAINTENANCE MANUAL FOR PUSH BUTTON AND VALVE INSTALLATION AND MAINTENANCE INSTRUCTIONS.

ROUGH IN DIMENSIONS FOR FOUNTAIN HEIGHTS:

- CHILD WHEELCHAIR HEIGHT: SEE SHT 2 FIG 1
- WASTE: 26-1/4" (667mm)
 - SUPPLY: 26-1/8" (664mm)
 - MOUNTING HOLE: 24-13/16" (630mm)
 - MOUNTING PLATE: 23-3/16" (589mm)
 - FOUNTAIN: 24" (610mm)
 - BUBBLER: 29-7/8" (756mm)
- ADULT WHEELCHAIR HEIGHT: SEE SHT 2 FIG 2
- WASTE: 29-1/4" (743mm)
 - SUPPLY: 29-1/8" (740mm)
 - MOUNTING HOLE: 27-13/16" (706mm)
 - MOUNTING PLATE: 26-3/16" (665mm)
 - FOUNTAIN: 27" (686mm)
 - BUBBLER: 32-7/8" (832mm)
- STANDING ADULT HEIGHT: SEE SHT 2 FIG 3
- WASTE: 34-3/4" (883mm)
 - SUPPLY: 34-5/8" (879mm)
 - MOUNTING HOLE: 33-5/16" (846mm)
 - MOUNTING PLATE: 31-11/16" (805mm)
 - FOUNTAIN: 32-1/5" (826mm)
 - BUBBLER: 38-3/8" (972mm)



MOUNTING DETAIL
BACK VIEW



MOUNTING PLATE
(OPTIONAL, HAWS 6700)



INFO FAX : 1-888-FAX-HAWS (1-888-329-4297)
1455 Kleppe Ln, Sparks NV, 89431
Phone: 775-359-4712 Fax: 775-359-7424
Haws Ag, Bachweg 3, CH-3401 Burgdorf Switzerland
Haws Mfg Pte Ltd 74 Sungai Kadut Loop Singapore 729531
e-mail: Haws@hawsco.com website: www.hawsco.com

REV	DATE	BY	CHKD	APPV	SCALE	HT	TRAINING TYPE	INSTALLATION / FEEDBACK
001	07/08	00232D						
002	07/08	15267A00						



INSTALLATION, OPERATION & MAINTENANCE INSTRUCTIONS

1455 Kleppe Lane ♦ Sparks, NV 89431-6467 ♦ (775) 359-4712 ♦ Fax (775) 359-7424
HAWS AG ♦ Bachweg 3 ♦ CH-3401 Burgdorf ♦ Switzerland
Haws Mfg. Pte Lt. ♦ 2A Sungei Kadet Drive ♦ Singapore 729554
Avlis-Avenida Senador, Testonio Vilela ♦ 505 Jardim Aeroporto ♦ Itu, S.P. 13304-550 ♦ Brasil
E-mail: haws@hawsco.com ♦ website: www.hawsco.com

No. 2080232(3)

Model 1107L Drinking Fountain

NOTE TO INSTALLER: Please leave this information with the Maintenance Department.

LIMITED WARRANTY

HAWS® warrants that all of its products are guaranteed against defective material or poor workmanship for a period of **one year from date of shipment**. HAWS liability under this warranty shall be discharged by furnishing without charge F.O.B. HAWS Factory any goods, or part thereof, which shall appear to the Company upon inspection to be of defective material or not of first class workmanship, provided that claim is made in writing to company within a reasonable period after receipt of the product. Where claims for defects are made, the defective part or parts shall be delivered to the Company, prepaid, for inspection. HAWS will not be liable for the cost of repairs, alterations or replacements, or for any expense connected therewith made by the owner or his agents, except upon written authority from HAWS, Sparks, Nevada. HAWS will not be liable for any damages caused by defective materials or poor workmanship, except for replacements, as provided above. Buyer agrees that Haws has made no other warranties either expressed or implied in addition to those above stated, except that of title with respect to any of the products or equipment sold hereunder and that HAWS shall not be liable for general, special, or consequential damages claimed to arise under the contract of sale. The drinking fountain manufactured by HAWS is warranted to function if installation and maintenance instructions provided are adhered to. The units also must be used for the purpose for which they were intended.

NO OTHER WARRANTIES EXPRESSED OR IMPLIED ARE AUTHORIZED, PROVIDED OR GIVEN BY HAWS.

SHOULD YOU EXPERIENCE DIFFICULTY WITH THE INSTALLATION OF THIS MODEL, PLEASE CALL:

1-800-766-5612

FOR PARTS CALL:

1-800-758-9378

**(U.S.A. AND CANADA ONLY) MONDAY-THURSDAY: 6:00 A.M. – 4:00 P.M. PST
FRIDAY: 6:00 A.M – 1:00 P.M. PST**

RECOMMENDED TOOLS: Hack saw, pipe joint sealant, screwdriver, level, 12" adjustable wrench, 10" pipe wrench, 5/64" hex key wrench, 9/16", 1/2", 7/16" socket wrench or open end wrench.

LOCATION OF UNIT: The Model 1107L Drinking Fountain is a wheelchair accessible drinking water facility. The height dimensions shown, meet current ADA requirements. When installing this unit, local, state or federal codes should be adhered to. If height other than shown is required, then dimensions must be adjusted accordingly.

SUPPLY LINE: The minimum recommended line size is 1/2"IPS with 30-90 psi (2-6 ATM) pressure. Where sediment or mineral content is a problem, an inlet filter is recommended.

PLUMBING CONNECTIONS: Inlet is 3/8"O.D. compression fitting. Waste outlet is female 1-1/4" IPS.

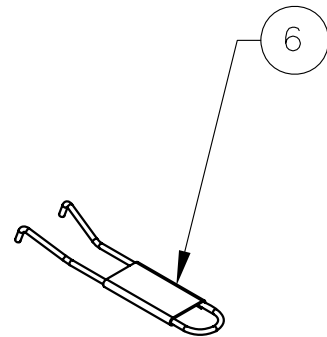
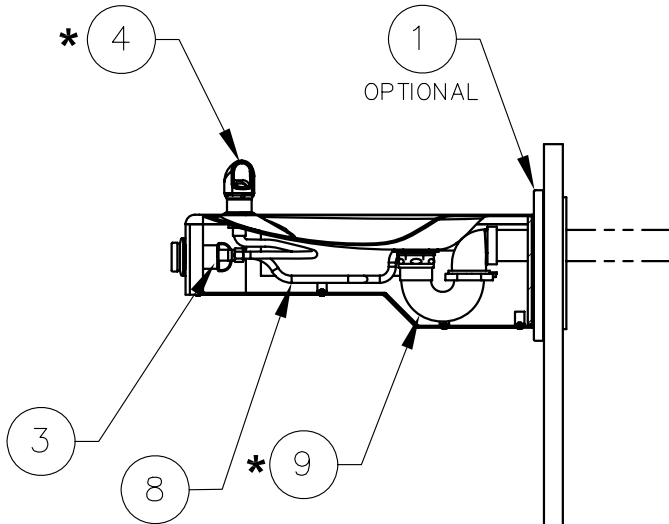
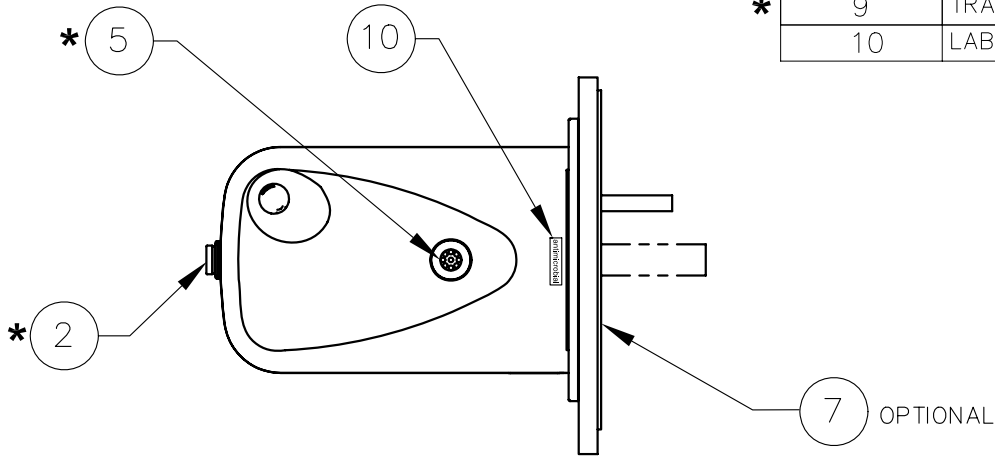
MAINTENANCE: Periodically clean the strainer. Refer to 5874 Valve Manual for more information.

TROUBLESHOOTING

PROBLEM	REPAIR CHECKLIST
1. Insufficient bubbler flow.	1a. Check that inlet screwdriver stop valve is wide open. (Customer supplied). Turn counterclockwise. b. Verify minimum 30 psi flowing supply pressure. c. Clean strainer. See 5874 Valve Manual. d. Adjust valve to increase flow. Use front adjust screw or see 5874 Valve Manual.

PARTS BREAKDOWN

ITEM	DESCRIPTION
OPTIONAL 1	BACK PANEL SMALL 0004023600
* 2	BUTTON ANTIMICROBIAL PBA6A
3	VALVE 5874
* 4	HEAD ANTIMICROBIAL 5703MA
* 5	STRAINER ANTIMICROBIAL 6462A
6	SPANNER WRENCH P/N 0006983506
OPTIONAL 7	MOUNTING PLATE 6700
8	BOTTOM PLATE P/N 0004449315
* 9	TRAP ANTIMICROBIAL 0005982901
10	LABEL ANTIMICROBIAL 0003149795



NOTE:

1. ASTERISK (*) DENOTES PARTS WITH AN ANTIMICROBIAL COATING.

WHEN ORDERING PARTS PLEASE SPECIFY YOUR MODEL NUMBER



1455 KLEPPE LANE
SPARKS, NEVADA

BACHWEG 3
CH3401 BURGDORF
SWITZERLAND

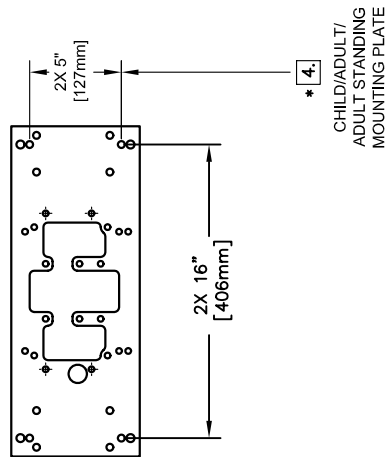
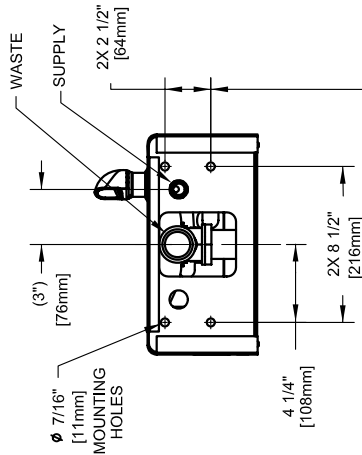
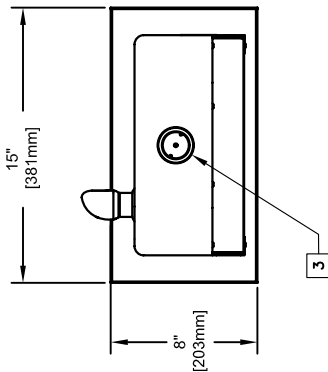
DRAWN BY: C.FENNER	DATE: 10/25/06	CHECK BY:	APP'D BY:	SCALE: 1/1
TITLE: 1107L			PART NUMBER: 0002080232	
DRAWING TYPE: PARTS BREAKDOWN			DRAWING NUMBER: 15266A00	REV: 3

NOTES:

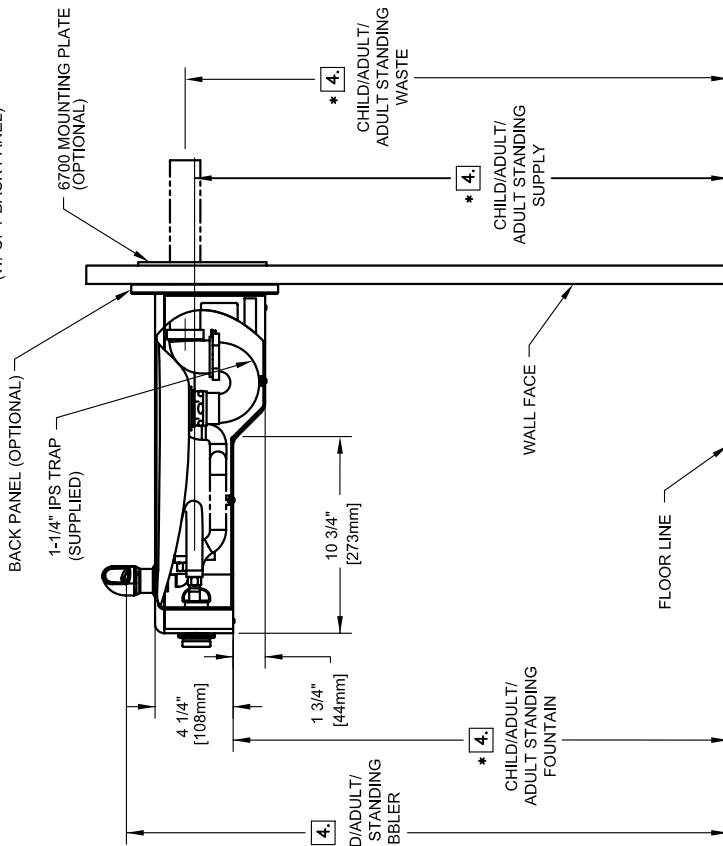
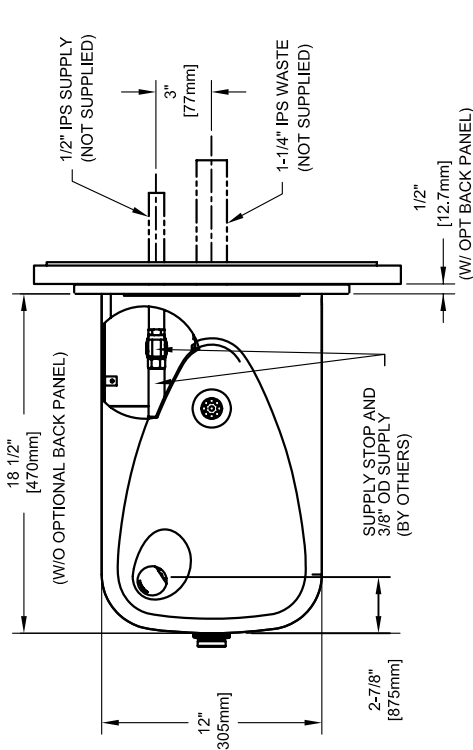
1. HOLD ROUGH-IN DIMENSIONS $\pm 1/8"$ (3.2mm)
2. WHEN INSTALLING THIS UNIT, LOCAL, STATE OR FEDERAL CODES SHOULD BE ADHERED TO. FOR INSTALLATION DIMENSIONS (LOCATIONS), WASTE AND SUPPLY REQUIREMENTS OTHER THAN SHOWN, DIMENSIONS MARKED (*) MUST BE ADJUSTED ACCORDINGLY. WITH (*) MUST BE ADJUSTED ACCORDINGLY.
3. REFER TO 5874/VRK5874 OPERATION AND MAINTENANCE MANUAL FOR PUSH BUTTON AND VALVE INSTALLATION AND MAINTENANCE INSTRUCTIONS.

ROUGH IN DIMENSIONS FOR FOUNTAIN HEIGHTS:

- CHILD WHEELCHAIR HEIGHT: SEE SHT 2 FIG 1
- WASTE: 26-1/4" (667mm)
 - SUPPLY: 26-1/8" (664mm)
 - MOUNTING HOLE: 24-13/16" (630mm)
 - MOUNTING PLATE: 23-3/16" (589mm)
 - FOUNTAIN: 24" (610mm)
 - BUBBLER: 29-7/8" (756mm)
- ADULT WHEELCHAIR HEIGHT: SEE SHT 2 FIG 2
- WASTE: 29-1/4" (743mm)
 - SUPPLY: 29-1/8" (740mm)
 - MOUNTING HOLE: 27-13/16" (706mm)
 - MOUNTING PLATE: 26-3/16" (665mm)
 - FOUNTAIN: 27" (686mm)
 - BUBBLER: 32-7/8" (832mm)
- STANDING ADULT HEIGHT: SEE SHT 2 FIG 3
- WASTE: 34-3/4" (883mm)
 - SUPPLY: 34-5/8" (879mm)
 - MOUNTING HOLE: 33-5/16" (846mm)
 - MOUNTING PLATE: 31-11/16" (805mm)
 - FOUNTAIN: 32-1/5" (826mm)
 - BUBBLER: 38-3/8" (972mm)



MOUNTING DETAIL
BACK VIEW



MOUNTING PLATE
(OPTIONAL, HAWS 6700)

INFO FAX : 1-888-FAX-HAWS (1-888-329-4297)
1455 Kleppe Ln, Sparks NV, 89431
Phone: 775-359-4712 Fax: 775-359-7424
Haws Ag, Bachweg 3, CH-3401 Burgdorf Switzerland
Haws Mfg Pte Ltd 174 Sungai Kadut Loop Singapore 729531
e-mail: Haws@hawsco.com website: www.hawsco.com

REV. NO.	ISSUED FOR	DATE	SCALE	BY	CHKD.	APPV'D.
3761	ECN: 4148	10/06	1:1	1107L		
MODEL(S):			INFO. FAX. DOC. #:	1107L		
TRAINING TYPE:			SCALE:	15267A00		
SHEET:			1 OF 1			