



Illustrated Parts Breakdown

WATER COOLER MODELS
P8AM PAM



Specifications

MODEL: P8AM

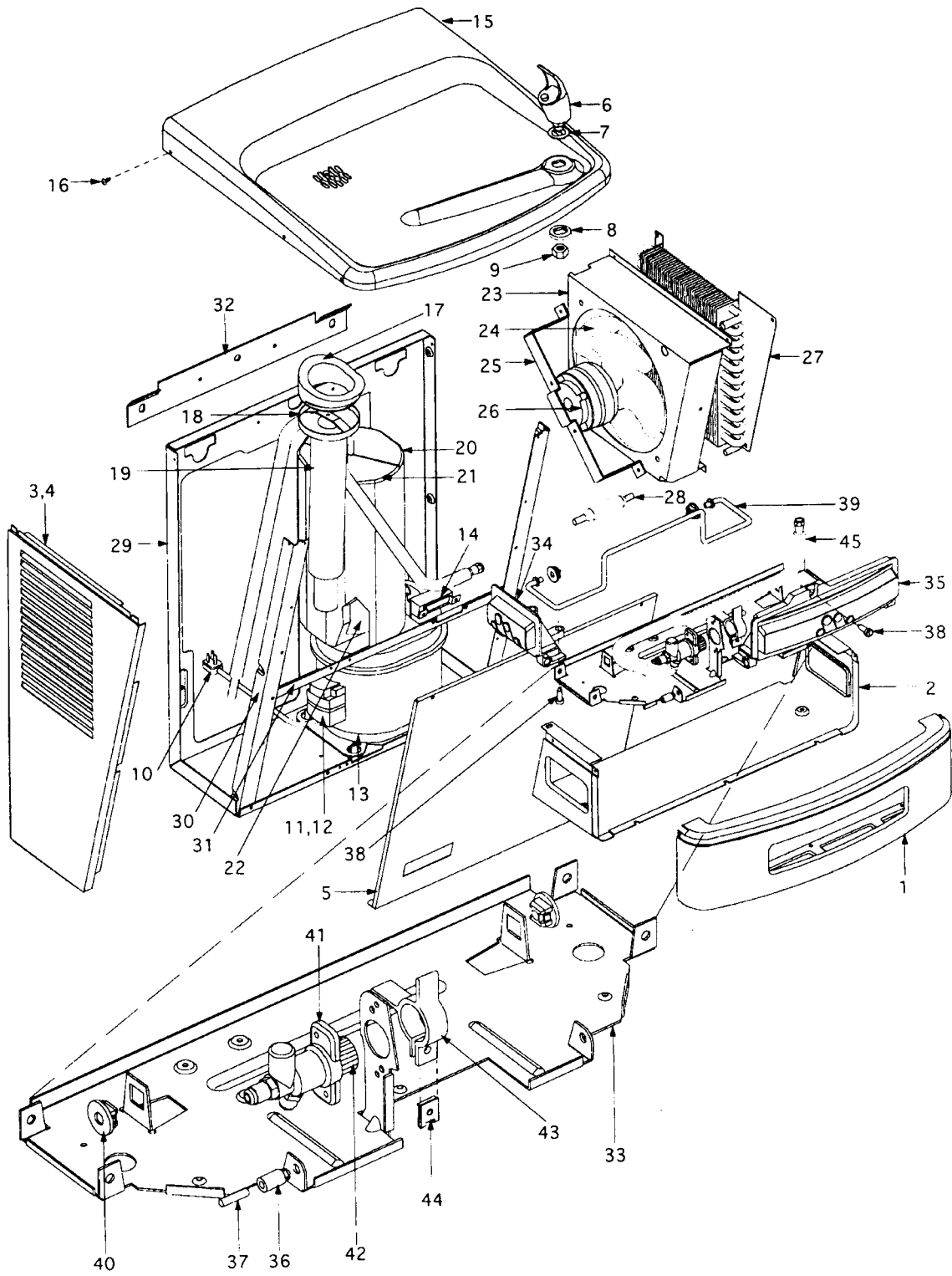
Voltage115 VAC \pm 10%/1PH/60Hz
 Size (Approx).....27" H., 20-1/4" W., 20-1/2" D.
 Shipping Weight (Approx).....70 lbs.
 Cold Water Capacity (GPH)*8
 Compressor (HP)1/5
 Compressor (Amps) (Full Load)5.0
 RefrigerantR-134A
 Refrigerant Charge.....3.875 oz. (110 grams)

MODEL: PAM

Size (Approx)27" H., 20-1/4" W., 20-1/2" D.
 Shipping Weight (Approx).....30 lbs.

* A.R.I. Rating: Room Temperature 90°F; Supply Water Temperature 80°F; Drinking Water Temperature 50°F. Based on standard test procedures.

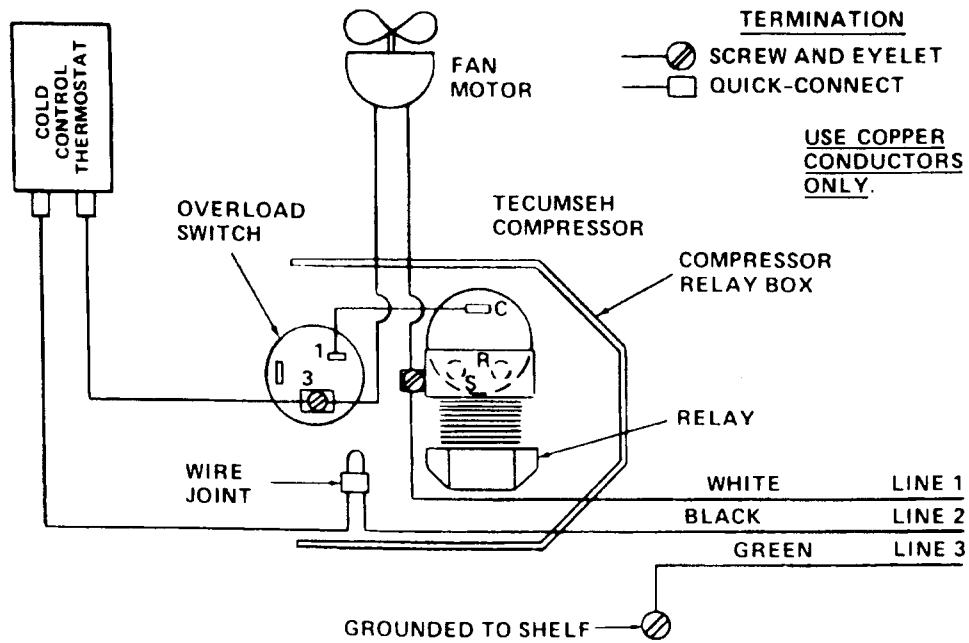
Specifications subject to change without notice.



PARTS LIST

ITEM NO.	DESCRIPTION	P8AM	PAM
1	Front Nose, Sandstone	031754-006	031754-006
	Front Nose, Greystone	031754-005	031754-005
	Front Nose, Stainless	031754-007	031754-007
	Front Nose, Painted (tan)	031754-008	031754-008
2	Housing, Middle Sandstone	031753-002	031753-002
	Housing, Middle Greystone	031753-001	031753-001
	Housing, Middle Stainless	031753-003	031753-003
	Housing, Middle Painted (tan)	031753-005	031753-005
3	Panel, Side Left Sandstone	031751-002	031751-002
	Panel, Side Left Greystone	031751-001	031751-001
	Panel, Side Left Stainless	031751-003	031751-003
	Panel, Side Left Painted (tan)	031751-005	031751-005
4	Panel, Side Right Sandstone	031750-002	031750-002
	Panel, Side Right Greystone	031750-001	031750-001
	Panel, Side Right Stainless	031750-003	031750-003
	Panel, Side Right Painted (tan)	031750-005	031750-005
5	Panel, Front Sandstone	031752-002	031752-002
	Panel, Front Greystone	031752-001	031752-001
	Panel, Front Stainless	031752-003	031752-003
	Panel, Front Painted (tan)	031752-005	031752-005
6	Bubbler Valve	031760-003	031760-003
	Nozzle Assembly	030029-005	030029-005
7	Gasket	028706-031	028706-031
8	Washer, Undertop	028706-030	028706-030
9	Nut	026824-019	026824-019
10	Cord Assy, Power Supply	026540-040	---
11	Overload, MRP26ALL-69	031697-001	---
12	Relay, 9660-043-166	031698-001	---
13	Compressor Assembly (includes 11 & 12)	032124-001	---
14	Control, Cold	027040-007	---
15	Top	031714-001	031714-001
16	Screw, Torx Hd	031875-005	031875-005
17	Gasket, Waste	031756-001	031756-001
18	Waste Assy, Insulated	032126-001	032126-001
19	Insulation, Waste Assy	031497-006	031497-006
20	Insulation, Cooling Tank R/H	031898-001	---
21	Insulation, Cooling Tank L/H	031899-001	---
22	Cooling Tank Assy, Insulated	031775-002	---
23	Shroud, Fan	031767-001	---
24	Blade, Fan	024033	---
25	Bracket, Fan Motor	026969	---
26	Motor, Fan	027354-026	---
27	Condenser	031766-001	---
28	Drier, Refrigerant	031593-003	---
29	Frame, Back/Bottom	031747-001	031747-001
30	Strut, Support	031748-001	031748-001
31	Angle, Cross Brace	031772-001	031772-001
32	Hanger Bracket	031363-002	031363-002
33	Shelf, Activation	031853-001	031853-001
34	Push Button Assy, R/H	031951-001	031951-001
	Push Button Assy, L/H	031951-002	031951-002
35	Push Button, Front	031763-001	031763-001
36	Body, Push Rivet	031856-001	031856-001
37	Rivet, Push	031859-001	031859-001
38	Screw, Adjust	031858-001	031858-001
39	Rod, Activation	031854-002	031854-002
40	Bushing, Rod	031857-002	031857-002
41	Valve Body	032045-002	032045-002
42	Stem Assy	031759-001	031759-001
43	Wheel Arm, Valve	031765-001	031765-001
44	Clip, U Type	030409-002	030409-002
45	Tube Assy, Valve to Bubbler	031739-002	031739-002
Items Not Shown			
	Heat Exchanger Assy	031869-001	
	Brace Panel (PAM)	---	032102-001
	Tube Assy, Water Supply (PAM)	---	032041-001

WIRING DIAGRAM



P8AM

OASIS Corporation

265 N Hamilton Rd • PO Box 13150 • Columbus OH 43213
614/861-1350 • 614/861-0231 Fax

