

3150

Pedestal Mounted Drinking Fountain



FEATURES & BENEFITS

Bubbler Head

Polished chrome-plated brass bubbler head features an integral basin shank for added strength, and is equipped with a shielded, anti-squirt orifice that provides a steady sanitary source of water.

Drain Clean-Out

Top-down access to the drain allows the fountain to be cleaned without taking the unit apart, which is ideal for outdoor settings that are high in drain-clogging sediment like leaves, garbage, and other debris.

Construction

Heavy-duty vibra-cast reinforced concrete construction with exposed aggregate finish provide a perfect addition to outside environments, along with vandal-resistant bottom and access plates for added peace of mind. Stainless steel basin with a high-polished finish compliments almost any setting, and it also resists stains and corrosion.

Barrier-Free

Configurable to Adult or Child barrier-free capabilities combined with its ease of use allows for a number of installation location possibilities.

Push Button

With its patented (Pat.# 6,981,692) push-button valve assembly which allows for front access stream adjustment as well as cartridge and strainer access, this fountain offers the ultimate in ease of maintenance.



OPTIONS

- Bubbler Head: Model 5725 EnviroGard™ bubbler is a polished chrome-plated solid brass bubbler head with stainless steel water activated pop up canopy. (Pat.# 7,025,282)
- Hose Bib: Model 6275, compression hose bib faucet assembly with rough chrome-plated finish.
- Filter: Model 6426, 12" x 2", in-line lead removal element that reduces lead from incoming water supply.
- Sand Trap: Model 6611, sand trap for installing adjacent to pedestal drinking fountains to help prevent debris and contaminants from clogging waste line.

To see all options for this model, visit www.hawesco.com.

SPECIFICATIONS

Model 3150 "Hi-Lo" adult or child barrier-free square concrete pedestal drinking fountain shall include polished stainless steel basins, adjustable height child ADA capable arm, push-button operated valves with front-accessible cartridge and flow adjustment, polished chrome-plated brass vandal-resistant bubbler heads protected by hood extensions, polished chrome-plated vandal-resistant waste strainers with top-down clean-out access, Portland Gray exposed aggregate concrete finish with wire reinforcement, integral mounting plate, vandal-resistant stainless steel access plates, and 1-1/2" slip waste.

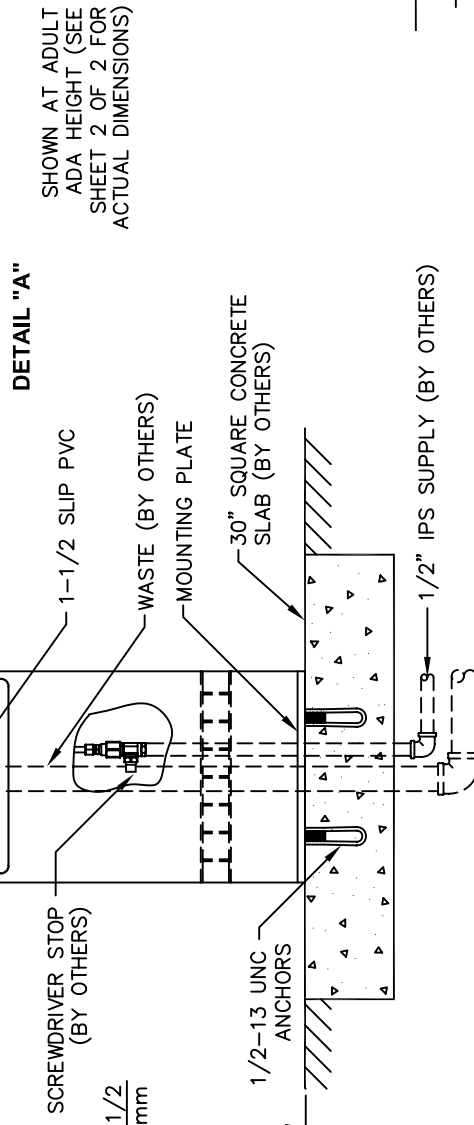
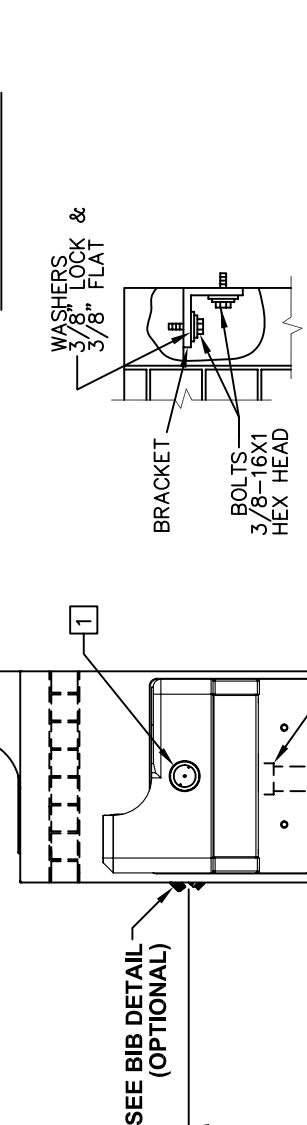
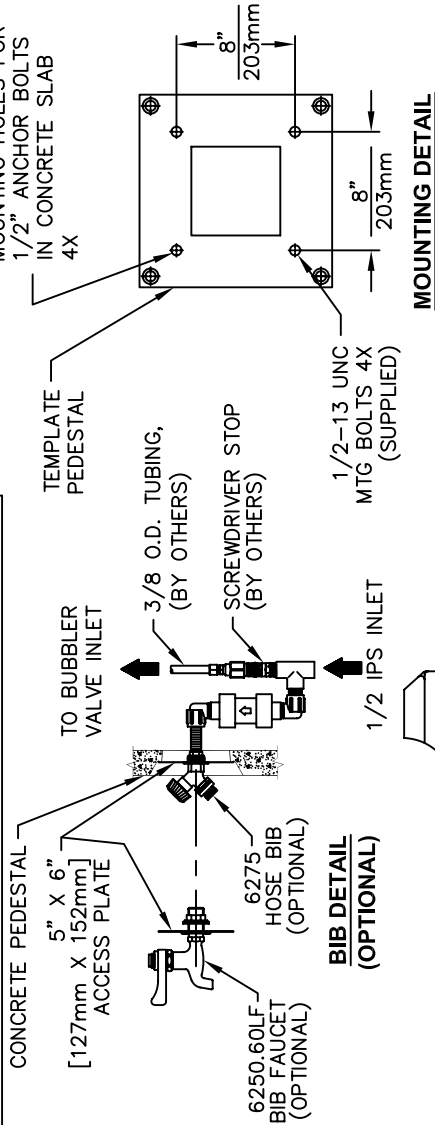
APPLICATIONS

Perfect for either public or private settings, our concrete vibra-cast series is a great fit in "open-air" environments. Suitable in areas where weather conditions may be cause for concern, this series stands strong from the forest to the beach. Reinforced concrete vibra-cast design not only protects from corrosion, its Portland Gray color makes it recognizable enough to locate without compromising the outdoor atmosphere. This type of pedestal drinking fountain may also be placed in a variety of settings such as: parks, schools, and other recreational outdoor environments where the temperature remains above freezing.

Model meets all current Federal Regulations for the disabled including those in the Americans with Disabilities Act. Haws manufactures drinking fountains, electric water coolers and electric drinking fountains to be lead-free by all known definitions including ANSI/NSF Standard 61, Section 9, California Proposition 65, and the Federal Safe Drinking Water Act.



THIS DOCUMENT IS TRUE AND CORRECT AT TIME OF PUBLICATION. CONTINUED PRODUCT IMPROVEMENTS MAKE SPECIFICATIONS AND MEASUREMENTS SUBJECT TO CHANGE WITHOUT NOTICE.



NOTES:

- REFER TO 5874/VRK5874 OPERATION AND MAINTENANCE MANUAL FOR PUSH BUTTON AND VALVE INSTALLATION/MAINTENANCE INSTRUCTIONS.
- PATENT NO. 353,739
- SIDE ARM IS ADJUSTABLE TO ACCOMMODATE EITHER CHILD OR ADULT HEIGHTS (SEE SHEET 2 OF 2 FOR DETAILS).

NOTES CONTINUED ON SHEET 2 OF 2.

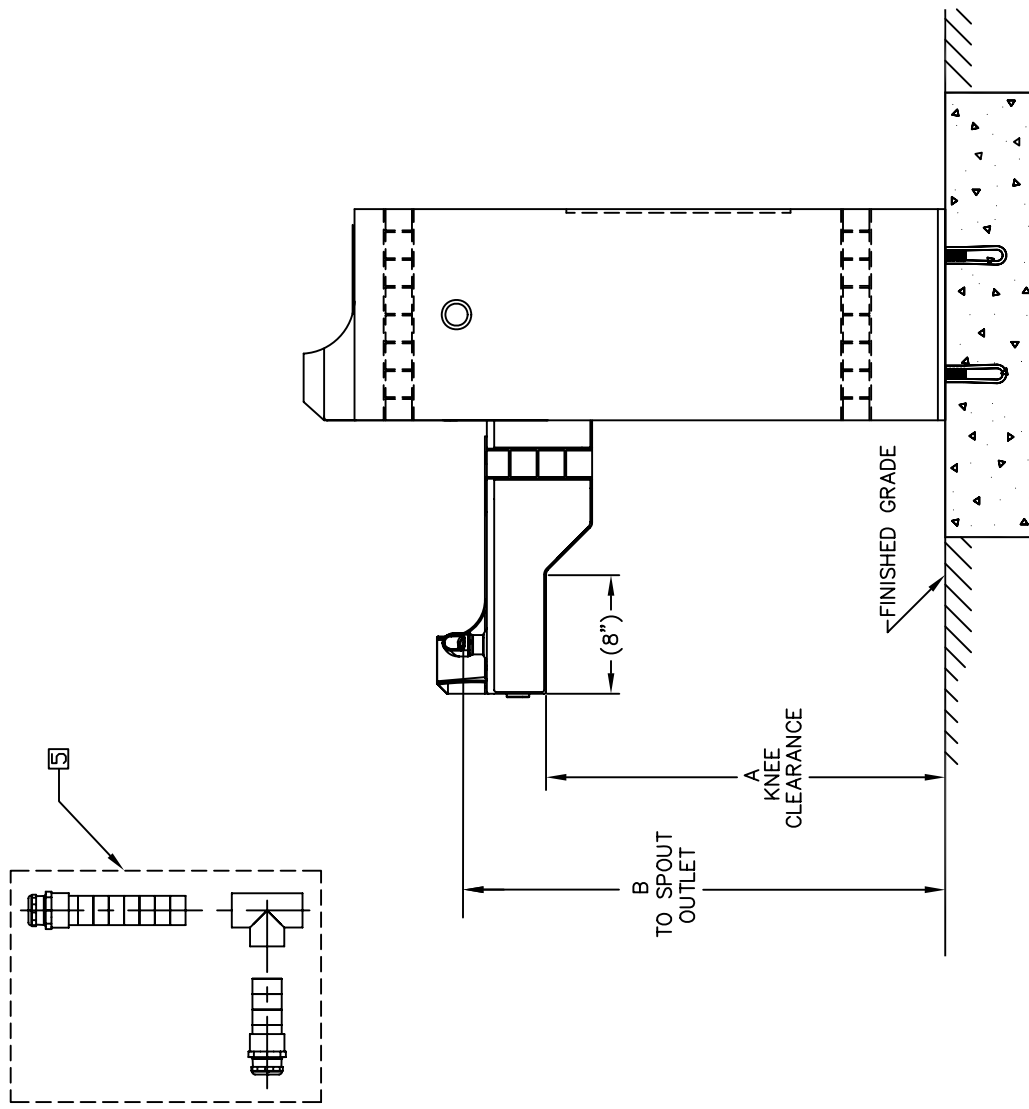
Haws Corporation

INFO FAX : 1-888-FAX-HAWS (1-888-329-4297)
1455 Kleppe Ln, Sparks NV, 89431
Phone: 775-359-4712 Fax: 775-359-7424
Haws Ag, Bachweg 3, CH-3401 Burgdorf Switzerland
Haws Mfg Pte Ltd 74 Sungai Kadut Loop Singapore 729531
e-mail: Haws@hawsco.com website: www.hawsco.com

FOR NO.	REVISED PER	DATE	BY	DATE	APPROVED
	ECN: 4144	9/92	SLS		
MODEL(S):	000707070.D				
DRAWING NUMBER:	1032400 18				
SCALE:	1" = 1" 1 OF 2				

INSTALLATION FABRICATION

THIS DOCUMENT IS TRUE AND CORRECT AT TIME OF PUBLICATION. CONTINUED PRODUCT IMPROVEMENTS MAKE SPECIFICATIONS AND MEASUREMENTS SUBJECT TO CHANGE WITHOUT NOTICE.



AVAILABLE ARM HEIGHTS		
DIM	ADULT ADA	CHILD ADA
A	27" / 686mm	24" / 610mm
B	32-3/4" / 832mm	29-3/4" / 756mm

Haws Corporation
 INFO FAX : 1-888-FAX-HAWS (1-888-329-4297)
 1455 Kleppe Ln, Sparks NV, 89431
 Phone: 775-359-4712 Fax: 775-359-7424
 Haws Ag, Bachweg 3, CH-3401 Burgdorf Switzerland
 Haws Mfg Pte Ltd 74 Sungai Kadut Loop Singapore 729531
 e-mail: Haws@hawsco.com website: www.hawsco.com

MODEL(S): 000707070.D
 DRAWING NUMBER: 1032400-18
 FOR NO. ECN: 4144 SLS
 DATE: 9/92 REV: 1
 APPROVE: DATE SCALE: 1:1.3
 INFO FAX DOC #: 23150
 DRAWING TYPE: INSTALLATION/FABRACK
 SHEET: A OF 2

FIGURE 1

- NOTES:**
- [4] BASED ON DESIRED HEIGHT (CHILD OR ADULT) OF ARM, ORIENT BACKPLATE AS SHOWN IN FIGURE 1 AND USE APPROPRIATE SHADED HOLES.
 - [5] WASTE ASSEMBLY IS SUPPLIED DISASSEMBLED. THE SHORTER OF THE TWO PIECES IS FOR THE ARM DRAIN, AND MUST BE INSTALLED SO THAT ANY BEND IN THE FLEX TUBING WILL ALLOW WATER TO DRAIN COMPLETELY. THE LONGER IS FOR THE PEDESTAL DRAIN AND IS SUPPLIED AT THE LENGTH REQUIRED TO ASSEMBLE THE UNIT WITH THE ARM AT CHILD HEIGHT. IN ORDER TO ASSEMBLE AT ADULT HEIGHT, 3" MUST BE CUT FROM THE END OF THE FLEX TUBING PRIOR TO ASSEMBLY. TEE IS TO BE GLUED TO THE FLEX TUBING WASTE ARMS USING PVC PIPE CEMENT.



INSTALLATION, OPERATION & MAINTENANCE INSTRUCTIONS

1455 Kleppe Lane ♦ Sparks, NV 89431-6467 ♦ (775) 359-4712 ♦ Fax (775) 359-7424
HAWS AG ♦ Bachweg 3 ♦ CH-3401 Burgdorf ♦ Switzerland
Haws Mfg. Pte Lt. ♦ 2A Sungei Kadet Drive ♦ Singapore 729554
Avlis-Avenida Senador, Testonio Vilela ♦ 505 Jardim Aeroporto ♦ Itu, S.P. 13304-550 ♦ Brasil
E-mail: haws@hawsco.com ♦ website: www.hawsco.com

No. 2077070(18)

Model 3150 Drinking Fountain

NOTE TO INSTALLER: Please leave this information with the Maintenance Department.

LIMITED WARRANTY

HAWS® warrants that all of its products are guaranteed against defective material or poor workmanship for a period of **one year from date of shipment**. HAWS liability under this warranty shall be discharged by furnishing without charge F.O.B. HAWS Factory any goods, or part thereof, which shall appear to the Company upon inspection to be of defective material or not of first class workmanship, provided that claim is made in writing to company within a reasonable period after receipt of the product. Where claims for defects are made, the defective part or parts shall be delivered to the Company, prepaid, for inspection. HAWS will not be liable for the cost of repairs, alterations or replacements, or for any expense connected therewith made by the owner or his agents, except upon written authority from HAWS, Sparks, Nevada. HAWS will not be liable for any damages caused by defective materials or poor workmanship, except for replacements, as provided above. Buyer agrees that Haws has made no other warranties either expressed or implied in addition to those above stated, except that of title with respect to any of the products or equipment sold hereunder and that HAWS shall not be liable for general, special, or consequential damages claimed to arise under the contract of sale. The drinking fountain manufactured by HAWS is warranted to function if installation and maintenance instructions provided are adhered to. The units also must be used for the purpose for which they were intended.

NO OTHER WARRANTIES EXPRESSED OR IMPLIED ARE AUTHORIZED, PROVIDED OR GIVEN BY HAWS.

SHOULD YOU EXPERIENCE DIFFICULTY WITH THE INSTALLATION OF THIS MODEL, PLEASE CALL:

1-800-766-5612

FOR PARTS CALL:

1-800-758-9378

**(U.S.A. AND CANADA ONLY) MONDAY-THURSDAY: 6:00 A.M. – 4:00 P.M. PST
FRIDAY: 6:00 A.M – 1:00 P.M. PST**

RECOMMENDED TOOLS: Hack saw, pipe joint sealant, screwdriver, level, 12" adjustable wrench, 10" pipe wrench, 5/64" hex key wrench, 9/16", 1/2", 7/16" socket wrench or open end wrench.

LOCATION OF UNIT: The Model 3150 Drinking Fountain is a wheelchair accessible drinking water facility (Patent No. 353,739). The height dimensions shown, meet current ADA requirements. When installing this unit, local, state or federal codes should be adhered to. If height other than shown is required, then dimensions must be adjusted accordingly.

SUPPLY LINE: The minimum recommended line size is 1/2" IPS with 30-90 psi (2-6 ATM) flowing pressure. Where sediment or mineral content is a problem, an inlet filter is recommended.

PLUMBING CONNECTIONS: Inlet is 1/4" IPS male fitting. Waste outlet is female 1-1/2" Slip PVC.

MAINTENANCE: Periodically clean the strainer. Refer to 5874 Valve Operation and Maintenance Sheet for more information.

TROUBLESHOOTING

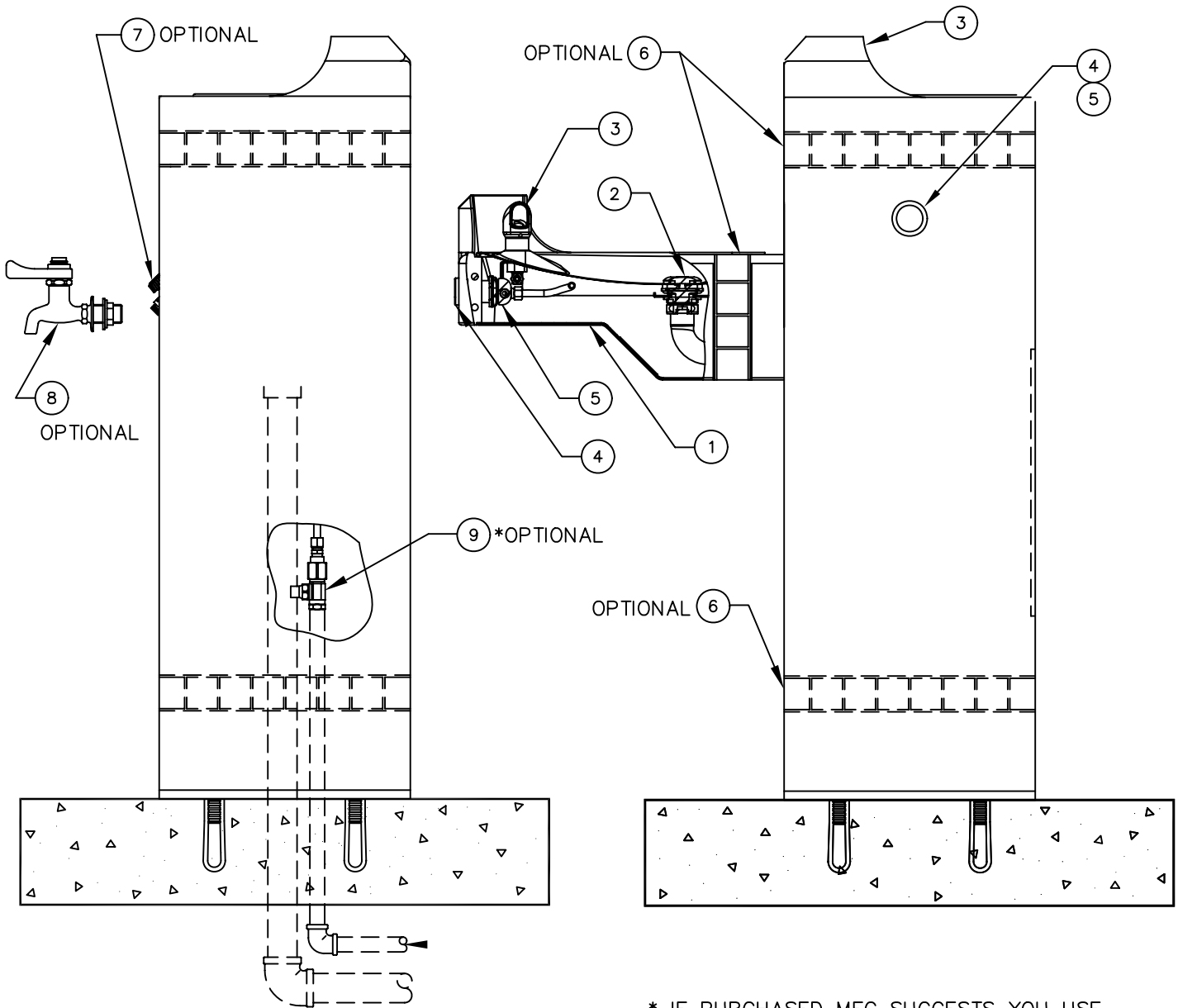
PROBLEM	REPAIR CHECKLIST
1. Insufficient bubbler flow.	1a. Check that inlet screwdriver stop valve is wide open. Turn counterclockwise. b. Verify minimum 30 psi flowing supply pressure. c. Clean strainer. See 5874 Valve Manual. d. Adjust valve to increase flow. Use front adjust screw or see 5874 Valve Manual.

GENERAL NOTES:

For all plastic push-in type fitting connections; push tubing into fitting until it bottoms out to ensure a water tight connection. To remove, depress the collet and pull tubing out.

ITEM	DESCRIPTION
1	BOTTOM PLATE PBM1047
2	STRAINER ASSY 6466
3	BUBBLER HEAD 5703M
4	PUSH BTN ASS'Y PBA7
5	VALVE 5874
6	TILE (OPTIONAL)
7	HOSE BIB 6275 (OPTIONAL)
8	BIB 6250.60LF (OPTIONAL)
9	1/2" STOP ASSY. 6449 (OPTIONAL)

PARTS BREAKDOWN



* IF PURCHASED MFG SUGGESTS YOU USE WITH CONNECTOR P/N 0001730150.2

PATENT NO. 353,739

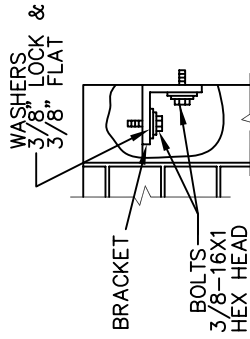
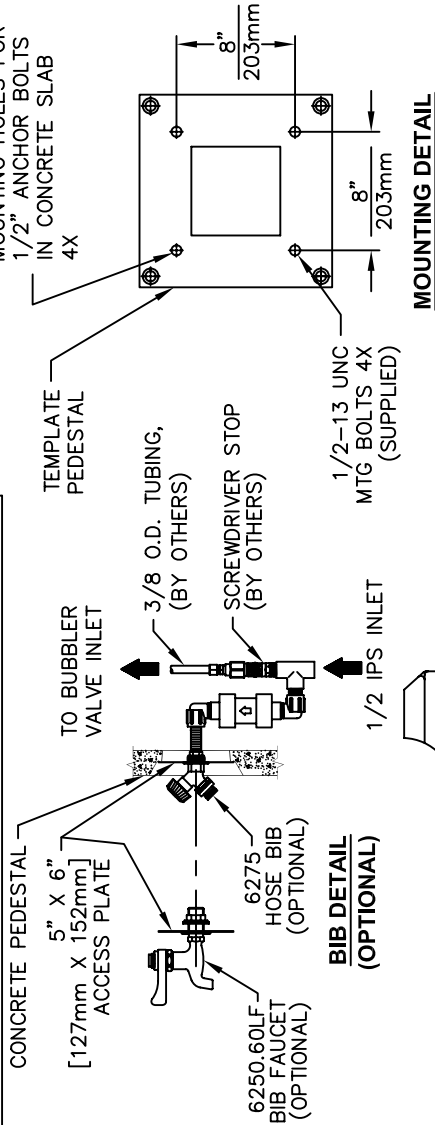
WHEN ORDERING PARTS PLEASE SPECIFY YOUR MODEL NUMBER



1455 KLEPPE LANE SPARKS, NEVADA BACHWEG 3 CH3401 BURGDORF SWITZERLAND

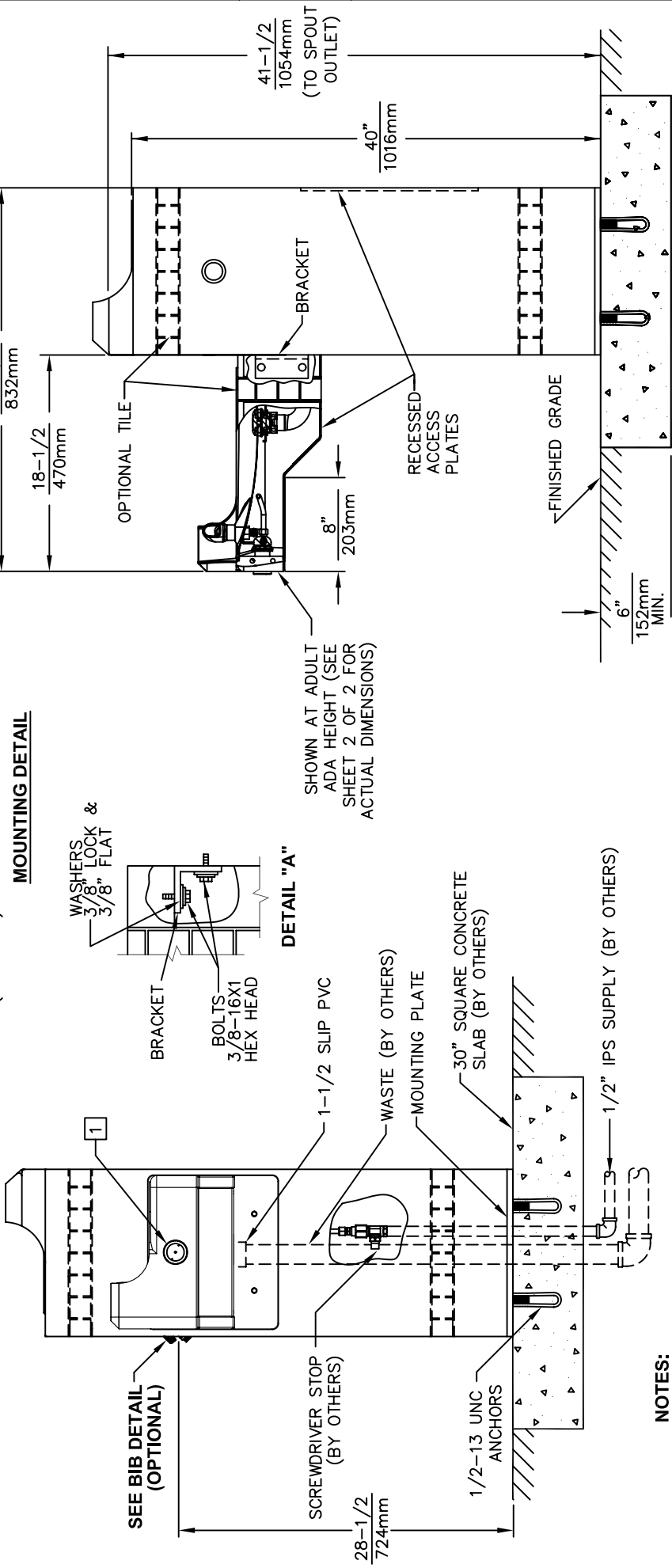
DRAWN BY: D. OLLOM	DATE: 11/25/95	CHECK BY:	APP'D BY:	SCALE: 1/4
TITLE: 3150			PART NUMBER: 0002077070	
DRAWING TYPE: PARTS BREAKDOWN			DRAWING NUMBER: 12808C00	REV. 18

THIS DOCUMENT IS TRUE AND CORRECT AT TIME OF PUBLICATION. CONTINUED PRODUCT IMPROVEMENTS MAKE SPECIFICATIONS AND MEASUREMENTS SUBJECT TO CHANGE WITHOUT NOTICE.



DETAIL "A"


SHOWN AT ADULT ADA HEIGHT (SEE SHEET 2 OF 2 FOR ACTUAL DIMENSIONS)



NOTES:

1. REFER TO 5874/VRK5874 OPERATION AND MAINTENANCE MANUAL FOR PUSH BUTTON AND VALVE INSTALLATION/MAINTENANCE INSTRUCTIONS.
2. PATENT NO. 353,739
3. SIDE ARM IS ADJUSTABLE TO ACCOMMODATE EITHER CHILD OR ADULT HEIGHTS (SEE SHEET 2 OF 2 FOR DETAILS).

NOTES CONTINUED ON SHEET 2 OF 2.



INFO FAX : 1-888-FAX-HAWS (1-888-329-4297)
 1455 Kleppe Ln, Sparks NV, 89431
 Phone: 775-359-4712 Fax: 775-359-7424
 Haws Ag, Bachweg 3, CH-3401 Burgdorf Switzerland
 Haws Mfg Pte Ltd 74 Sungai Kadut Loop Singapore 729531
 e-mail: Haws@hawsco.com website: www.hawsco.com

FOR NO.	REVISED PER	DATE	BY	DATE	APPROVED
10324C00	ECN: 4144	9/92	SLS		
MODEL(S):	3150	INFO FAX DOC #:	23150	BRANDING TYPE:	INSTALLATION/FABRACK
DRAWING NUMBER:	10324C00	SHEET:	A	OF:	2

THIS DOCUMENT IS TRUE AND CORRECT AT TIME OF PUBLICATION. CONTINUED PRODUCT IMPROVEMENTS MAKE SPECIFICATIONS AND MEASUREMENTS SUBJECT TO CHANGE WITHOUT NOTICE.

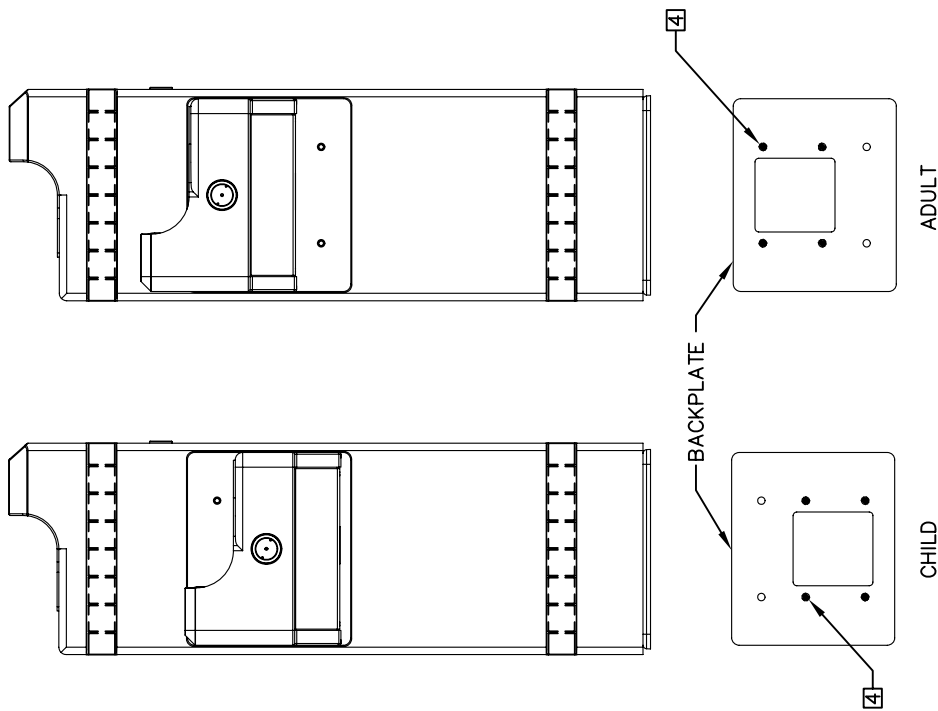
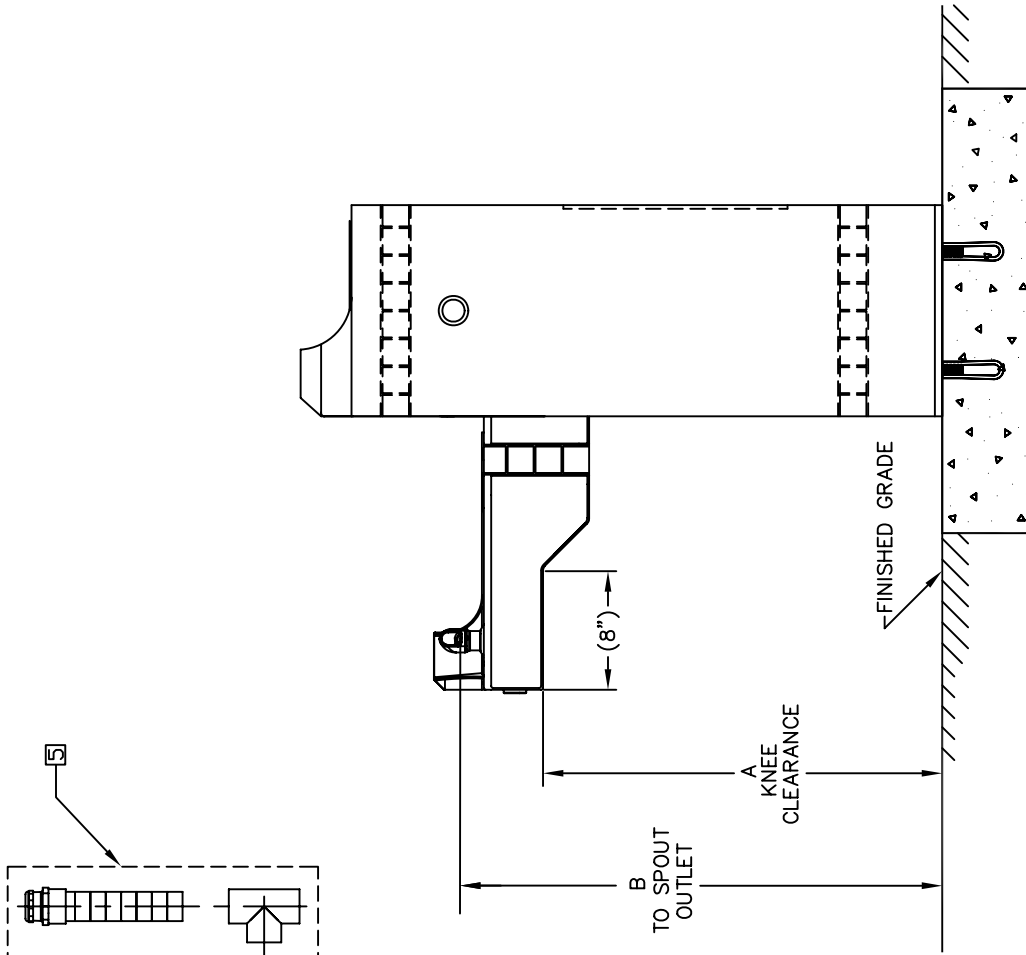


FIGURE 1

NOTES:

- 4. BASED ON DESIRED HEIGHT (CHILD OR ADULT) OF ARM, ORIENT BACKPLATE AS SHOWN IN FIGURE 1 AND USE APPROPRIATE SHADED HOLES.
- 5. WASTE ASSEMBLY IS SUPPLIED DISASSEMBLED. THE SHORTER OF THE TWO PIECES IS FOR THE ARM DRAIN, AND MUST BE INSTALLED SO THAT ANY BEND IN THE FLEX TUBING WILL ALLOW WATER TO DRAIN COMPLETELY. THE LONGER IS FOR THE PEDESTAL DRAIN AND IS SUPPLIED AT THE LENGTH REQUIRED TO ASSEMBLE THE UNIT WITH THE ARM AT CHILD HEIGHT. IN ORDER TO ASSEMBLE AT ADULT HEIGHT, 3" MUST BE CUT FROM THE END OF THE FLEX TUBING PRIOR TO ASSEMBLY. TEE IS TO BE GLUED TO THE FLEX TUBING WASTE ARMS USING PVC PIPE CEMENT.

AVAILABLE ARM HEIGHTS		
DIM	ADULT ADA	CHILD ADA
A	27" / 686mm	24" / 610mm
B	32-3/4" / 832mm	29-3/4" / 756mm



INFO FAX : 1-888-FAX-HAWS (1-888-329-4297)
 1455 Kleppe Ln, Sparks NV, 89431
 Phone: 775-359-4712 Fax: 775-359-7424
 Haws Ag, Bachweg 3, CH-3401 Burgdorf Switzerland
 Haws Mfg Pte Ltd 74 Sungai Kadut Loop Singapore 729531
 e-mail: haws@hawsco.com website: www.hawsco.com

FOR NO.:	REVISION:	DATE:	APPROVED:	SCALE:	INFO. FAX DOC #:	MODEL(S):
10324C00	4144	9/92		1:1	23150	3150
DRAWN:			DATE:		INFO. FAX DOC #:	
CUI:			DATE:		SCALE:	
DRAWING NUMBER:			INSTALLATION/FABRICATION:		DRAWING TYPE:	
10324C00			A		SHEET 2 OF 2	