

3380

Pedestal Mounted Drinking Fountain



FEATURES & BENEFITS

Construction

Heavy-duty 11 gauge galvanized steel with a green powder-coat finish incorporates a rounded tube design for an aesthetically pleasing design, and a vandal-resistant access plate for added peace of mind.

Bubbler Head

Polished chrome-plated brass bubbler head with integral laminar flow prevents splashing and provides a superior flow pattern. The integral basin shank and inserted roll pin adds vandal resistance strength to the design, and the shielded angled stream orifice produces a steady sanitary source of water.

Finish

Beautiful #4 satin stainless steel finish basin can be easily cleaned and maintained while also resisting corrosion.

Push Button

With its patented (Pat.# 6,981,692) push-button valve assembly which allows for front access stream adjustment as well as cartridge and strainer access, this fountain offers the ultimate in ease of maintenance.



OPTIONS

- Bubbler Head: Model 5725 EnviroGard™ bubbler is a polished chrome-plated solid brass bubbler head with stainless steel water activated pop up canopy. (Pat.# 7,025,282)
- Sand Trap: Model 6611, sand trap for installing adjacent to pedestal drinking fountains to help prevent debris and contaminants from clogging waste line.
- Premier Colors: Nine powder-coated colors, (green, silver, red, blue, black, brown, orange, yellow and white), available for an additional charge.
- Premier Finishes: Haws standard satin or high polished finishes in stainless steel can be modified to have rose or gold Physical Vapor Deposition (PVD) finish. Specify model with finish by name.

SPECIFICATIONS

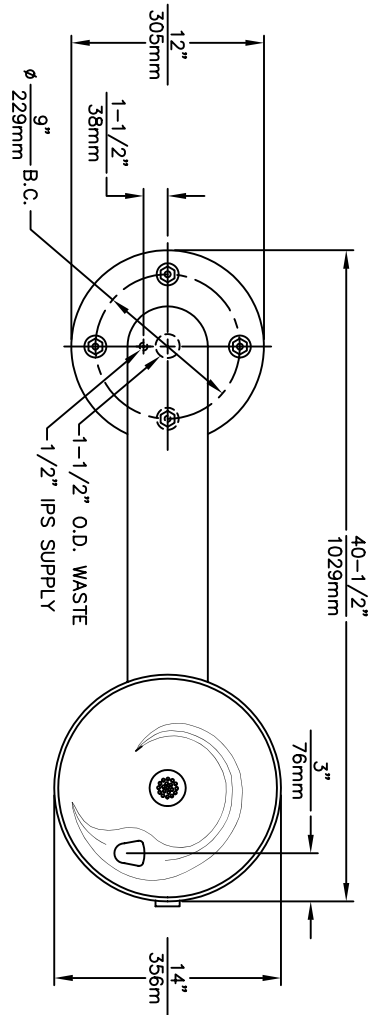
Model 3380 barrier-free pedestal drinking fountain shall include an 18 gauge Type 304 Stainless Steel satin finish basin with integral swirl design, push-button operated valve with front-accessible cartridge and flow adjustment, polished chrome-plated brass vandal-resistant bubbler head with integral laminar anti-squirt flow, chrome-plated brass vandal-resistant waste strainer, 11 gauge galvanized substrate steel pedestal with green powder-coating, integral mounting plate, and 1-1/2 O.D. tailpiece.

APPLICATIONS

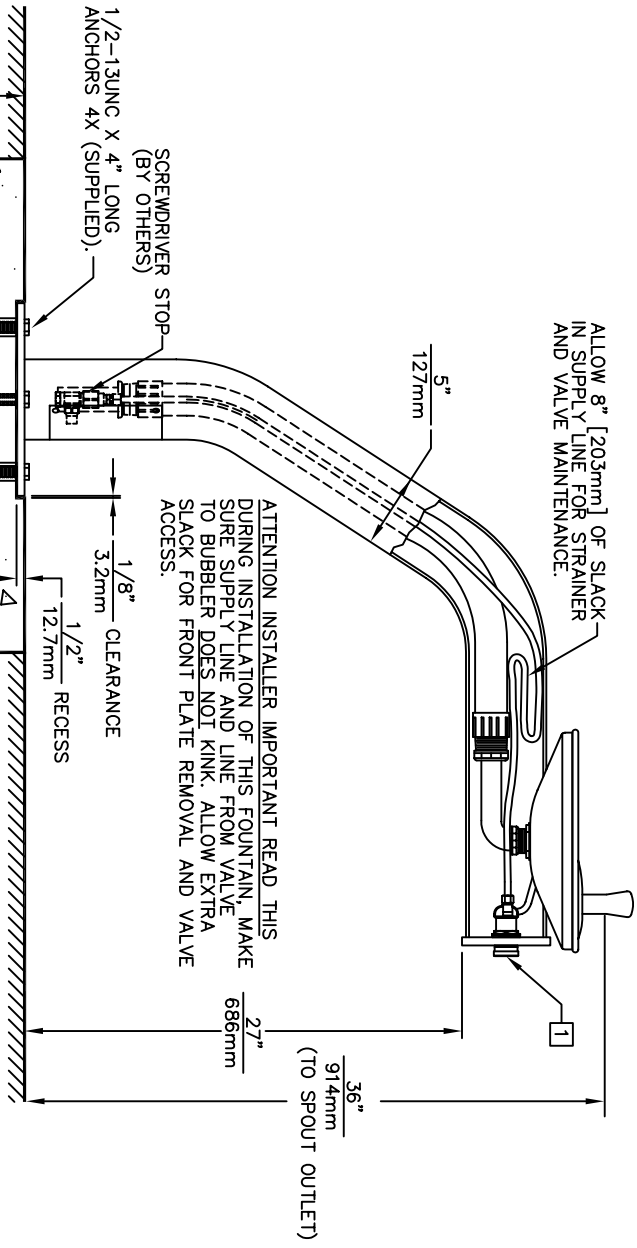
Perfect for either public or private outdoor settings, the 3380 is a great fit in areas where aesthetics are important to the overall appeal of the architecture. Suitable in areas where weather conditions exist, this series stands strong as a nice addition to any community. Powder-coated finish helps to maintain the fountain's overall appeal so it remains looking as new as it did when it was installed. This type of pedestal drinking fountain may also be placed in a variety of settings such as: parks, schools, and other outdoor environments around office buildings where the temperature remains above freezing.

Model meets all current Federal Regulations for the disabled including those in the Americans with Disabilities Act. Haws manufactures drinking fountains, electric water coolers and electric drinking fountains to be lead-free by all known definitions including ANSI/NSF Standard 61, Section 9, California Proposition 65, and the Federal Safe Drinking Water Act.



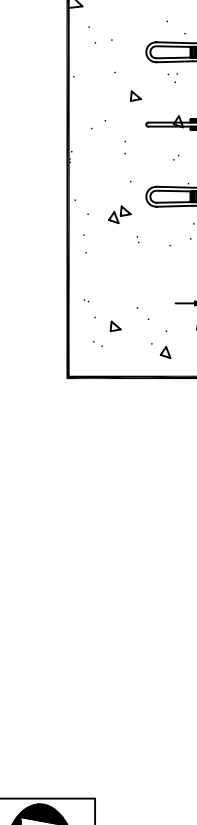
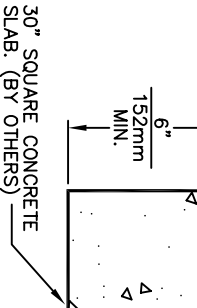
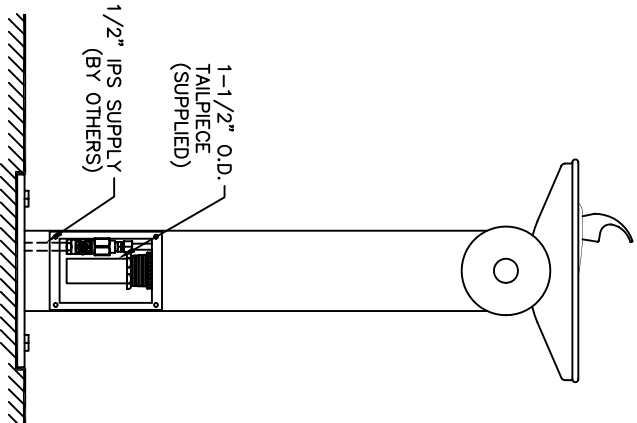


NOTES:
 [1] REFER TO 5874/VRK5874 OPERATION AND MAINTENANCE MANUAL FOR PUSH BUTTON AND VALVE INSTALLATION/ MAINTENANCE INSTRUCTIONS.



ALLOW 8" [203mm] OF SLACK IN SUPPLY LINE FOR STRAINER AND VALVE MAINTENANCE.

ATTENTION INSTALLER IMPORTANT READ THIS DURING INSTALLATION OF THIS FOUNTAIN. MAKE SURE SUPPLY LINE AND LINE FROM VALVE TO BUBBLER DOES NOT KINK. ALLOW EXTRA SLACK FOR FRONT PLATE REMOVAL AND VALVE ACCESS.



Haws Corporation
 INFO FAX : 1-888-FAX-HAWS (1-888-329-4297)
 1455 Kiappa Ln, Sparks NV, 89431
 Phone: 775-359-4712 Fax: 775-359-7424
 Haws AG Buchweg 3 CH-3401 Burgdorf Switzerland
 Haws King Pte Ltd 74 Sunglei Kodut Loop Singapore 729531
 e-mail: Haws@hawsco.com Website: www.hawsco.com

REG. NO.	REG. DATE	REG. BY	MODEL(S)
07/27/92	07/27/92	ECN: SAZS	3380/3380G
DATE	DATE	CHKD BY	INFO FAX DOC #
			23380/23380A
APPROVED	DATE	SCALE	DRAWING TYPE
		1:1	INSTALLATION/FABRICATION
DATE	DATE	DATE	DATE
SIZE	DATE	DATE	DATE
A	10/25/00	10/25/00	10/25/00
SHEET	1 OF 1	1 OF 1	1 OF 1



INSTALLATION, OPERATION & MAINTENANCE INSTRUCTIONS

1455 Kleppe Lane ♦ Sparks, NV 89431-6467 ♦ (775) 359-4712 ♦ Fax (775) 359-7424
HAWS AG ♦ Bachweg 3 ♦ CH-3401 Burgdorf ♦ Switzerland
Haws Mfg. Pte Lt. ♦ 2A Sungei Kadet Drive ♦ Singapore 729554
Avlis-Avenida Senador, Testonio Vilela ♦ 505 Jardim Aeroporto ♦ Itu, S.P. 13304-550 ♦ Brasil
E-mail: haws@hawsco.com ♦ website: www.hawsco.com

No. 2077367(15)

Model 3380/3380G Drinking Fountain

NOTE TO INSTALLER: Please leave this information with the Maintenance Department.

LIMITED WARRANTY

HAWS® warrants that all of its products are guaranteed against defective material or poor workmanship for a period of **one year from date of shipment**. HAWS liability under this warranty shall be discharged by furnishing without charge F.O.B. HAWS Factory any goods, or part thereof, which shall appear to the Company upon inspection to be of defective material or not of first class workmanship, provided that claim is made in writing to company within a reasonable period after receipt of the product. Where claims for defects are made, the defective part or parts shall be delivered to the Company, prepaid, for inspection. HAWS will not be liable for the cost of repairs, alterations or replacements, or for any expense connected therewith made by the owner or his agents, except upon written authority from HAWS, Sparks, Nevada. HAWS will not be liable for any damages caused by defective materials or poor workmanship, except for replacements, as provided above. Buyer agrees that Haws has made no other warranties either expressed or implied in addition to those above stated, except that of title with respect to any of the products or equipment sold hereunder and that HAWS shall not be liable for general, special, or consequential damages claimed to arise under the contract of sale. The drinking fountain manufactured by HAWS is warranted to function if installation and maintenance instructions provided are adhered to. The units also must be used for the purpose for which they were intended.

NO OTHER WARRANTIES EXPRESSED OR IMPLIED ARE AUTHORIZED, PROVIDED OR GIVEN BY HAWS.

SHOULD YOU EXPERIENCE DIFFICULTY WITH THE INSTALLATION OF THIS MODEL, PLEASE CALL:

1-800-766-5612

FOR PARTS CALL:

1-800-758-9378

**(U.S.A. AND CANADA ONLY) MONDAY-THURSDAY: 6:00 A.M. – 4:00 P.M. PST
FRIDAY: 6:00 A.M – 1:00 P.M. PST**

RECOMMENDED TOOLS: Hack saw, pipe joint sealant, screwdriver, level, 12" adjustable wrench, 10" pipe wrench, 5/64" hex key wrench, 9/16", 1/2", 7/16" socket wrench or open end wrench.

LOCATION OF UNIT: The Model 3380/3380G Drinking Fountain is a wheelchair accessible drinking water facility. The height dimensions shown, meet current ADA requirements. When installing this unit, local, state or federal codes should be adhered to. If height other than shown is required, then dimensions must be adjusted accordingly.

SUPPLY LINE: The minimum recommended line size is 1/2" IPS with 30-90 psi (2-6 ATM) flowing pressure. Where sediment or mineral content is a problem, an inlet filter is recommended.

PLUMBING CONNECTIONS: Inlet is 1/4" IPS male fitting. Waste outlet is 1-1/2" O.D. tailpiece.

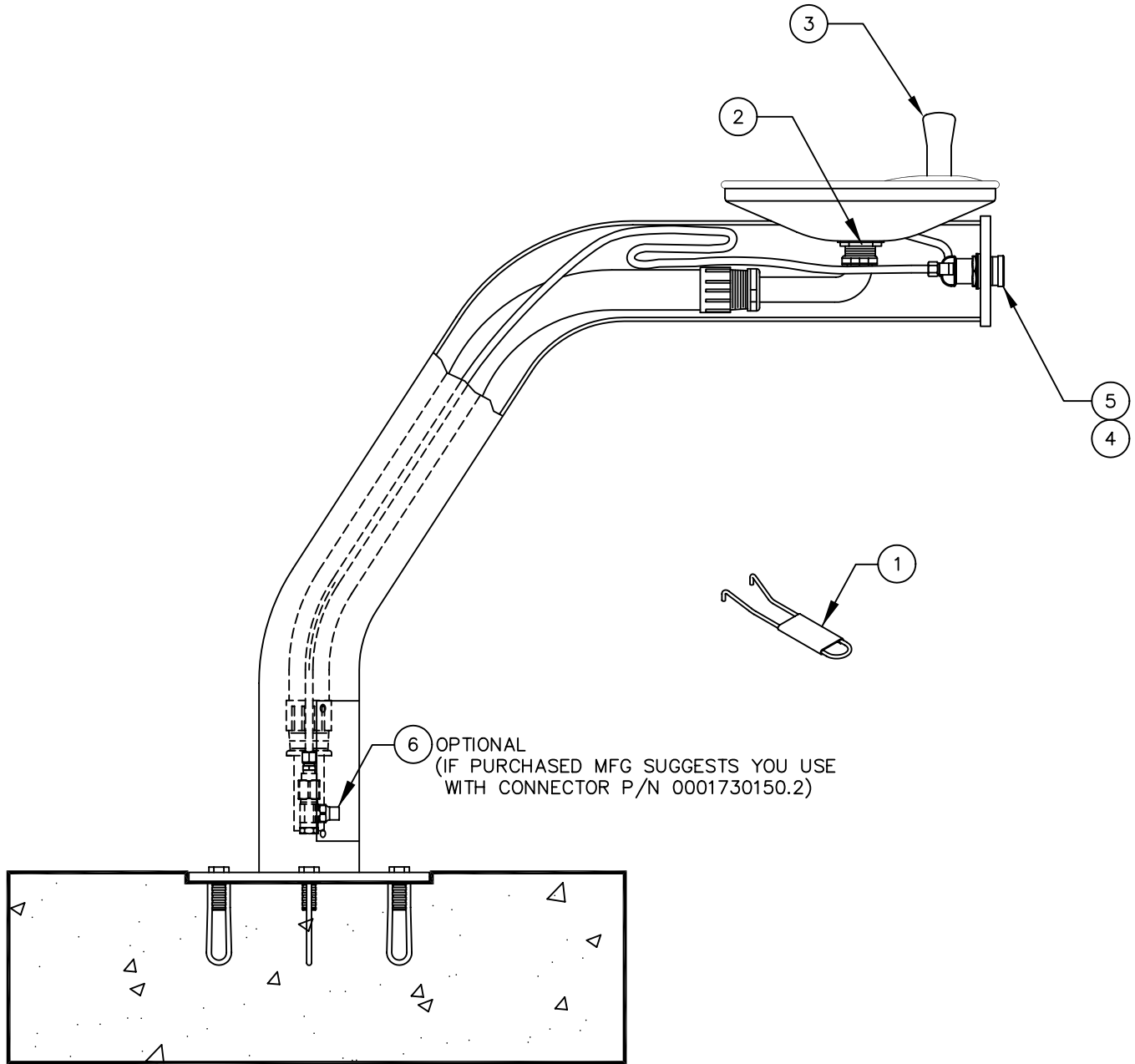
MAINTENANCE: Periodically clean the strainer. Refer to 5874 Valve Manual for more information.

TROUBLESHOOTING

PROBLEM	REPAIR CHECKLIST
1. Insufficient bubbler flow.	1a. Check that inlet screwdriver stop valve is in wide-open position. b. Verify minimum 30 psi flowing supply pressure. c. Clean strainer. See 5874 Valve Manual. d. Adjust valve to increase flow. Use front adjust screw or see 5874 Valve Manual.

ITEM	DESCRIPTION
1	SPANNER WRENCH P/N 0006983506
2	STRAINER 0005624292
3	BUBBLER HEAD 5705
4	PUSH BTN ASS'Y PBA7
5	VALVE 5874
6	1/2" STOP ASSY. 6449

PARTS BREAKDOWN

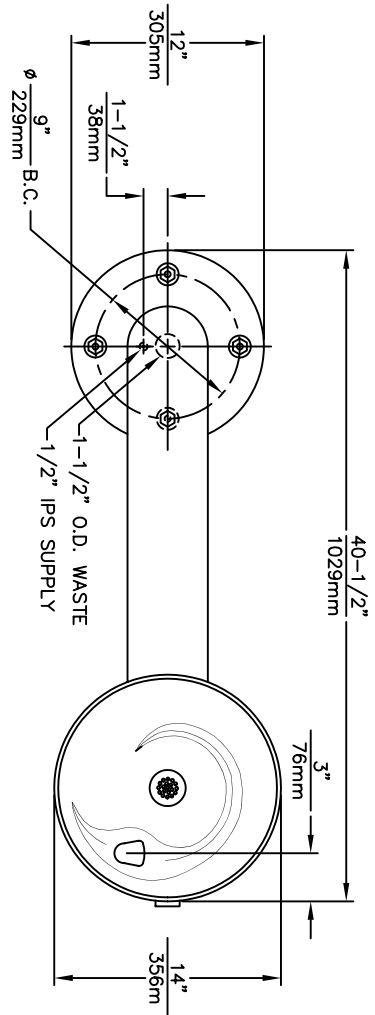


**WHEN ORDERING
PARTS PLEASE
SPECIFY YOUR
MODEL NUMBER**

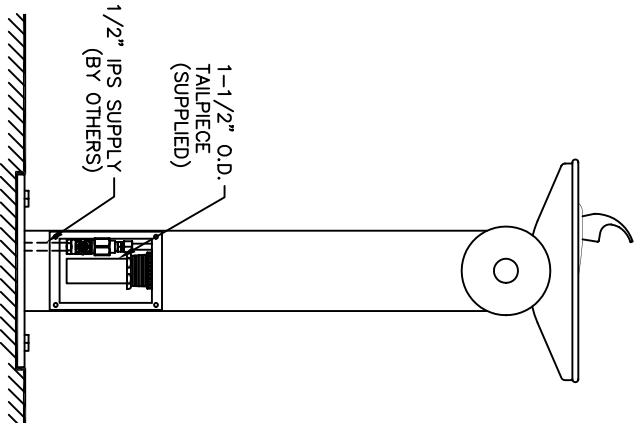
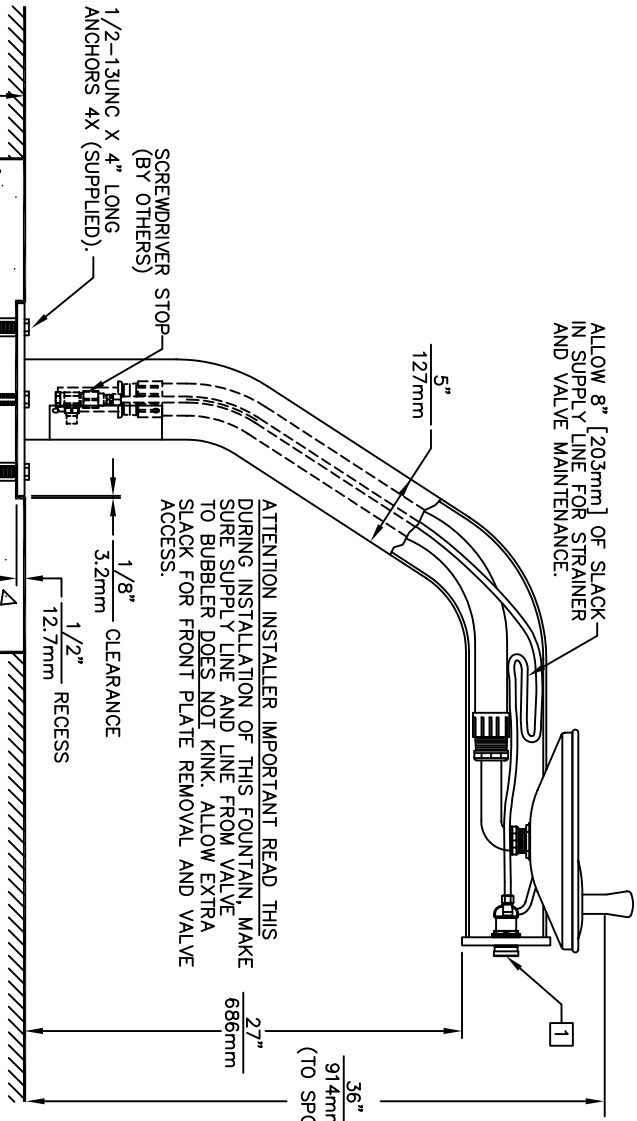


1455 KLEPPE LANE BACHWEG 3
SPARKS, NEVADA CH3401 BURGENDORF
SWITZERLAND

DRAWN BY: D. OLLOM	DATE: 11/25/95	CHECK BY:	APP'D BY:	SCALE: 1/4
TITLE: 3380/3380G			PART NUMBER: 0002077367	
DRAWING TYPE: PARTS BREAKDOWN			DRAWING NUMBER: 12816C00	REV. 15



NOTES:
 [1] REFER TO 5874/VRK5874 OPERATION AND MAINTENANCE MANUAL FOR PUSH BUTTON AND VALVE INSTALLATION/ MAINTENANCE INSTRUCTIONS.



ALLOW 8" [203mm] OF SLACK IN SUPPLY LINE FOR STRAINER AND VALVE MAINTENANCE.

ATTENTION INSTALLER IMPORTANT READ THIS DURING INSTALLATION OF THIS FOUNTAIN. MAKE SURE SUPPLY LINE AND LINE FROM VALVE TO BUBBLER DOES NOT KINK. ALLOW EXTRA SLACK FOR FRONT PLATE REMOVAL AND VALVE ACCESS.

1/2-13UNC X 4" LONG ANCHORS 4X (SUPPLIED).
 (BY OTHERS)
 SCREWDRIVER STOP

6" MIN. 152mm

30" SQUARE CONCRETE SLAB. (BY OTHERS)

Haws Corporation

INFO FAX : 1-888-FAX-HAWS (1-888-329-4297)
 1455 Kiappa Ln, Sparks NV, 89431
 Phone: 775-359-4712 Fax: 775-359-7424
 Haws AG Buchweg 3 CH-3401 Burgdorf Switzerland
 Haws King Pte Ltd 74 Sunglei Kodut Loop Singapore 729531
 e-mail: Haws@hawsco.com Website: www.hawsco.com

REG. NO.	REG. DATE	REG. BY	MODEL(S)
07/27/92	07/27/92	ECN: SAZS	3380/3380G
DATE	DATE	CHKD:	INFO FAX DOC # 23380/23380A
APPROVED	DATE	SCALE: 1:1	DRAWING TYPE: INSTALLATION/FAKBACK
07/27/92	07/27/92	1:1	

SIZE: A SHEET: 1 OF 1