

ELKAY® SPECIFICATIONS

No Lead Two-Station Drinking Fountain Wall Mount – Fully Exposed Model EDF210C

GENERAL

#18 gauge, type 304, nickel bearing stainless steel wall mounted multiple station drinking fountain – designed to meet all sanitary codes. Unit has stream splitter design basins with perforated grid strainers. Hooded stream projectors have in-line flow regulators – 20 to 105 psi. Separate push-button controls are mounted on front. Exposed surfaces are hand blended to a lustrous satin finish. Wall hanger furnished.

NO LEAD DESIGN

THIS DRINKING FOUNTAIN COMPLIES WITH THE LEAD-FREE DEFINITION IN THE SAFE DRINKING WATER ACT OF 1986 AND LEAD CONTAMINATION CONTROL ACT OF 1988.

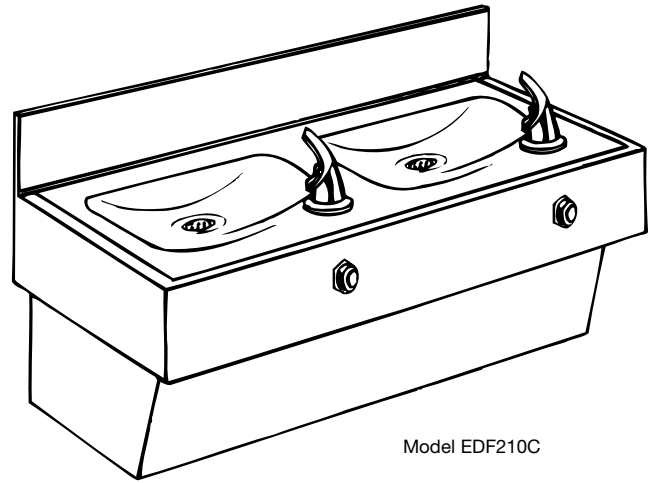
Elkay Drinking Fountains are manufactured with a waterway system utilizing copper components and completely lead-free material. These waterways have no lead because all leaded materials, such as leaded brass, have been removed.

Exclusive Flexi-Guard® Safety Bubbler*: Innovative design utilizes an infused anti-microbial pliable polyester elastomer to prevent accidental mouth injuries. Flexes on impact, then returns to original position. Strong. Abrasion-resistant. Anti-sweat. Keyed in location to prevent rotation.

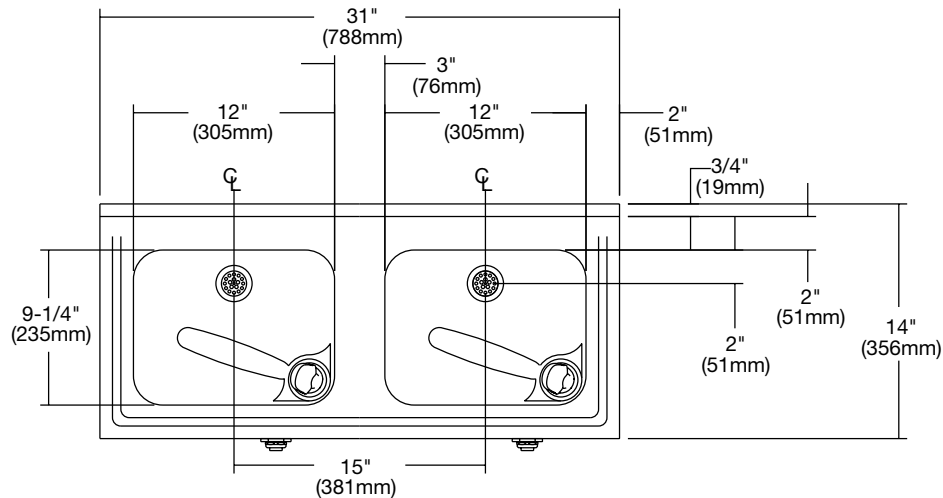
This drinking fountain is certified to **ANSI/NSF61**.

CONSTRUCTION

EDF210C furnished complete with Flexi-Guard® bubbler and drain assemblies.



Model EDF210C



*Patent #4,481,971

In keeping with our policy of continuing product improvement, Elkay reserves the right to change product specifications without notice.

This specification describes an Elkay product with design, quality and functional benefits to the user. When making a comparison of other producers' offerings, be certain these features are not overlooked.

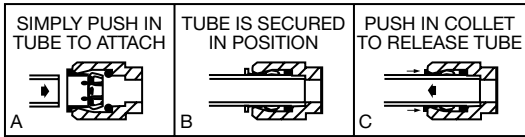
**No Lead Two-Station Drinking Fountain
Wall Mount – Fully Exposed
Model EDF210C**

**ELKAY®
ROUGH-IN DIMENSIONS**

INSTALLER NOTE

THIS DRINKING FOUNTAIN IS FURNISHED WITH A BUBBLER AND VALVE INCLUDING ALL CONNECTING FITTINGS WHICH ARE MANUFACTURED OF COMPLETELY LEAD FREE MATERIAL. IT IS RECOMMENDED THAT SHUT OFF VALVE AND SUPPLY TUBING SUPPLIED BY OTHERS BE NON-METALLIC.

OPERATION OF QUICK CONNECT FITTINGS



PUSHING TUBE IN BEFORE PULLING IT OUT HELPS TO RELEASE TUBE

