

# Installation/Care/Use Manual

USES HFC-134A REFRIGERANT

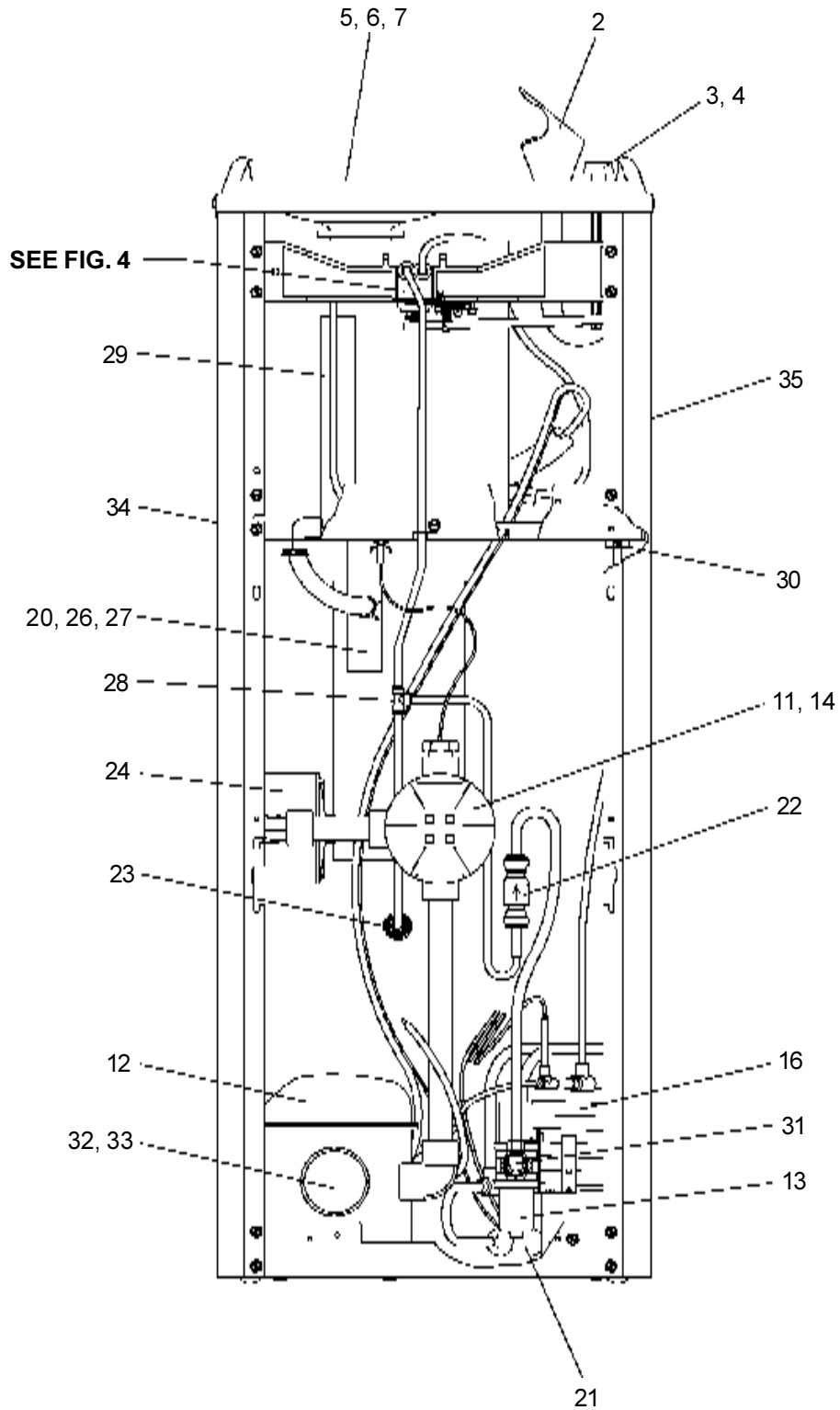


FIG. 1

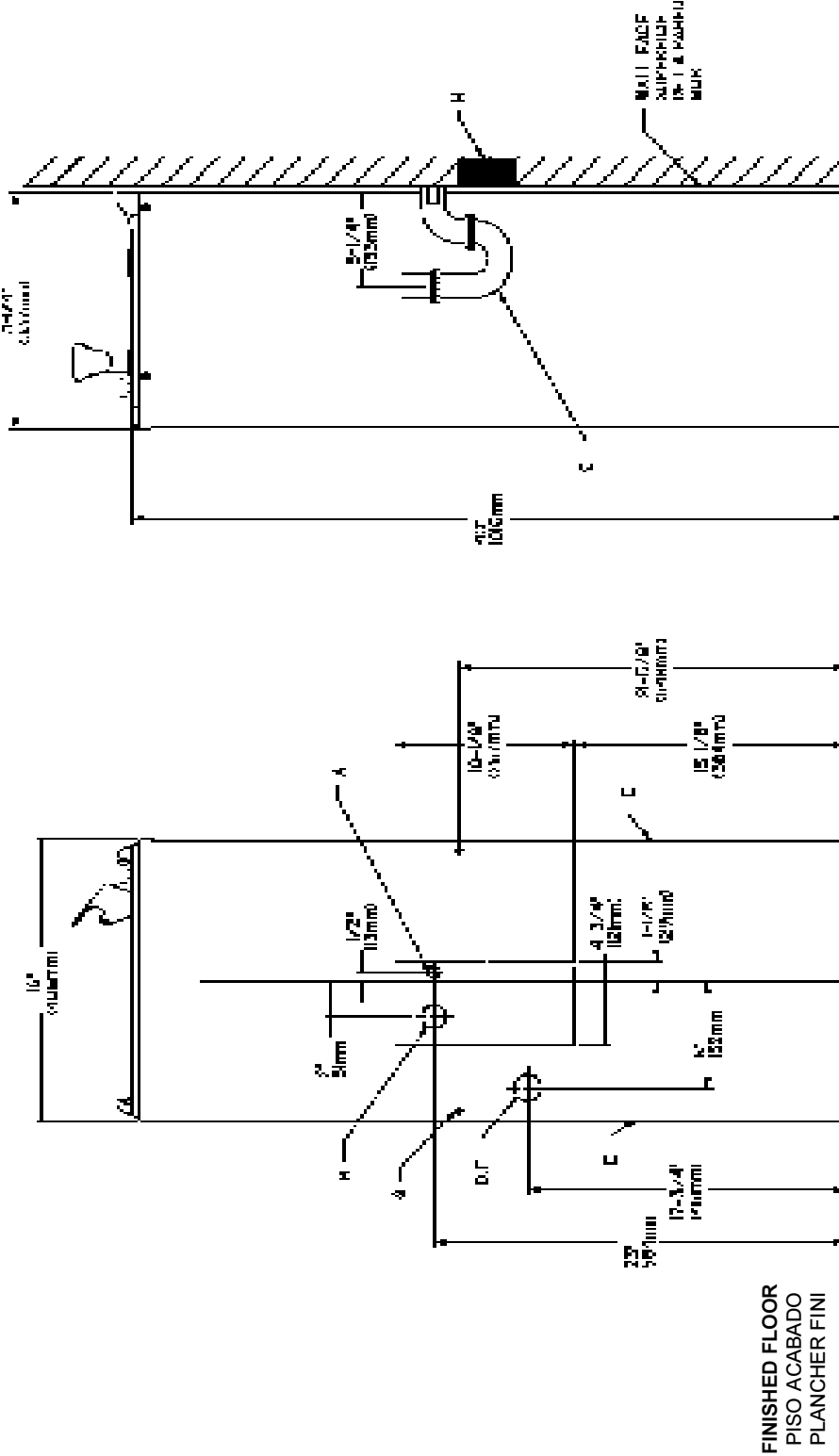


FIG. 2

**LEGENDA/LEYENDA/LÉGENDE**

**A = RECOMMENDED WATER SUPPLY LOCATION 3/8 O.D. UNPLATED COPPER TUBE CONNECT STUB 1-1/2 IN. (38mm) OUT FROM WALL SHUT OFF BY OTHERS**  
 SE RECOMIENDA UBICAR EL TUBO CORTO DE CONEXIÓN AL TUBO DE COBRE SIN CHAPAR DE 3/8" DE DIÁM. EXT. A 1-1/2" (38mm) FUERA DE LA LAVÉ DE PASO EN LA PARED COLOCADA POR TERCEROS.  
 EMPLACEMENT RECOMMANDÉ D'ALIMENTATION EN EAU PAR TUBE EN CUIVRE NON PLAQUÉ DE 3/8 PO. (9.5 mm) D.E. CONNECTANT UNE TUYAUTERIE DE 1-1/2 PO. (38mm) DEPUIS LE ROBINET D'ARRÊT FOURNI PAR D'AUTRES.

**B = RECOMMENDED LOCATION FOR WASTE OUTLET 1-1/4" O.D. DRAIN**  
 UBICACION RECOMENDADA PARA EL DRENAJE DE SALIDA DE AGUA, DE 1 1/4" DE DIÁMETRO.  
 EMPLACEMENT RECOMMANDÉ POUR LE DRAIN DE D.E. 1-1/4" DE SORTIE D'EAU.  
 PURGADOR DE 1 1/4" NO PROPORCIONADO\*\*  
 SIPHON 1-1/4" NON FOURNI\*\*

**D = ELECTRICAL OUTLET LOCATION**  
 UBICACION DE LA TOMA DE ELECTRICIDAD  
 EMPLACEMENT DE LA PRISE DE COURANT

**E = INSURE PROPER VENTILATION BY MAINTAINING 4" (102mm) (MIN.) CLEARANCE FROM CABINET LOUVERS TO WALL.**  
 ASEGURE UNA VENTILACION ADECUADA MANTENIENDO UN ESPACIO E 4" (102mm) (MIN.) DE HOLSURA ENTRE LA REJILLA DE VENTILACION DEL MUEBLE Y LA PARED  
 ASSUREZ-VOUS UNE BONNE VENTILATION EN GARDANT 4" (102mm) (MIN.) ENTRE LES ÉVÉNENTS DE L'ENCEINTE ET LE MUR.

**F = POWER CORD 4 FEET (1219mm) LONG**  
 CABLE ELECTRICO DE 4 PIE (1219mm), DE LARGO  
 CORDON D'ALIMENTATION 4' (1219mm)

**G = WALL SCREW HOLES**  
 AGUJEROS DE TORNILLOS DE PARED  
 TROUS DE VIS DU MUR

**H = 2 X 4 BLOCKING**  
 BLOQUEO DE 2 X 4  
 BLOC 2 X 4

## CONDENSER WATER VALVE ADJUSTMENT

The condenser water valve is factory preset for a condenser water outlet temperature of 95° to 105° F. If actual temperature varies greatly from this, readjust water flow rate at the valve using the following procedures.

**1. START UP COMPRESSOR**

This can be accomplished by depressing the cooler push button (See Fig. 1 - Item 3). Keep water running during the entire readjustment procedure.

**2. ADJUSTMENT CONDENSER WATER VALVE**

Adjust valve by rotating adjustment stem. Rotating stem clockwise will increase water flow. Counterclockwise rotation will decrease water flow. Increasing water flow will result in a lower condenser outlet temperature, while decreasing water flow will result in a higher outlet temperature. Proper adjustment is attained when condenser outlet temperature is 95° to 105° F.

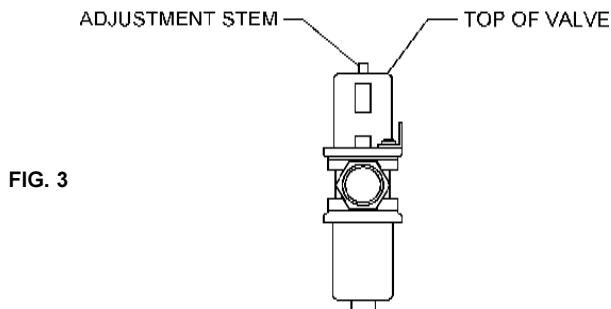


FIG. 3

### PUSH BUTTON VALVE ADJUSTMENT

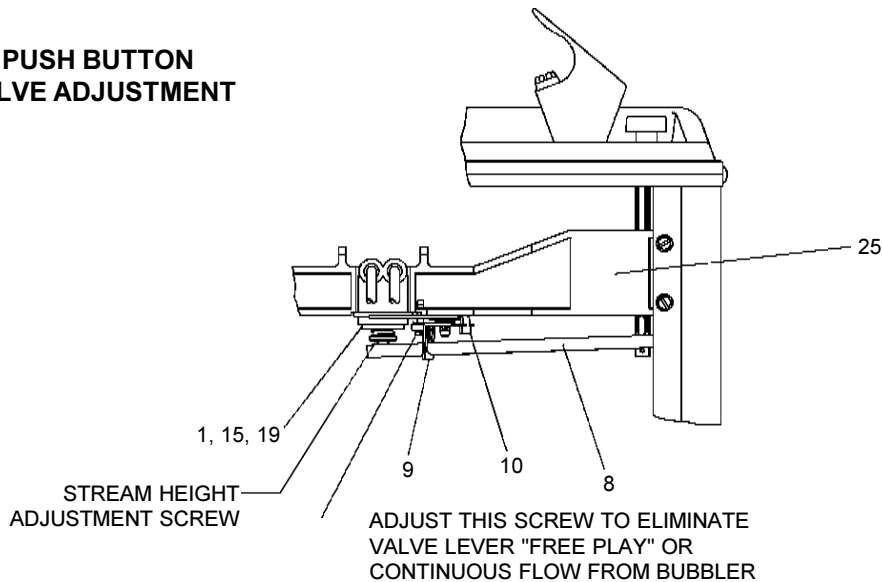
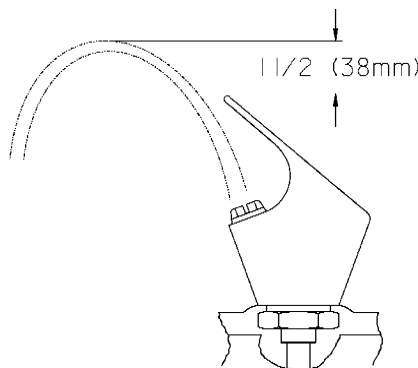


FIG. 4



**CORRECT STREAM HEIGHT**

PARTS LIST 115V

ITEM NO.	PART NO.	DESCRIPTION
1	15005C	Nut-Regulator Retaining
2	45314C	Bubbler
3	101507531550	Push Button Stem
4	101543431640	Cap Push Button
5	102639931640	Drain Plug
6	160270508640	Strainer Plate
7	171403742590	Receptor
8	26860C	Regulator Lever
9	26861C	Pivot Bracket
10	26862C	Regulator Retaining Bracket
11	31513C	Cold Control
12*	35790C	Compressor
13	40136C	Valve - W/tr Temp
14	45340C	Electrical Box-Cold Control
15	50986C	Regulator Holder
16	601418151550	Condenser Assy
17	66327C	Evaporator
18	601590351550	Valve Assy
19	61314C	Regulator
20	45689C	Tailpipe Assy
21	66202C	Drier
22	75494C	Check Valve
23	55996C	Strainer
24	45347C	Electrical Box-Power Connection
25	55880C	Regulator Mounting Bracket
26	55913C	Adaptor-Drain W/O Holes
27	55885C	Nut 1-1/4 Slip Joint
28	70682C	Tee - 1/4 x 1/4 x 1/4
29	45346C	Vacuum Break
30	101452331870	Stem Bushing
31	75561C	Elbow - 3/8
32	35797C	Overload
33	35803C	Relay
34	401536342830	Left Panel
35	401536242830	Right Panel
NS	401507442830	Front Panel

\*REPLACE WITH SAME COMPRESSOR USED IN ORIGINAL ASSEMBLY.

NOTE: All correspondence pertaining to ELKAY water coolers or orders for repair parts MUST include Model No. and Serial No. of cooler, name and part number of replacement part.