

EWHA8,14*1C,2C

With FLEXI-GUARD®

Installation/Care/Use Manual

USES HFC-134A REFRIGERANT

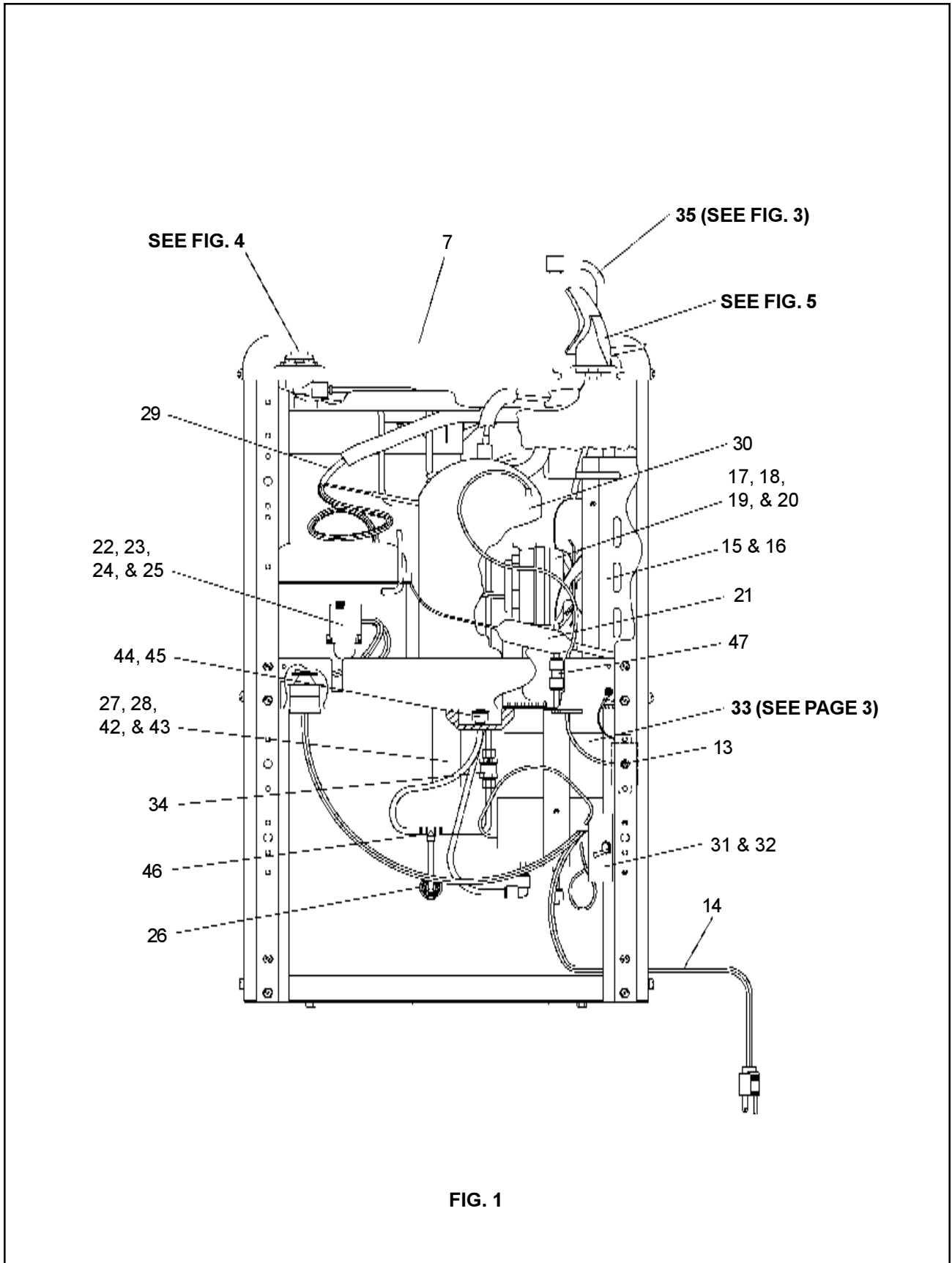


FIG. 1

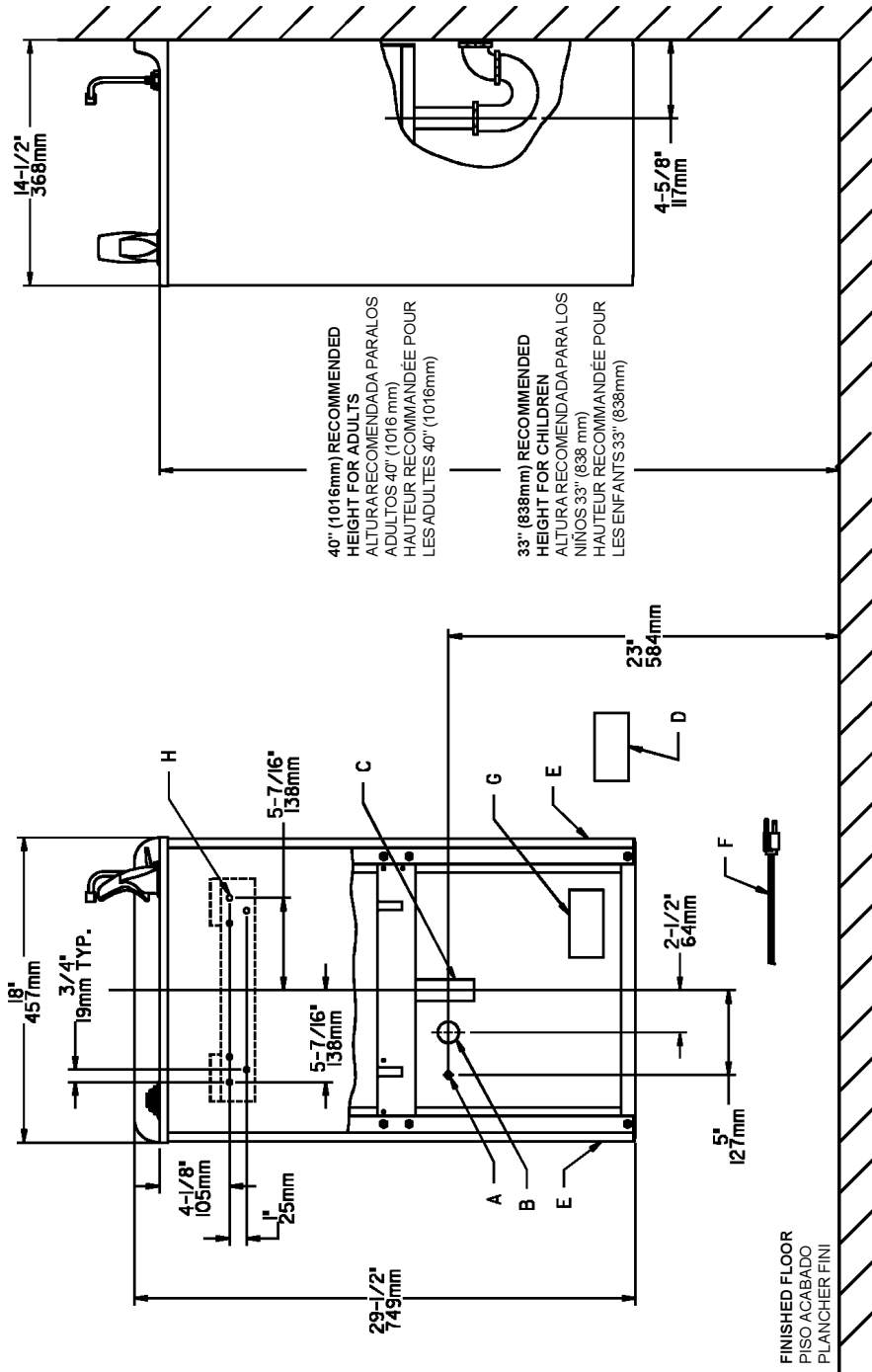
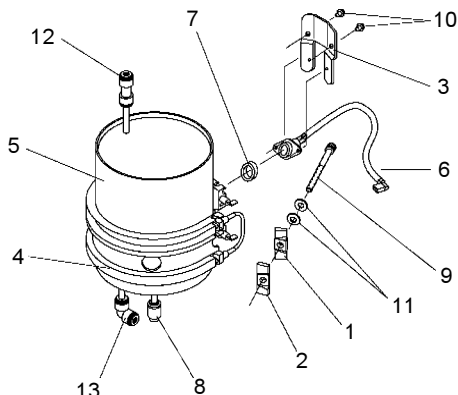


FIG. 2

- LEGEND/LEYENDA/LÉGENDE**
- A = RECOMMENDED WATER SUPPLY LOCATION 3/8 O.D. UNPLATED COPPER TUBE CONNECT STUB OUT 1-1/2 IN. (38mm) FROM WALL SHUT OFF BY OTHERS**
SE RECOMIENDA UBICAR EL TUBO CORTO DE CONEXIÓN AL TUBO DE COBRE SIN CHAPAR DE 3/8" DE DIAM. EXT. A 1-1/2" (38 mm) FUERA DE LA LLAVE DE PASEO EN LA PARED COLOCADA POR TERCEROS
EMPLACEMENT RECOMMANDÉ D'ALIMENTATION EN L'EAU PAR TUBE EN CUIVRE NON PLAQUÉ DE 3/8 PO. (9.5 mm) D.E. CONNECTANT UNE TUYAUTERIE DE 1-1/2 PO. (38 mm) DEPUIS LE ROBINET D'ARRÊT FOURNI PAR D'AUTRES.
 - B = RECOMMENDED LOCATION FOR WASTE OUTLET 1-1/4" O.D. DRAIN**
UBICACIÓN RECOMENDADA PARA EL DRENAJE DE SALIDA DE AGUA, DE 1 1/4" DE DIAMETRO.
EMPLACEMENT RECOMMANDÉ POUR LE DRAIN DE D.E. 1-1/4" DE SORTIE D'EAU.
 - C = 1-1/4 TRAP NOT FURNISHED**
PURGADOR DE 1 1/4 NO PROPORCIONADO
SIPHON 1-1/4 NON FOURNI
 - D = ELECTRICAL OUTLET LOCATION**
UBICACIÓN DE LA TOMA DE ELECTRICIDAD
EMPLACEMENT DE LA PRISE DE COURANT
 - E = INSURE PROPER VENTILATION BY MAINTAINING 4" (102mm) (MIN.) CLEARANCE FROM CABINET LOUVERS TO WALL.**
ASEGURE UNA VENTILACIÓN ADECUADA MANTENIENDO UN ESPACIO E 4" (102mm) (MIN.) DE HOLGURA ENTRE LA REJILLA DE VENTILACIÓN DEL MUEBLE Y LA PARED
ASSUREZ-VOUS UNE BONNE VENTILATION EN GARDANT 4" (102mm) (MIN.) ENTRE LES ÉVÉNENTS DE L'ENCEINTE ET LE MUR.
 - F = POWER CORD 4 FEET (1219mm) LONG**
CABLE ELECTRICO DE 4 PIE (1219mm), DE LARGO
CORDON D'ALIMENTATION 4' (1219mm)
 - G = ALT. ELECTRICAL OUTLET LOCATION**
UBICACIÓN ALT. DE LA TOMA DE ELECTRICIDAD
EMPLACEMENT ALTERNATIF DE LA PRISE DE COURANT
 - H = PLUMBING ROUGH-IN CAN BE LOCATED ANYWHERE WITHIN THIS AREA.**
SE PUEDE COLOCAR EL DESBASTE DE LA TUBERÍA EN CUALQUIER LUGAR DENTRO DE ESTA ÁREA.
ON PEUT PLACER LA TUYAUTERIE DANS CETTE RÉGION.

SERVICING THE HOT CONTROL AND FUSE ASSEMBLY

1. A temperature sensing non-resetable fuse in the wire is located approximately 3" (76mm) from the thermostat. The fuse is located under the retaining bracket (Item 3) in the groove on the heater element jacket (Item 4).
2. The thermostat must be used with a washer-spacer (Item 7) and be centered in the heater element jacket for proper temperature control. Locate the heater element jacket about 3/4" (19mm) above the bottom of the tank.
3. The heater element jacket must be fastened **VERY TIGHTLY** to the tank (45+/-10 inch/lbs. of torque on the mounting screw Item 9). Failure to **TIGHTEN** heater element jacket may cause rapid failure of the fuse assembly.



HOT TANK PARTS LIST

ITEM NO.	PART. NO.	DESCRIPTION
1	22111C	Heater Clamping Bracket
2	22112C	Heater Clamping Bracket (thrd)
3	22113C	Retaining Bracket
4	30980C	Heater Element & Jacket
5	31386C	Tank & Tube Assy
6	31428C	Hot Control Assy
7	50787C	Washer-Spacer
8	70606C	Drain Plug
9	70607C	Screw 1/4-20 x 3.00" HSHC
10	70640C	Screw #8-18 x 5/16" HHTC
11	70659C	Belleville Washer
12	70683C	1/4 Union
13	70793C	1/4 Elbow
NS	22588C	Hot Tank Mounting Bracket

Stream height is factory set at 35 PSI. If supply pressure varies greatly from this, remove Items 1 & 2 and adjust screw on Item 4. Clockwise adjustment will raise stream and counter-clockwise adjustment will lower stream. For best adjustment, stream should hit basin approximately 6-1/2" (165mm) from bubbler.

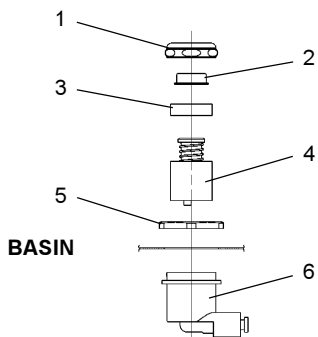
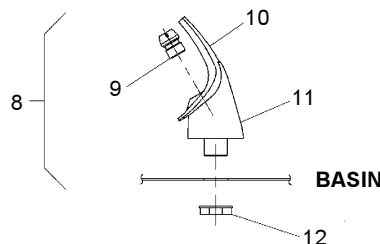


FIG. 4



NOTE:
WHEN INSTALLING REPLACEMENT BUBBLER AND PEDESTAL, TIGHTEN NUT (ITEM 12) ONLY TO HOLD PARTS SNUG IN POSITION. DO NOT OVER TIGHTEN.

FIG. 5

WIRING DIAGRAM

This Drawing is merely for illustrating the components of the electrical system.

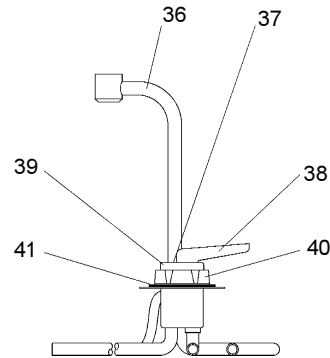
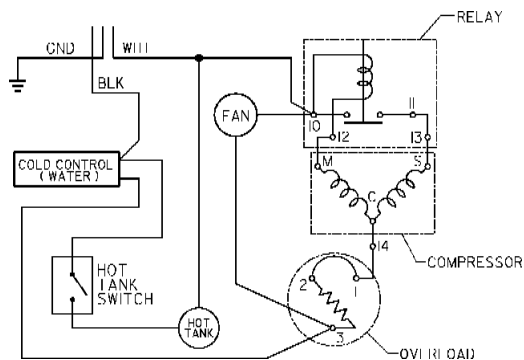


FIG. 3

PARTS LIST 115V

220/240v 50/60 Hz

ITEM NO.	PART NO.	DESCRIPTION
1	40089C	Cover
2	40048C	Button
3	15005C	Regulator Retaining Nut
4	61313C	Regulator
5	40169C	Hex Nut
6	50986C	Regulator Holder
7	21541C	Basin
8	51349C	Bubbler Assy
9	40322C	Orifice Assy
10	50934C	Housing Assy
11	50168C	Pedestal
12	70012C	Bubbler Locknut
13	31513C	Cold Control
14	31494C	Power Cord
15	66431C	Condenser (8 GPH)
	66417C	Condenser (14 GPH)
16	21516C	Fan Shroud
17	31490C	Fan Motor
18	30664C	Fan Blade
19	20239C	Fan Bracket
20	70018C	Fan Blade Nut
21	66201C	Drier (8 GPH)
	66202C	Drier (14 GPH)
22*	35787C	Compressor Serv. Pak 8 GPH
	35762C	Compressor Serv. Pak 14 GPH
23	31034C	Overload/Relay Assy (8 GPH)
	31027C	Overload/Relay Assy (14 GPH)
24	35766C	Relay Cover
25	194243901550	Electrical Shield
26	55996C	Strainer
27	45694C	Precooler
28	55909C	Tailpipe Helix
29	66255C	Heat Exchanger (8 GPH)
	66229C	Heat Exchanger (14 GPH)
30	66421C	Evaporator
31	21591C	Hot Tank Switch Bracket
32	30010C	Hot Tank Switch
33	31397C	Hot Tank Assy
34	55832C	Flow Regulator Assy
35	40583C	Hot Valve Assy
36	40597C	Gooseneck
37	92712C	Hot Valve Kit
38	51543C	Handle
39	40596C	Shroud
40	70921C	Mounting Nut
41	33659000	Body Gasket
42	50368C	Receptor-Drain
43	70750C	Clamp-Hose
44	70767C	Evaporator Retaining Clip
45	70772C	Evaporator Drain Plug
46	70682C	Tee - 1/4 x 1/4 x 1/4
47	70683C	Union - 1/4

ITEM NO.	PART. NO.	DESCRIPTION
14	31496C	Power Cord (8 & 14 GPH)
17	31430C	Fan Motor (8 & 14 GPH)
22*	35789C	Compressor Serv. Pak (8 GPH)
	35764C	Compressor Serv. Pak (14 GPH)
23	31036C	Overload/Relay Assy (8 GPH)
	31028C	Overload/Relay Assy (14 GPH)
24	35768C	Relay Cover (14 GPH)
29	66452C	Heat Exchanger (8 GPH)
33	31398C	Hot Tank Assy (8 & 14 GPH)

*INCLUDES RELAY & OVERLOAD. IF UNDER WARRANTY, REPLACE WITH SAME COMPRESSOR USED IN ORIGINAL ASSEMBLY.

NOTE: All correspondence pertaining to any of the above water coolers or orders for repair parts MUST include Model No. and Serial No. of cooler, name and part number of replacement part.

COLOR TABLE	LEFT PANEL	RIGHT PANEL	FRONT PANEL
Gray Beige	20638C	21526C	20675C
Almond	21464C	21530C	20676C
Stainless Steel	20640C	21527C	20672C
Sandalwood	21462C	21528C	21454C
Granite	27171C	27192C	27150C