

With FLEXI-GUARD®

Installation/Care/Use Manual

USES HFC-134A REFRIGERANT

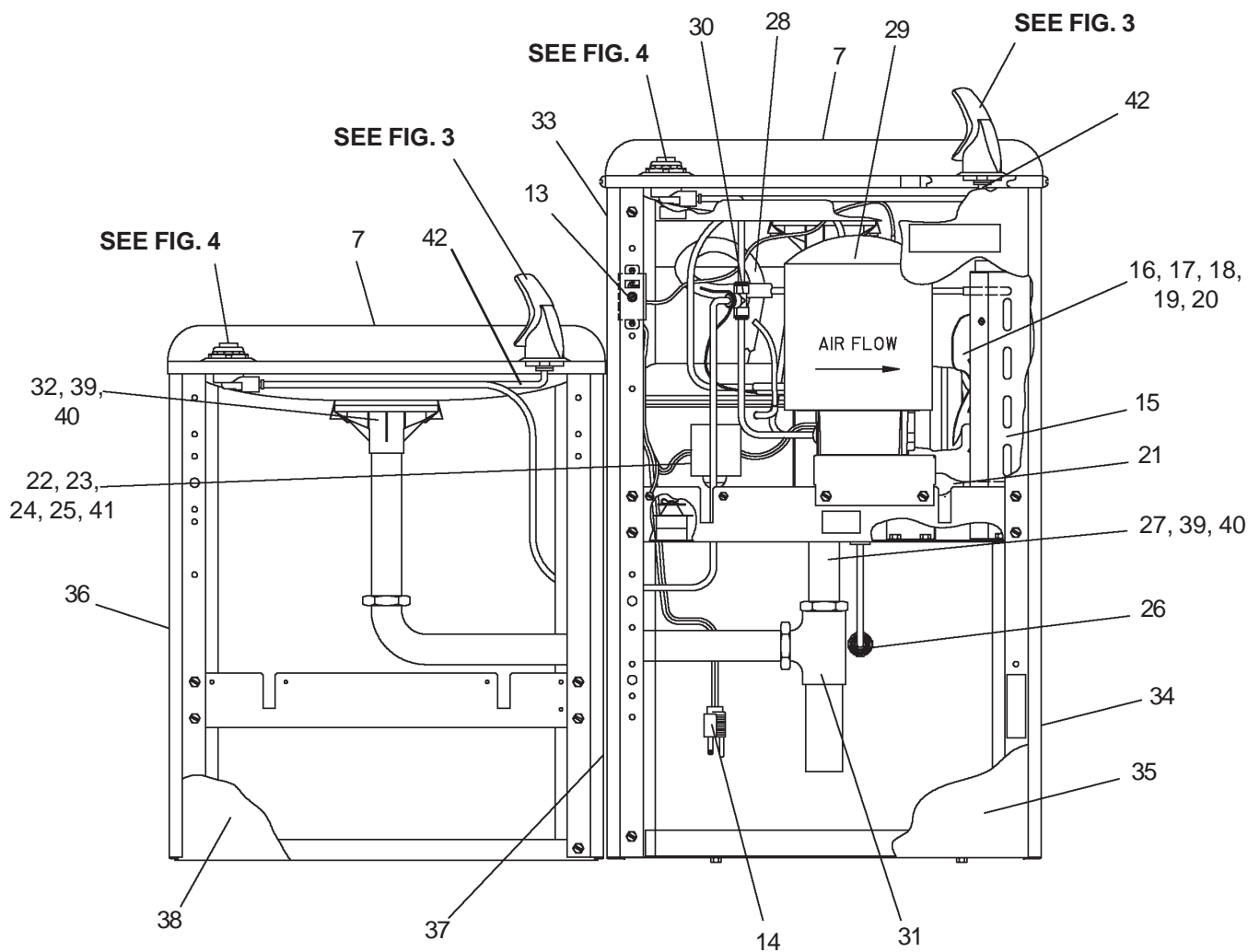


FIG. 1

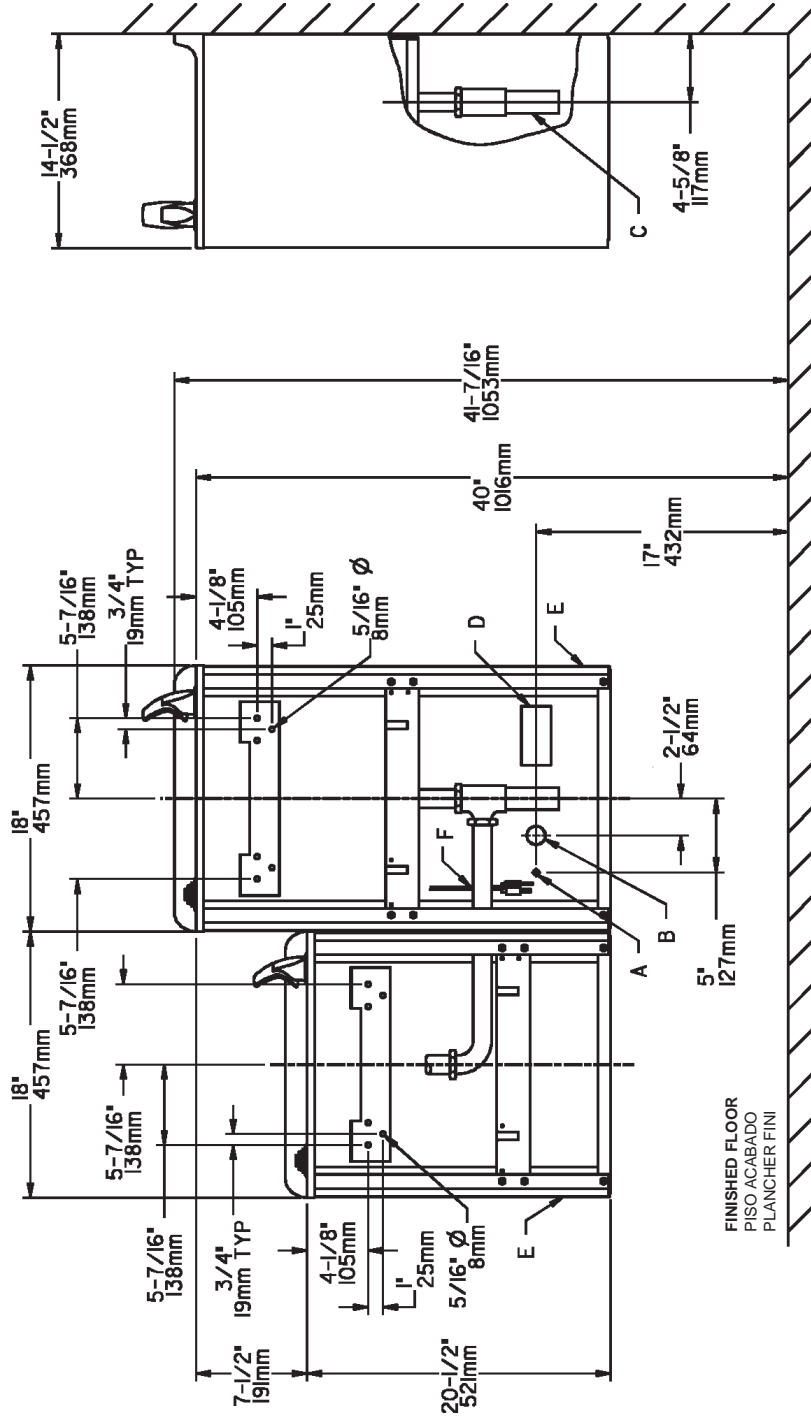


FIG. 2

LEGEND/LEYENDA/LÉGENDE

A = RECOMMENDED WATER SUPPLY LOCATION 3/8 O.D. UNPLATED COPPER TUBE CONNECT STUB OUT 1-1/2 IN. (38mm)

FROM WALL SHUT OFF BY OTHERS
SE RECOMIENDA UBICAR EL TUBO CORTO DE CONEXIÓN AL TUBO DE COBRE SIN CHAPAR DE 3/8" DE DIÁM. EXT. A 1-1/2" (38 mm) FUERA DE LA LLAVE DE PASO EN LA PARED COLOCADA POR TERCEROS.

EMPLACEMENT RECOMMANDÉ D'ALIMENTATION EN EAU PAR TUBE EN CUIVRE NON PLAQUÉ DE 3/8 PO. (9.5 mm) D.E. CONNECTANT UNE TUYAUTERIE DE 1-1/2 PO. (38 mm) DEPUIS LE ROBINET D'ARRÊT FOURNI PAR D'AUTRES.

B = RECOMMENDED LOCATION FOR WASTE OUTLET 1-1/4" O.D. DRAIN
UBICACIÓN RECOMENDADA PARA EL DRENAJE DE SALIDA DE AGUA, DE 1-1/4" DE DIÁMETRO.

EMPLACEMENT RECOMMANDÉ POUR LE DRAIN DE D.E. 1-1/4" DE SORTIE D'EAU.
PURGADOR DE 1-1/4 NO PROPORCIONADO
SIPHON 1-1/4 NON FOURNI

D = ELECTRICAL OUTLET LOCATION
UBICACIÓN DE LA TOMA DE ELECTRICIDAD
EMPLACEMENT DE LA PRISE DE COURANT

E = INSURE PROPER VENTILATION BY MAINTAINING 4" (102mm) (MIN.) CLEARANCE FROM CABINET LOUVERS TO WALL.
ASEGURE UNA VENTILACIÓN ADECUADA MANTENIENDO UN ESPACIO E 4" (102mm) (MÍN.) DE HOLGURA ENTRE LA REJILLA DE VENTILACIÓN DEL MUEBLE Y LA PARED

ASSUREZ-VOUS UNE BONNE VENTILATION EN GARDANT 4" (102mm) (MIN.) ENTRE LES ÉVÉNENTS DE L'ENCEINTE ET LE MUR.

F = POWER CORD 4 FEET (1219mm) LONG
CABLE ELÉCTRICO DE 4 PIE (1219mm), DE LARGO CORDON D'ALIMENTATION 4' (1219mm)

FINISHED FLOOR
PISO ACABADO
PLANCHER FINI

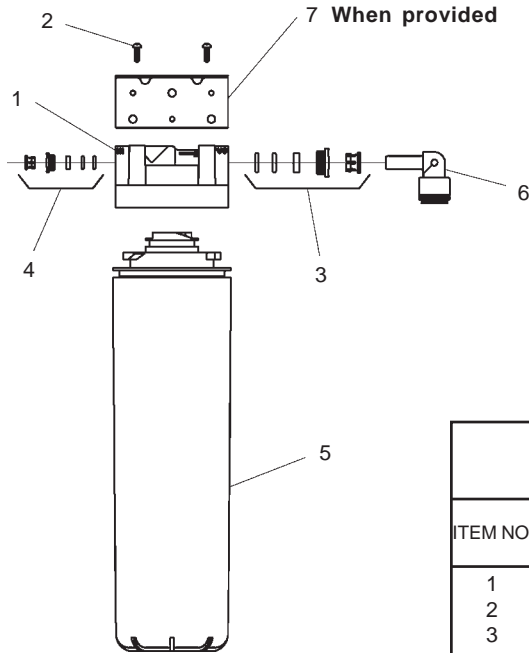
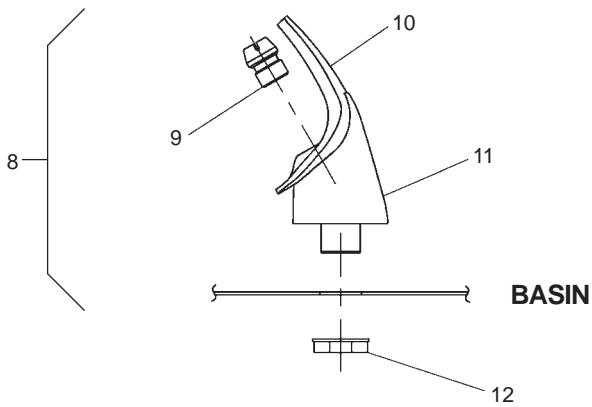


FIG. 5

| DESIGN 2000® FILTER PARTS LIST | | |
|--------------------------------|----------|---------------------------------|
| ITEM NO. | PART NO. | DESCRIPTION |
| 1 | 51294C | Filter Head Ass'y |
| 2 | 70792C | Screw #8-18 X .75 PH |
| 3 | 70823C | Fitting - Superseal 3/8" (10mm) |
| 4 | 70822C | Fitting - Superseal 1/4" (6mm) |
| 5 | 51299C | Filter Ass'y |
| 6 | 70818C | Elbow - 3/8" (10mm) |
| 7 | 22490C | Bracket |



NOTE:
 WHEN INSTALLING REPLACEMENT BUBBLER AND PEDESTAL, TIGHTEN NUT (ITEM 12) ONLY TO HOLD PARTS SNUG IN POSITION. DO NOT OVER TIGHTEN.

FIG. 3

Stream height is factory set at 35 PSI. If supply pressure varies greatly from this, remove Items 1 & 2 and adjust screw on Item 4. Clockwise adjustment will raise stream and counter-clockwise adjustment will lower stream. For best adjustment, stream should hit basin approximately 6-1/2" (165mm) from bubbler.

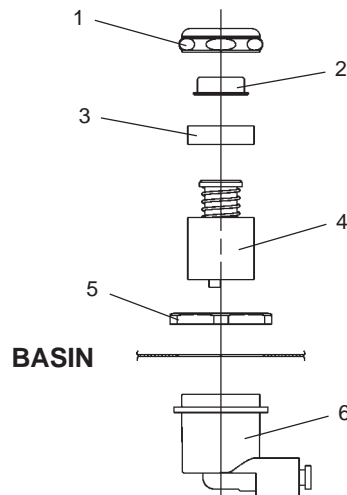


FIG. 4

PARTS LIST 115V

| ITEM NO. | PART NO. | DESCRIPTION |
|----------|-----------------|-------------------------------|
| 1 | 40089C | Cover |
| 2 | 40048C | Button |
| 3 | 15005C | Regulator Retaining Nut |
| 4 | 61313C | Regulator |
| 5 | 40169C | Hex Nut |
| 6 | 50986C | Regulator Holder |
| 7 | 20776C | Basin |
| | 20713C | Basin (GF Only) |
| 8 | 56073C | Bubbler Assy |
| 9 | 40322C | Orifice Assy |
| 10 | 56011C | Housing Assy |
| 11 | 55997C | Pedestal |
| 12 | 75580C | Bubbler Locknut |
| 13 | 31513C | Cold Control |
| 14 | 36208C | Power Cord (8 GPH) |
| | 35888C | Power Cord (14 GPH) |
| 15 | 66417C | Condenser (8 GPH) |
| | 66432C | Condenser (14 GPH) |
| 16 | 21516C | Fan Shroud |
| 17 | 31490C | Fan Motor (8 GPH) |
| | 31492C | Fan Motor (14 GPH) |
| 18 | 30664C | Fan Blade |
| 19 | 20239C | Fan Bracket |
| 20 | 70018C | Fan Blade Nut |
| 21 | 66202C | Drier (8 GPH) |
| | 66203C | Drier (14 GPH) |
| *22 | 35762C | Compressor Serv. Pak 8 GPH |
| | 35775C | Compressor Serv. Pak 14 GPH |
| 23 | 31027C | Overload/Relay Assy. (8 GPH) |
| | 35840C | Overload (14 GPH) |
| | 35843C | Relay (14 GPH) |
| 24 | 31797C | Relay Cover (8 GPH) |
| | 35768C | Relay Cover (14 GPH) |
| 25 | 194243901550 | Electrical Shield |
| 26 | 55996C | Strainer |
| 27 | 45702C | Tailpipe Assy |
| 28 | 66229C | Heat Exchanger (8 GPH) |
| | 66445C | Heat Exchanger (14 GPH) |
| 29 | 66505C | Evaporator (8 GPH) |
| | 66506C | Evaporator (14 GPH) |
| 30 | 70682C | Fitting - Tee |
| 31 | 40022C | Waste Connection Assy |
| 32 | 40088C | Assy - Tailpipe |
| 33 | See Color Table | Panel-Left Side (Right Unit) |
| 34 | See Color Table | Panel-Right Side (Right Unit) |
| 35 | See Color Table | Panel-Front (Right Unit) |
| 36 | See Color Table | Panel-Left Side (Left Unit) |
| 37 | See Color Table | Panel-Right Side (Left Unit) |
| 38 | See Color Table | Panel-Front (Left Unit) |
| 39 | 50368C | Receptor - Drain |
| 40 | 70750C | Clamp |
| 41 | 35844C | Capacitor (14 GPH) |
| 42 | 56092C | Poly. Tubing (Cut to Length) |
| 43 | 100322740560 | Gasket (GF) |
| 44 | 15009C | Nipple - Bubbler (GF) |

*INCLUDES RELAY & OVERLOAD. IF UNDER WARRANTY, REPLACE WITH SAME COMPRESSOR USED IN ORIGINAL ASSEMBLY.

NOTE: All correspondence pertaining to any of the above water coolers or orders for repair parts MUST include Model No. and Serial No. of cooler, name and part number of replacement part.

220V/50Hz

| ITEM NO. | PART. NO. | DESCRIPTION |
|----------|-----------|----------------------|
| 14 | 36024C | Power Cord |
| 17 | 31430C | Fan Motor |
| 22* | 35764C | Compressor Serv. Pak |
| 23 | 36177C | Overload |
| | 36178C | Relay |
| 24 | 35768C | Relay Cover |
| NS | 35826C | Power Inlet |

230V/60Hz

| ITEM NO. | PART. NO. | DESCRIPTION |
|----------|-----------|----------------------|
| 14 | 36024C | Power Cord |
| 17 | 31431C | Fan Motor |
| 22* | 35856C | Compressor Serv. Pak |
| 23 | 35799C | Overload |
| 23 | 35805C | Relay |
| NS | 35826C | Power Inlet |

COLOR TABLE

| PANEL COLOR | Item No. 33 Part No. | Item No. 34 Part No. | Item No. 35 Part No. |
|---------------|----------------------|----------------------|----------------------|
| Gray Beige | 20732C | 20639C | 20675C |
| Almond | 21477C | 21465C | 20676C |
| Stainless Stl | 20733C | 20641C | 20672C |
| Sandalwood | 21476C | 21463C | 21454C |
| Granite | 27186C | 27174C | 27150C |
| Light Gray | 27187C | 27175C | 27154C |

COLOR TABLE

| PANEL COLOR | Item No. 36 Part No. | Item No. 37 Part No. | Item No. 38 Part No. |
|---------------|----------------------|----------------------|----------------------|
| Gray Beige | 20646C | 20736C | 20684C |
| Almond | 21468C | 21479C | 20685C |
| Stainless Stl | 20648C | 20737C | 20681C |
| Sandalwood | 21466C | 21478C | 21456C |
| Granite | 27177C | 27189C | 27153C |
| Light Gray | 27178C | 27190C | 27154C |

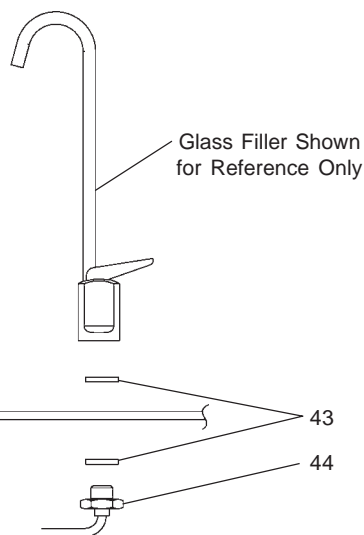


FIG. 6