

Installation/Care/Use Manual

USES HFC-134A REFRIGERANT

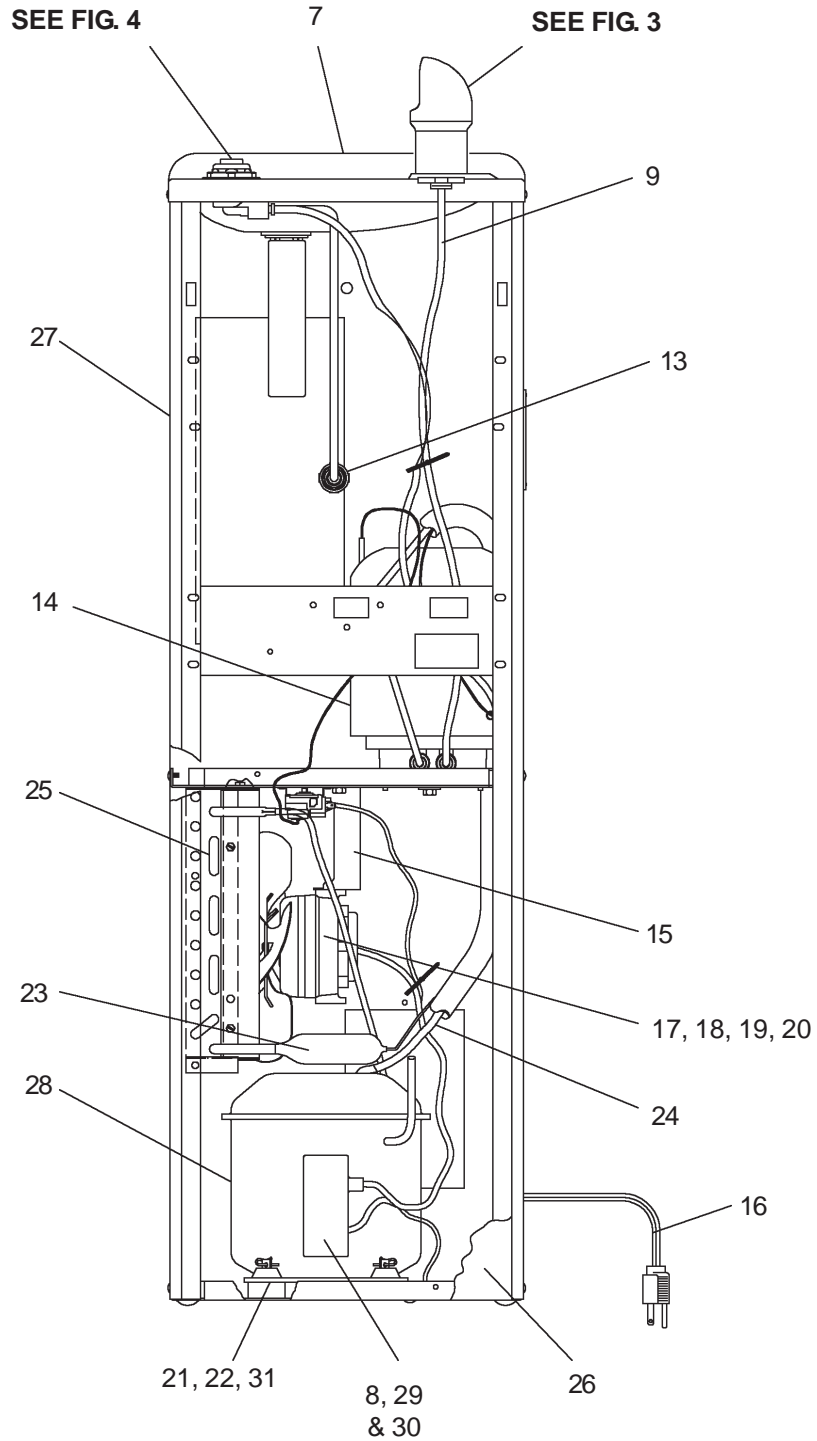


FIG. 1

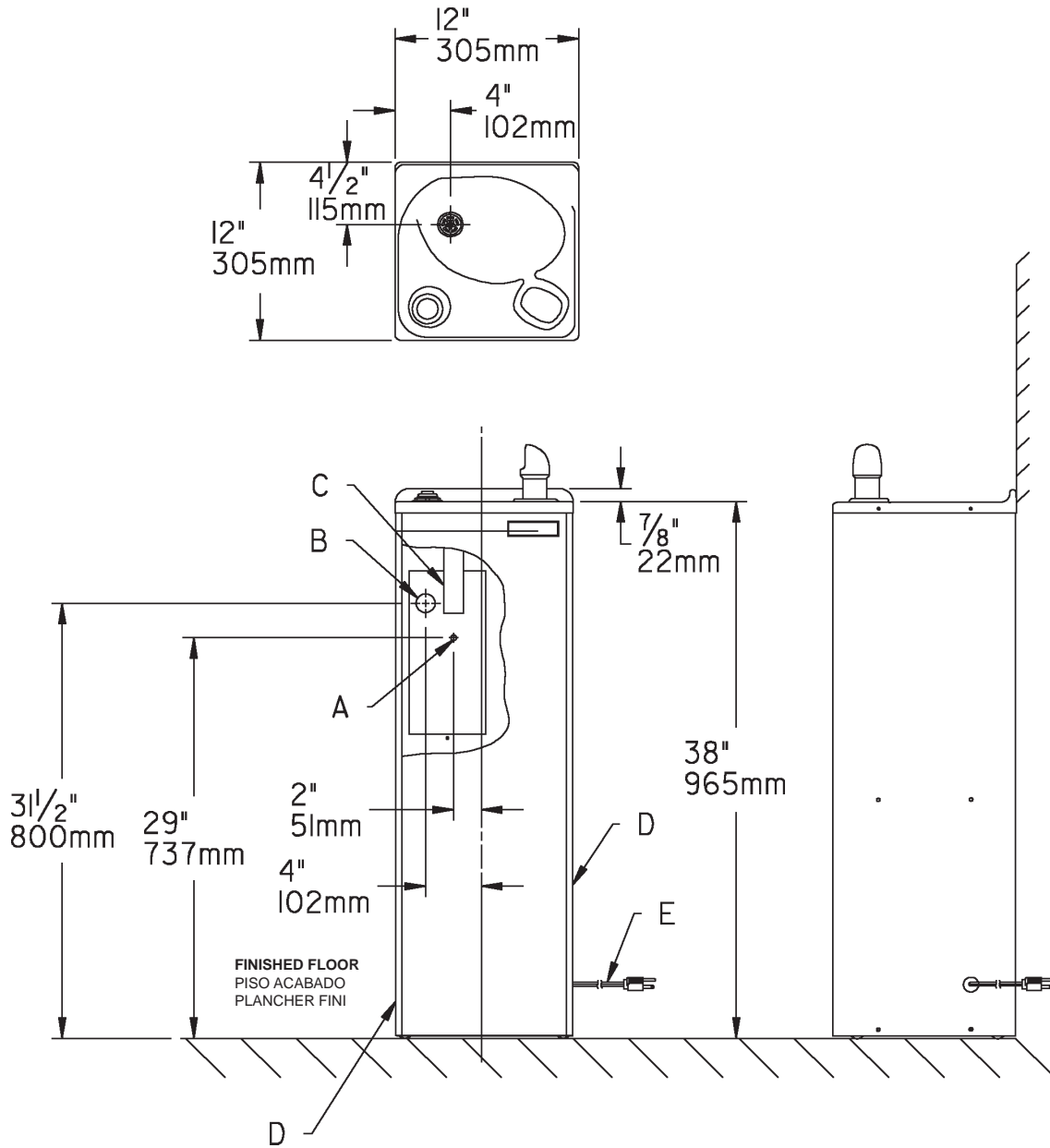


FIG. 2

LEGEND/LEYENDA/LÉGENDE

A = RECOMMENDED WATER SUPPLY LOCATION 3/8" O.D. UNPLATED COPPER TUBE CONNECT STUB 1-1/2" (38mm) OUT FROM WALL. SHUT OFF BY OTHERS

SE RECOMIENDA UBICAR EL TUBO DE CONEXIÓN AL TUBO DE COBRE SIN CHAPAR DE 3/8" DE DIAM. EXT. A 1-1/2" (38mm) FUERA DE LA LLAVA DE PASO EN LA PARED COLOCADA POR TERCEROS.
EMPLACEMENT RECOMMANDÉ D'ALIMENTATION EN EAU PAR TUBE EN CUIVRE NON PLAQUÉ DE 3/8 PO. (9,5mm) D.E. CONNECTANT UNE TUYAUTERIE DE 1-1/2 PO. (38mm) DEPUIS LE ROBINET D'ARRET FOURNI PAR D'AUTRES.

B = RECOMMENDED LOCATION FOR WASTE OUTLET 1-1/4" O.D. DRAIN

UBICACIÓN RECOMENDADA PARA EL DRENAJE DE SALIDA DE AGUA, DE 1-1/4" DE DIÁMETRO.
EMPLACEMENT RECOMMANDÉ POUR LE DRAIN DE D.E. 1-1/4" DE SORTIE D'EAU.

C = 1-1/4" TRAP NOT FURNISHED

PURGADOR DE 1-1/4 NO PROPORCIONADO
SIPHON 1-1/4 NON FOURNI

D = INSURE PROPER VENTILATION BY MAINTAINING 4" (102mm) (MIN.) CLEARANCE FROM CABINET LOUVERS TO WALL.

ASEGURE UNA VENTILACIÓN ADECUADA MANTENIENDO UN ESPACIO E 4" (102mm) (MÍN.) DE HOLSURA ENTRE LA REJILLA DE VENTILACIÓN DEL MUEBLE Y LA PARED
ASSUREZ-VOUS UNE BONNE VENTILATION EN GARDANT 4" (102mm) (MÍN.) ENTRE LES ÉVENTS DE L'ENCEINTE ET LE MUR.

E = POWER CORD 4 FEET (1219mm) LONG

CABLE ELÉCTRICO DE 4 PIE (1219mm), DE LARGO
CORDON D'ALIMENTATION 4' (1219mm)

Note: When installing replacement bubbler, tighten nut (Item 12) only to hold parts snug in position. **Do not over tighten.**

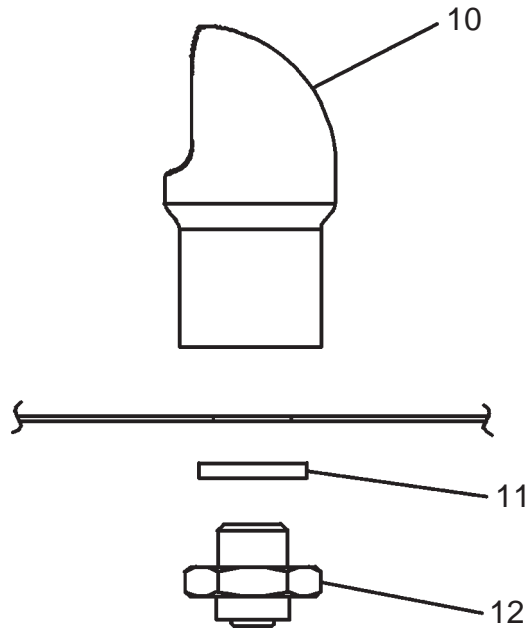


FIG. 3

Stream height is factory set at 35 PSI. If supply pressure varies greatly from this, remove Items 1 & 2 and adjust screw on Item 4. Clockwise adjustment will raise stream and counter-clockwise adjustment will lower stream. For best adjustment, stream should hit basin approximately 6-1/2" (165mm) from bubbler.

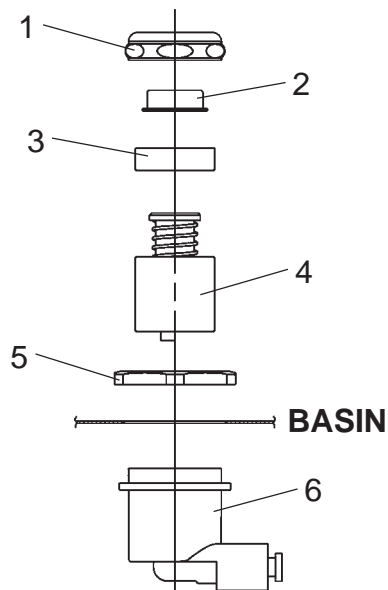


FIG. 4

PARTS LIST 115V		
ITEM NO.	PARTNO.	DESCRIPTION
1	40089C	Cover
2	40048C	Button
3	15005C	Regulator Retaining Nut
4	61313C	Regulator
5	40169C	Hex Nut
6	50986C	Regulator Holder
7	21781C	Basin & Drain Assy
	21782C	Basin & Drain Assy (GF)
8	36231C	Relay
9	56092C	Poly Tubing (Cut To Length)
10	98118C	Bubbler Assembly
11	100322740560	Washer
12	15009C	Bubbler Nipple
13	55996C	Strainer
14	66504C	Evaporator Assy
15	31513C	Cold Control
16	31501C	Power Cord
17	31490C	Fan Motor
18	30664C	Fan Blade
19	70018C	Fan Blade Nut
20	20282C	Fan Motor Bracket
21	50144C	Grommet - Compressor Mtg.
22	19037000	Clip - Compressor Mtg.
23	66201C	Drier
24	66301C	Heat Exchanger
25	66303C	Condenser
26	20460C	Front Panel (Stainless Steel)
	21482C	Front Panel (Sandalwood)
27	21239C	Cabinet (Stainless Steel)
	21486C	Cabinet (Sandalwood)
*28	36242C	Compressor Serv. Pak EM45HHR
29	35768C	Cover - Relay
30	36236C	Overload
31	75670C	Stud - Compressor Mtg.

PARTS LIST 230V-50/60Hz		
ITEM NO.	PARTNO.	DESCRIPTION
7	22543C	Basin & Drain Assy
8	36232C	Relay
16	31505C	Power Cord
17	31430C	Fan Motor
23	66200C	Drier
24	66452C	Heat Exchanger
*28	36243C	Compressor Serv Pak
30	36237C	Overload

*REPLACE WITH SAME COMPRESSOR USED IN ORIGINAL ASSEMBLY.
 NOTE: All correspondence pertaining to ELKAY water coolers or orders for repair parts MUST include Model No. and Serial No. of cooler, name and part number of replacement part.

