

FHD7005,10*1D, FHD7005,10*2D, FHD7005*3D, THAD5H*1D
Space-ette™ With FLEXI-GUARD®
Installation/Care/Use Manual
USES HFC-134A REFRIGERANT

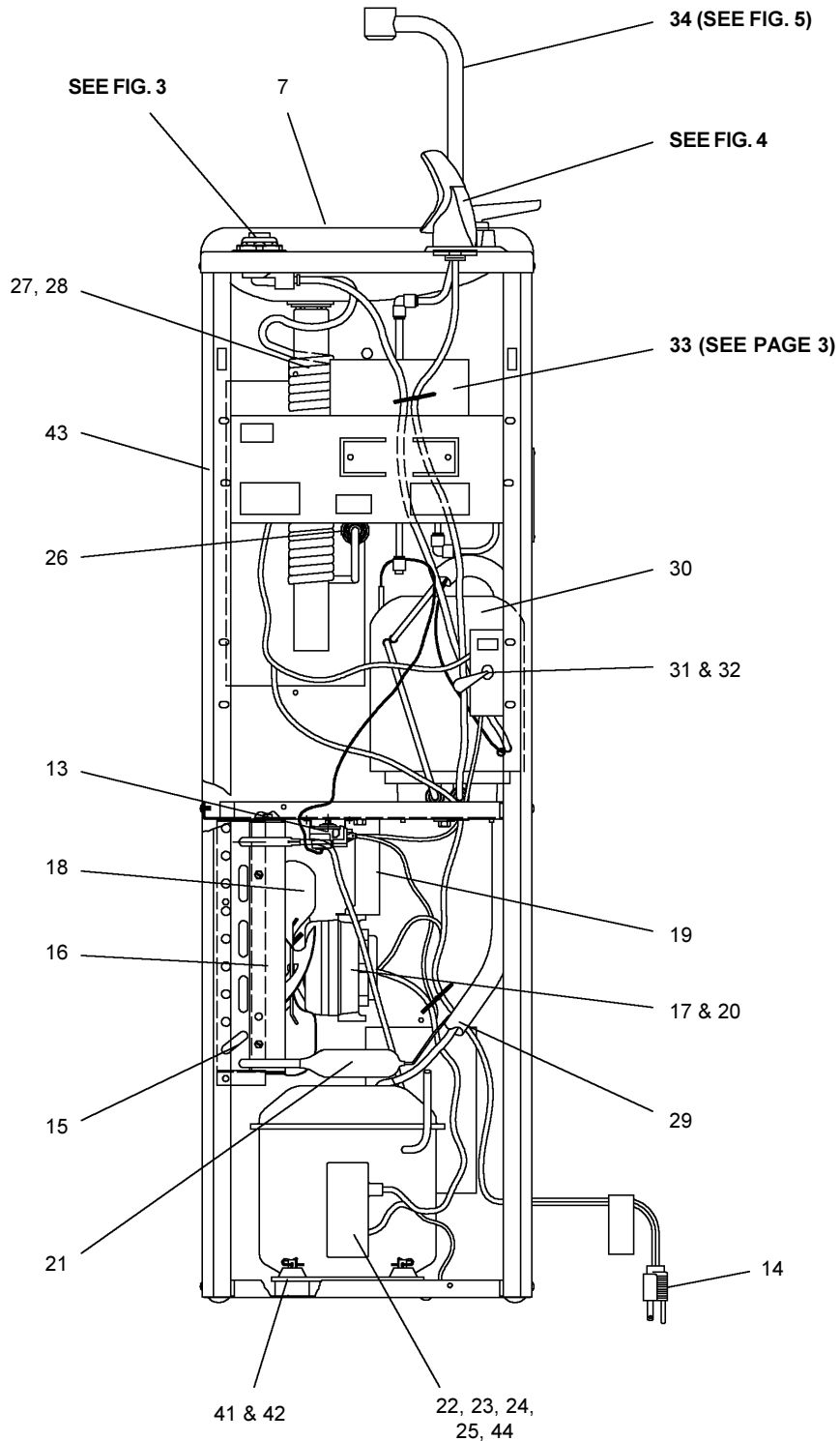


FIG. 1

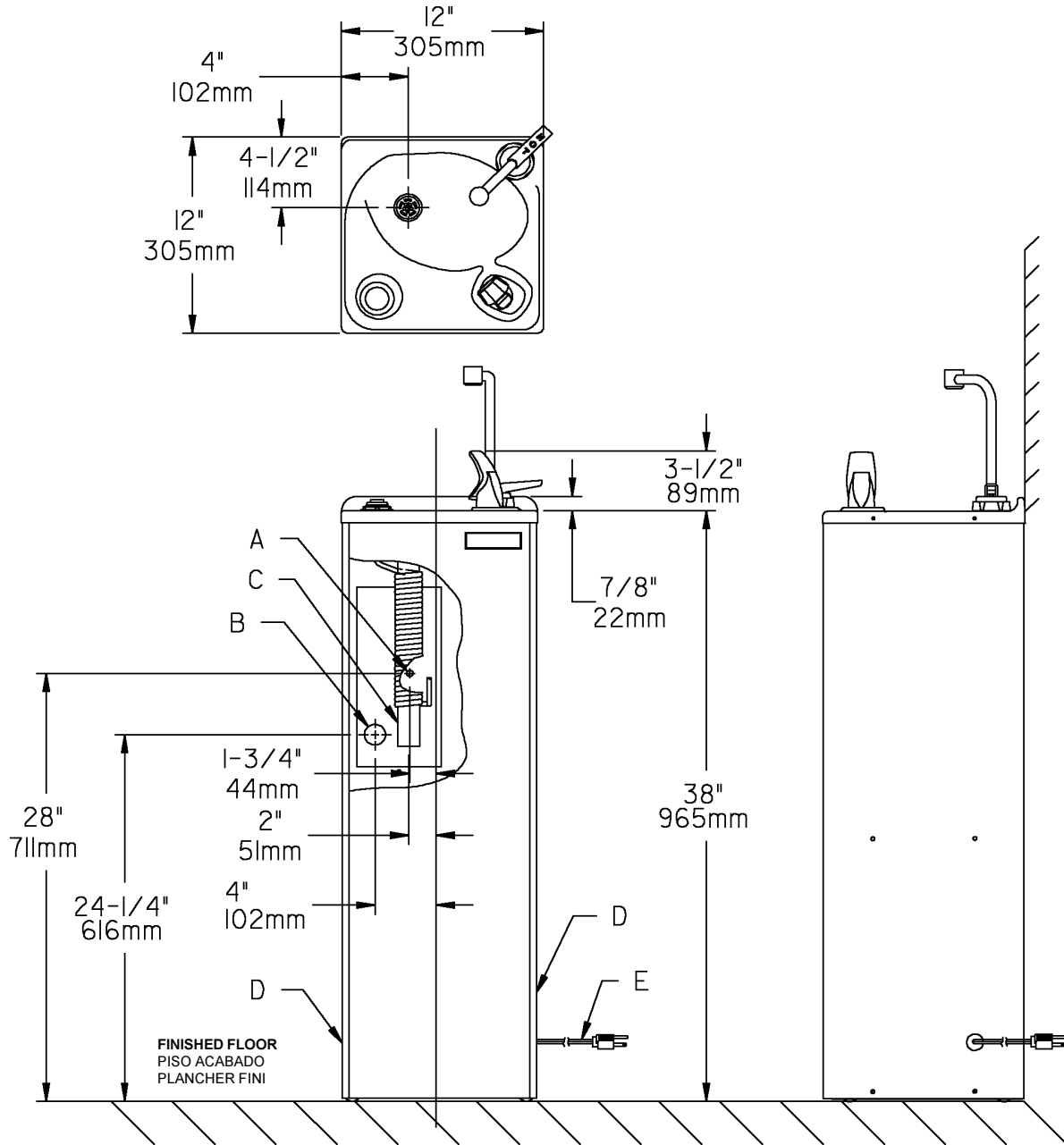


FIG. 2

LEGEND/LEYENDA/LÉGENDE

A = RECOMMENDED WATER SUPPLY LOCATION 3/8 O.D. UNPLATED COPPER TUBE CONNECT STUB 1-1/2" (38mm) OUT FROM WALL SHUT OFF BY OTHERS

SE RECOMIENDA UBICAR EL TUBO DE CONEXIÓN AL TUBO DE COBRE SIN CHAPAR DE 3/8" DE DIAM. EXT. A 1-1/2" (38mm) FUERA DE LA LAVA DE PASO EN LA PARED COLOCADA POR TERCEROS.

EMPLACEMENT RECOMMANDÉ D'ALIMENTATION EN EAU PAR TUBE EN CUIVRE NON PLAQUÉ DE 3/8 PO. (9,5mm) D.E. CONNECTANT UNE TUYAUTERIE DE 1-1/2 PO. (38mm) DEPUIS LE ROBINET D'ARRÊT FOURNI PAR D'AUTRES.

B = RECOMMENDED LOCATION FOR WASTE OUTLET 1-1/4" O.D. DRAIN

UBICACIÓN RECOMENDADA PARA EL DRENAJE DE SALIDA DE AGUA, DE 1-1/4" DE DIÁMETRO.

EMPLACEMENT RECOMMANDÉ POUR LE DRAIN DE D.E. 1-1/4" DE SORTIE D'EAU.

C = 1-1/4 TRAP NOT FURNISHED

PURGADOR DE 1-1/4 NO PROPORCIONADO

SIPHON 1-1/4 NON FOURNI

D = INSURE PROPER VENTILATION BY MAINTAINING 4" (102mm) (MIN.) CLEARANCE FROM CABINET LOUVERS TO WALL.

ASEGURE UNA VENTILACIÓN ADECUADA MANTENIENDO UN ESPACIO E 4" (102mm) (MÍN.) DE HOLSURA ENTRE LA REJILLA DE VENTILACIÓN DEL MUEBLE Y LA PARED

ASSUREZ-VOUS UNE BONNE VENTILATION EN GARDANT 4" (102mm) (MÍN.) ENTRE LES ÉVENTS DE L'ENCEINTE ET LE MUR.

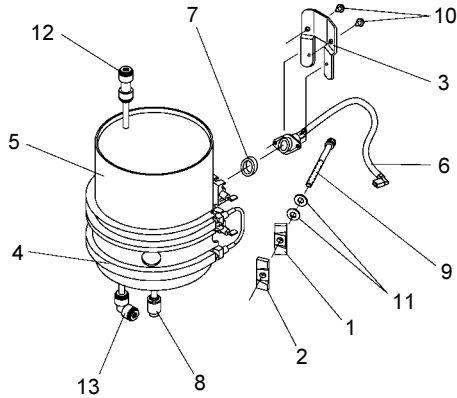
E = POWER CORD 4 FEET (1219mm) LONG

CABLE ELÉCTRICO DE 4 PIE (1219mm), DE LARGO

CORDON D'ALIMENTATION 4' (1219mm)

SERVICING THE HOT CONTROL AND FUSE ASSEMBLY

1. A temperature sensing non-resetable fuse in the wire is located approximately 3" (76mm) from the thermostat. The fuse is located under the retaining bracket (Item 3) in the groove on the heater element jacket (Item 4).
2. The thermostat must be used with a washer-spacer (Item 7) and be centered in the heater element jacket for proper temperature control. Locate the heater element jacket about 3/4" (19mm) above the bottom of the tank.
3. The heater element jacket must be fastened **VERY TIGHTLY** to the tank (45+/-10 inch-lbs. of torque on the mounting screw Item 9). Failure to **TIGHTEN** heater element jacket may cause rapid failure of the fuse assembly.



HOT TANK PARTS LIST

ITEM NO.	PART. NO.	DESCRIPTION
1	22111C	Heater Clamping Bracket
2	22112C	Heater Clamping Bracket (thrd)
3	22113C	Retaining Bracket
4	30980C	Heater Element & Jacket
5	31386C	Tank & Tube Assy
6	31428C	Hot Control Assy
7	50787C	Washer-Spacer
8	70606C	Drain Plug
9	70607C	Screw 1/4-20 x 3.00" HSHC
10	70640C	Screw #8-18 x 5/16" HHTC
11	70659C	Belleville Washer
12	70683C	1/4 Union
13	70793C	1/4 Elbow
NS	22588C	Hot Tank Mounting Bracket

Stream height is factory set at 35 PSI. If supply pressure varies greatly from this, remove Items 1 & 2 and adjust screw on Item 4. Clockwise adjustment will raise stream and counter-clockwise adjustment will lower stream. For best adjustment, stream should hit basin approximately 6-1/2" (165mm) from bubbler.

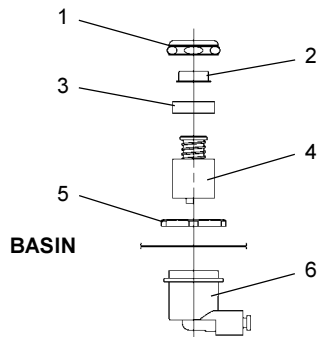
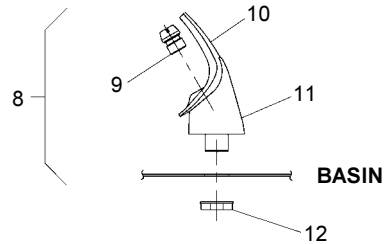


FIG. 3



NOTE:
WHEN INSTALLING REPLACEMENT BUBBLER AND PEDESTAL, TIGHTEN NUT (ITEM 12) ONLY TO HOLD PARTS SNUG IN POSITION. DO NOT OVER TIGHTEN.

FIG. 4

WIRING DIAGRAM

This Drawing is merely for illustrating the components of the electrical system.

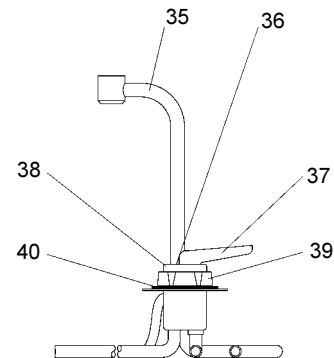
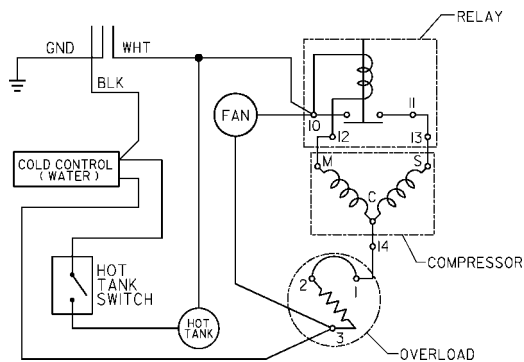


FIG. 5

FHD7005,10*1D, FHD7005,10*2D, FHD7005*3D, THAD5H*1D

PARTS LIST 115V

ITEM NO.	PART NO.	DESCRIPTION
1	40089C	Cover
2	40048C	Button
3	15005C	Regulator Retaining Nut
4	61313C	Regulator
5	40169C	Hex Nut
6	50986C	Regulator Holder
7	22546C	Basin & Precooler Assy
8	51349C	Bubbler Assy
9	40322C	Orifice Assy
10	50934C	Housing Assy
11	50168C	Pedestal
12	70012C	Bubbler Locknut
13	31513C	Cold Control
14	31495C	Power Cord
15	66303C	Condenser (5GPH)
	66304C	Condenser (10GPH)
16	50189C	Fan Shroud
17	31490C	Fan Motor
18	30664C	Fan Blade
19	20282C	Fan Bracket
20	70018C	Fan Blade Nut
21	66200C	Drier (5GPH)
	66202C	Drier (10GPH)
22*	35786C	Compressor Serv. Pak PW3HK7 (5GPH)
22a*	35947C	Compressor Serv. Pak EM65 (10GPH)
23	31038C	Overload/Relay Assy 1.350.398 (5GPH)
23a	31039C	Overload/Relay Assy P600B/427NFBYY (10GPH)
24	35766C	Cover - Relay (5GPH)
24a	35768C	Cover - Relay (10GPH)
25	194243901550	Electrical Shield
26	55996C	Strainer
27	40570C	Precooler Assy
28	55835C	Tailpipe Helix
29	66300C	Heat Exchanger (5GPH)
29a	66508C	Heat Exchanger (10GPH)
30	66504C	Evaporator (5GPH)
30a	66505C	Evaporator (10GPH)
31	21591C	Hot Tank Switch Bracket
32	30010C	Hot Tank Switch
33	31405C	Hot Tank Assy
34	40582C	Hot Valve Assy
35	40597C	Gooseneck
36	92712C	Hot Valve Kit
37	51543C	Handle
38	40596C	Shroud
39	70921C	Mounting Nut
40	33659000	Body Gasket
41	50144C	Grommet-Compressor
42	70418C	Washer-Compressor
43	21486C	Cabinet-Sandalwood
	21239C	Cabinet-Stainless Steel
44a	35935C	Capacitor - Run (10GPH)
NS	21482C	Front Panel-Sandalwood
	20460C	Front Panel-Stainless Steel
NS	55832C	Flow Regulator Assy

PARTS LIST 230V-50/60Hz

ITEM NO.	PART NO.	DESCRIPTION
17	31430C	Fan Motor
*22	35788C	Compressor Serv Pak (5 GPH)
*22a	35763C	Compressor Serv Pak (10 GPH)
23	31035C	Overload/Relay Assy (5 GPH)
23a	31024C	Overload/Relay Assy (10 GPH)
24	35768C	Relay Cover (10 GPH)
33	31406C	Hot Tank Assy

*REPLACE WITH SAME COMPRESSOR USED IN ORIGINAL ASSEMBLY. NOTE: All correspondence pertaining to ELKAY water coolers or orders for repair parts MUST include Model No. and Serial No. of cooler, name and part number of replacement part.