

H1011.8HO

Barrier-Free Wall Mounted Electric Drinking Fountain



FEATURES & BENEFITS

Barrier-Free

Barrier-free capabilities combined with its ease of use allows for a number of installation location possibilities.

Finish

Beautiful #4 satin stainless steel finish basin can be easily cleaned and maintained while also resisting corrosion.

Quality Control

Both fountains are pre-built and fully water and pressure tested to ensure no leaks and proper function for reduced installation time and added peace of mind.

Hands-Free Operation

Electric sensor allows for operation simply by moving in front of fountain, eliminating the need for manual activation under a number of circumstances.

Construction

18 gauge Type 304 Stainless Steel fountain with attractive and functional swirl bowl design, along with a vandal-resistant bottom plate provides a long lasting unit with added peace of mind.

Bubbler Head

Polished chrome-plated brass bubbler head with integral laminar flow prevents splashing and provides a superior flow pattern. The integral basin shank and inserted roll pin adds vandal resistance strength to the design, and the shielded angled stream orifice produces a steady sanitary source of water.

Mounting

Heavy-duty galvanized steel mounting frame provides the sturdy hidden support needed for the "Hi-Lo" configuration of this unit. Further convenience is given to the chiller with the integral fold-out shelf.

Push Button

With its patented (Pat.# 6,981,692) push-button valve assembly which allows for front access stream adjustment as well as cartridge and strainer access, this fountain offers the ultimate in ease of maintenance.



SPECIFICATIONS

Model H1011.8HO electric "Hi-Lo" wall mounted barrier-free drinking fountain shall include dual 18 gauge Type 304 Stainless Steel satin finish basins with integral swirl design, push-button operated valves with front-accessible cartridge and flow adjustment with one basin and a "hands-off" electric sensor activated valve on the other, polished chrome-plated brass vandal-resistant bubbler heads with integral laminar anti-squirt flow, chrome-plated brass vandal-resistant waste strainer, vandal-resistant bottom plates, stainless steel satin finish back panel and louvered intrusion-proof grill, high and low fountain mounting levels, and 1-1/4" O.D. waste pipes. The R-134a refrigeration system is hermetically sealed and delivers a minimum of 8 gph (30.3 lph) of water at 50°F (10°C) cooled from 80°F (26.7°C) inlet water at 90°F (32.2°C) ambient. 115 Volts, 60Hz, rated watts: 370, full load amps: 5.

OPTIONS

- Bubbler Head: Model 5725 EnviroGard™ bubbler is a polished chrome-plated solid brass bubbler head with stainless steel water activated pop up canopy. (Pat.# 7,025,282)
- Filter: Model 6426, 12" x 2", in-line lead removal element that reduces lead from incoming water supply.
- Cane Touch Skirt: Model SK3, satin finish stainless steel cane touch skirt for installation on high unit to comply with ADA protruding objects guidelines.

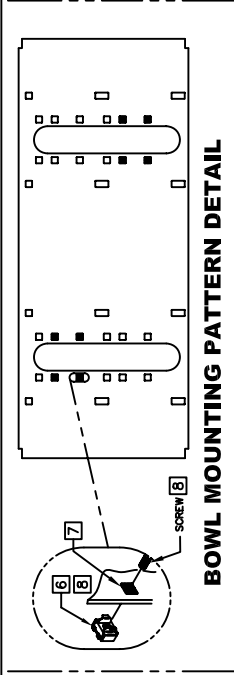
APPLICATIONS

Perfect for either public or private settings, our stainless steel electric drinking fountains are a great fit in indoor environments. This series is precisely mounted, making it a nice addition to any surrounding. Specifically, this type fountain may be placed in settings such as: schools, office buildings, shopping malls, and other indoor environments where there is a demand for a chilled water source and/or wheel chair access.

Model meets all current Federal Regulations for the disabled including those in the Americans with Disabilities Act. Electric water coolers are not recommended or designed for outdoor applications or enclosed pool areas (chlorine). These conditions may void warranty. Haws manufactures drinking fountains, electric water coolers and electric drinking fountains to be lead-free by all known definitions including ANSI/NSF Standard 61, Section 9, California Proposition 65, and the Federal Safe Drinking Water Act. Haws electric water coolers comply with ARI Standard 1010 and ANSI A117.1, and be listed by Underwriter Laboratories to U.S. and Canadian standards.



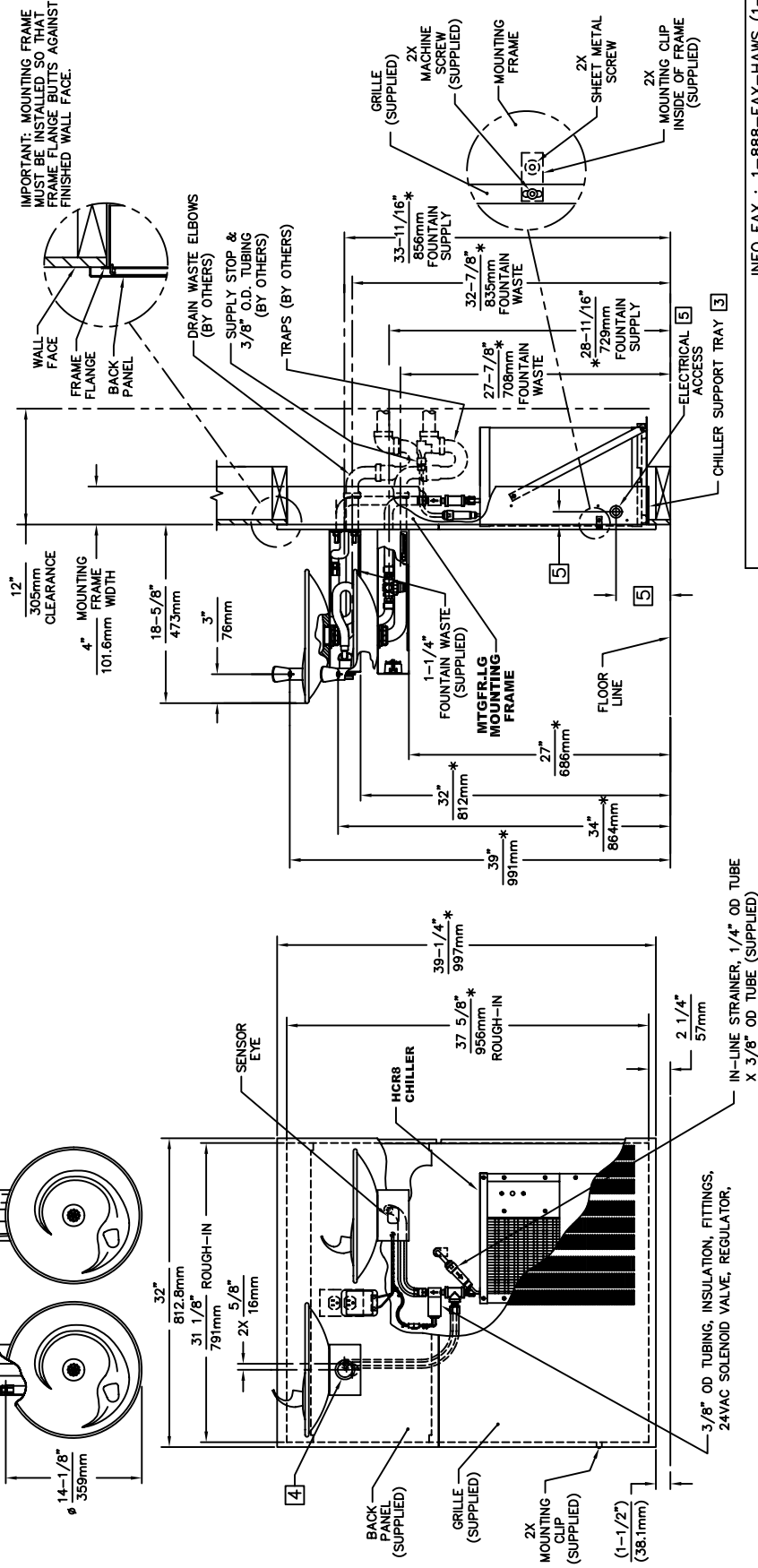
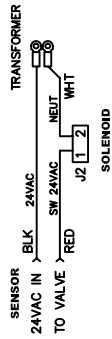
THIS DOCUMENT IS TRUE AND CORRECT AT TIME OF PUBLICATION. CONTINUED PRODUCT IMPROVEMENTS MAKE SPECIFICATIONS AND MEASUREMENTS SUBJECT TO CHANGE WITHOUT NOTICE.



NOTES:

- HOLD ROUGH-IN DIMENSIONS $\pm 1/8"$ (3.2mm).
- WHEN INSTALLING THIS UNIT, LOCAL STATE OR FEDERAL CODES SHOULD BE ADHERED TO. FOR INSTALLATION DIMENSIONS (LOCATIONS), WASTE AND SUPPLY REQUIREMENTS OTHER THAN SHOWN, DIMENSIONS MARKED (*) MUST BE ADJUSTED ACCORDINGLY.
- ALIGN HOLES IN CHILLER SUPPORT TRAY WITH HOLES IN FRAME AND FASTEN WITH #10 SHEET METAL SCREWS.
- REFER TO 587AVK8574 OPERATION AND MAINTENANCE MANUAL FOR PUSH BUTTON AND VALVE INSTALLATION/MAINTENANCE INSTRUCTIONS.
- REFER TO MTGFR.LG INSTALLATION DRAWING FOR ROUGH-IN DIMENSIONS.
- INSERT 5/16"-18 PANEL INSERTS FROM OPPOSITE SIDE AT LOCATIONS SHOWN BY DARKENED HOLES. HOLE COMBINATIONS SHOWN ARE FOR USE WITH LOW FOUNTAIN ON THE RIGHT AND HI FOUNTAIN ON THE LEFT. USE OPPOSITE HOLES FOR HI ON RIGHT AND LOW ON LEFT.
- HOLE COMBINATION SHOWN BELOW IS FOR USE WITH LOW FOUNTAIN ON THE RIGHT AND HIGH FOUNTAIN ON THE LEFT. USE OPPOSITE HOLES FOR HIGH ON RIGHT AND LOW ON LEFT.
- TO CHANGE FOUNTAIN MTG. SCREW LOCATIONS: FIRST REMOVE SCREWS AND THEN SQUEEZE CLIPS ON NUT RETAINER TO POP OUT. SNAP INTO NEW POSITIONS AND RE-ASSEMBLE SCREWS.
- IMPORTANT: A L.H. LOW (OPTIONAL) CONFIGURATION WILL REQUIRE A DIFFERENT BACK PANEL AND THE WASTE AND SUPPLY DIMENSIONS SHOWN (*) MUST BE REVERSED.

CABLE WIRING DIAGRAM



Haws Corporation

INFO FAX: 1-888-FAX-HAWS (1-888-329-4297)
 1455 Kleppe Ln, Sparks NV, 89431
 Phone: 775-359-4712 Fax: 775-359-7424
 Haws Ag Bachweg 3 CH-3401 Burgdorf Switzerland
 Haws Mfg Pte Ltd 74 Sungai Kadut Loop Singapore 729531
 e-mail: Haws@hawsco.com website: www.hawsco.com

REV. NO.	REVISED PER	BY	DATE
1	ENCL 4181	PKM	10/07/97
2	RTM	PKM	07/97
APPROVER	DATE		

MODEL(S): H1011.8HO
 INFO FAX DOC # 24101146
 SCALE: 1:18 DRAWING TYPE: INSTALLATION/FABRACK

PART NUMBER: 0002080250.D
 DRAWING NUMBER: 13146A00
 REV: 13
 SIZE: A SHT. 1 OF 1



INSTALLATION, OPERATION & MAINTENANCE INSTRUCTIONS

1455 Kleppe Lane ♦ Sparks, NV 89431-6467 ♦ (775) 359-4712 ♦ Fax (775) 359-7424
HAWS AG ♦ Bachweg 3 ♦ CH-3401 Burgdorf ♦ Switzerland
Haws Mfg. Pte Lt. ♦ 2A Sungei Kadet Drive ♦ Singapore 729554
Avlis-Avenida Senador, Testonio Vilela ♦ 505 Jardim Aeroporto ♦ Itu, S.P. 13304-550 ♦ Brasil
E-mail: haws@hawsco.com ♦ website: www.hawsco.com

No. 2080250 (13)

Model H1011.8HO Water Cooler

NOTE TO INSTALLER: Please leave this information with the Maintenance Department.

A ground-fault circuit breaker shall be installed in the branch circuit supplying fountain equipment. NEC680-51(a).

CAUTION! Prior to making any electrical connections, verify with a voltmeter that power from the service panel is **off**.

LIMITED WARRANTY

HAWS® warrants that all of its products are guaranteed against defective material or poor workmanship for a period of **one year from date of shipment**. HAWS liability under this warranty shall be discharged by furnishing without charge F.O.B. HAWS Factory any goods, or part thereof, which shall appear to the Company upon inspection to be of defective material or not of first class workmanship, provided that claim is made in writing to company within a reasonable period after receipt of the product. Where claims for defects are made, the defective part or parts shall be delivered to the Company, prepaid, for inspection. HAWS will not be liable for the cost of repairs, alterations or replacements, or for any expense connected therewith made by the owner or his agents, except upon written authority from HAWS, Sparks, Nevada. HAWS will not be liable for any damages caused by defective materials or poor workmanship, except for replacements, as provided above. Buyer agrees that Haws has made no other warranties either expressed or implied in addition to those above stated, except that of title with respect to any of the products or equipment sold hereunder and that HAWS shall not be liable for general, special, or consequential damages claimed to arise under the contract of sale. The drinking fountain manufactured by HAWS is warranted to function if installation and maintenance instructions provided are adhered to. The units also must be used for the purpose for which they were intended.

NO OTHER WARRANTIES EXPRESSED OR IMPLIED ARE AUTHORIZED, PROVIDED OR GIVEN BY HAWS.

SHOULD YOU EXPERIENCE DIFFICULTY WITH THE INSTALLATION OF THIS MODEL, PLEASE CALL:

1-800-766-5612

FOR PARTS CALL:

1-800-758-9378

**(U.S.A. AND CANADA ONLY) MONDAY-THURSDAY: 6:00 A.M. – 4:00 P.M. PST
FRIDAY: 6:00 A.M – 1:00 P.M. PST**

RECOMMENDED TOOLS: Hack saw, pipe joint sealant, screwdriver, level, 12" adjustable wrench, 10" pipe wrench, 3/32" and 5/32 " hex key wrench, 9/16", 1/2", 7/16" socket wrench or open end wrench.

LOCATION OF UNIT: The Model H1011.8HO Cooler is a wheelchair accessible drinking facility. The height dimensions shown, meet current ADA requirements. When installing this unit, local, state or federal codes should be adhered to. If height other than shown is required, then dimensions must be adjusted accordingly.

SUPPLY LINE: The minimum recommended line size is 1/2"IPS with 30-90 psi (2-6 ATM) flowing pressure. Where sediment or mineral content is a problem, an inlet filter is recommended.

PLUMBING CONNECTIONS: Inlet is 3/8" O.D. tube. Waste elbow outlet is 1-1/4" O.D. tube.

ELECTRICAL CONNECTIONS: 115VAC, 60HZ, 4.7 AMPS. Chiller wired direct to incoming line, by others.

MAINTENANCE: Periodically clean the strainer. Refer to 5874 Valve Manual for more information.

PARTS LIST		
MODEL PACKAGE	QUANTITY	ITEMS INCLUDED
MTGFR.LG	1	Mounting Frame
	3	#10 Sheet Metal Screws
HCR8	1	Chiller
H1011.8HO	1	Bowl Assembly with sensor and wiring harness
	1	Bowl Assembly with push button valve
	1	Package supply tubing with strainer
	1	Panel Bowl Back
	1	Grille
	1	Package of two each-grille attachment clips, clip nuts, #10 sheet metal screws and 6-32 screws
	2	Waste elbow 1-1/4" O.D.
	8	5/16 -18 retainer nuts
	8	5/16 – 18 x 1 hex head screws

INSTALLATION PROCEDURE

GENERAL NOTES:

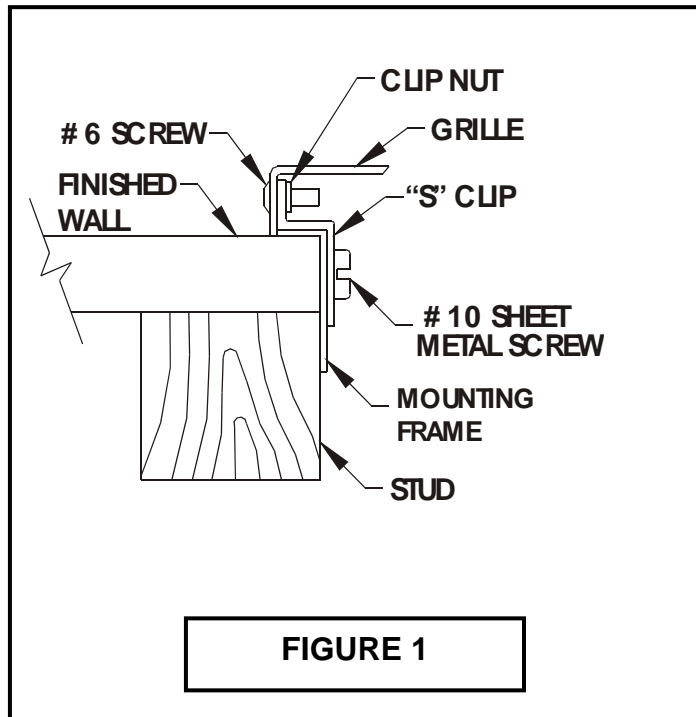
The Model H1011.8HO Water Cooler Assembly requires installation of the mounting frame as described in Steps 1 – 2, then mounting the fountain bowl assembly as described in Steps 3 – 6, and finally completing chiller water and electrical connections and starting chiller per Steps 7 – 13. First check that all required parts are received.

Grounding may cause electrical feedback into the electric drinking fountain causing an electrolysis, which creates a metallic taste or an increase in the metal content of the water. This condition can be avoided by using dielectric couplings in the assembly. The waste line, which is supplied by the installer, should also have a dielectric (plastic) coupling to completely isolate the assembly from the building plumbing system.

For all plastic push-in type fitting connections; push tubing into fitting until it bottoms out to ensure a watertight connection. To remove, depress collet and pull tubing out.

INSTALLATION PROCEDURE...

- Step 1:** Provide wall opening as detailed in installation Drawing. Frame must be positioned such that frame flanges overlap and butt against finished wall surface. Mounting holes are provided for #6 sheet metal screws. After frame is positioned in wall, swing chiller support tray into position (See Installation Drawing), align tray holes with holes in frame and fasten with #10 sheet metal screws. Mounted frame must support 50 pound chiller in addition to fountain weight and user generated forces.
- Step 2:** Install waste, supply and electrical lines in locations shown in Installation Drawing. Waste and supply lines may be installed for either rear or side entry. Verify proper waste, supply, electrical and frame locations. Use level to verify horizontal and vertical frame mounting to insure proper bowl drainage.
- Step 3:** Installation Drawing shows fountain bowls, back panel and grille locations. Unpack bowls and remove bottom plates using 3/32" hex allen wrench. Install back panel on frame with narrower edge to bottom. Position nut retainers into mounting frame and use two 5/16-18x1 hex head screws partially started in outside holes to support panel. Install bowl/bracket assembly onto panel using eight 5/16-18x1 hex head screws hand tightened. See sheet 2 of Installation Drawing for appropriate bowl mounting pattern to use for this model.
- Step 4:** Remove 1-1/2" IPS outlet elbow from traps (not supplied). Install elbow inside frame onto waste stub-outs. Reassemble trap "U" bends with inlets centered behind fountains.
- Step 5:** Remove slip joint nuts from bottom of fountain waste outlet. Assemble nut over 1-1/4" O.D. end of waste elbow as supplied by Haws. Assemble waste elbow onto bowl waste body using seal washer provided and tighten nut hand tight. Measure vertical distance down to trap inlet and cut the vertical (not supplied) elbow to length allowing 1/2" minimum for engagement into trap. Mark and similarly cut to length the horizontal waste elbow. Install elbow and tighten all the slip joint nuts.
- Step 6:** See Figure 1 for detail section view of side screw grille attachment. Unpack grille and insert upper lip behind bottom of back panel, align sides and hold up flush to bottom of back panel. Hold grille against wall and mark centers of grille side slots on wall. Masking tape may be used to prevent finished wall damage from mark. Install the "s" clips in mounting frame using #10 sheet metal screws into pre-drilled holes on lower end of each side of frame. Tighten #10 screw while holding "s" clips centered on wall marks. Check grille fit by installing grille and partially tightening #6-23 socket head screws through side of grille. Insure proper panel and grille alignment, then tighten eight 5/16-18x1 hex head screws.
- Step 7:** Unpack and remove chiller from carton. Remove front panel screws and panel. Do not remove insulating putty and foam from copper tubes or Styrofoam insulation from evaporator coil. Remove any inner packing, which may be around compressor. If applicable, remove junction box cover and electrical knock out on lower right side of housing. Install fittings (supplied) on chiller inlet and outlet tubes (see Installation Drawing).



INSTALLATION PROCEDURE ...

- Step 8:** Thoroughly flush supply line to remove all foreign matter. Connect 1/2" IPS supply screwdriver stop (not supplied) to stub-out in wall. Place chiller on chiller support tray against right hand side, fully to rear, with condenser (open panel) side facing to front. Install supply 3/8" O.D. tubing (not supplied), between screwdriver stop and chiller inlet. (Cut tubing to proper length, and follow general notes for proper connection procedures for push-in type fittings). Tubing insulation is not normally required on inlet side of chiller. Install insulated tube between fountain and solenoid valve outlet. Cut tubes as required and connect to solenoid outlet compression fitting. Open screwdriver stop **wide open** while checking for leaks at all connections. Also, check waste for leaks.
- Step 9:** Adjust bubbler stream height using a small flat-head screwdriver inserted through a hole in the center of the push button for increased flow turn clockwise and for decreased flow turn counterclockwise. If flow problems arise, see troubleshooting guide for additional instructions to correct problem. Bubbler stream may lower during short break-in period. Set initial stream height a little high to minimize or eliminate the need for break-in period readjustment.
- Step 10:** Verify that electrical power is off and power supply voltage, phase and cycle match specifications printed on chiller label. In accordance with local codes, wire directly to incoming lines at internal chiller junction box. Verify that all inner packing is removed and hand rotate fan blade to verify free rotation. Reattach chiller front panel. Turn power on and verify that chiller cycles after water reaches proper temperature. Finally, check for leaks.

INSTALLATION PROCEDURE...

Step 11: Plug the 24 VAC transformer into the duplex receptacle. This will initiate the sensor's "Start up mode" for the H.O. Sensor will take approximately five (5) minutes to complete its full cycle of self-calibration. It is important that no object is in front of sensor during this time. A steady red light visible in the center of the sensor window indicates the sensor is picking up an object. Unless this object is a permanent fixture (i.e. Wall, plant, etc.), it must be removed from the view of the sensor. The sensor will adapt itself around such permanent fixtures. In this mode, the sensor will take up to ten (10) minutes to calibrate itself.

NOTE:

1. If the 24 VAC power supply is interrupted for more than fifteen (15) seconds, the "start up mode" will automatically repeat itself when power is restored.
2. If the indicator light flashes three (3) times quickly, then three (3) times slowly and continues to repeat this sequence, this indicates incorrect wiring or a short in the 24 VAC power supply.
3. When someone remains standing in front of the sensor for more than thirty (30) seconds, the sensor will automatically shut off the water supply to the bubbler. To restart, stand to the side for a moment; then return to a position in front of the sensor.

Step 12: Turn water supply on and adjust the bubbler's flow using the black regulator mounted inside bracket that has HO sensor unit. Finally, check fountain for leaks. Verify the chiller turns off after water reaches proper temperature. If there are any problems, refer to Sensor Troubleshooting Guide.

Step 13: Install grille and tighten outer side screws. Verify there is chilled water out of bubbler.

MAINTENANCE

Step 1: Periodically clean the strainer located in the valve body. Refer to 5874 Valve Manual for more information.

Step 2: The condenser fins on chiller should be periodically cleaned with brush, air hose or vacuum cleaner. Care should be taken not to bend or deform the condenser fins.

Step 3: The chiller temperature control is factory set for 50° F water under normal conditions. For colder water, adjust control clockwise. For warmer water, turn counterclockwise (See Figure 2). Remove front chiller panel for access to temperature control. After adjustment allow unit to cycle off before checking outlet water temperature.

HO SENSOR TROUBLESHOOTING

PROBLEM	REPAIR CHECKLIST
1. Insufficient bubbler flow.	<ul style="list-style-type: none"> a. Check that screwdriver stop is wide open. b. Turn counterclockwise. c. Verify minimum 30 psi supply pressure. d. Clean inlet strainer. e. Clean rubber orifice in flow control cartridge.
2. Repeated clogs in flow control or strainer.	<ul style="list-style-type: none"> a. Install water filter in supply line.
3. Continuous bubbler flow.	<ul style="list-style-type: none"> a. Solenoid valve sticking. Clear obstruction or replace valve. b. Continuous light on sensor (no blinking), indicates sensor is sticking. Replace sensor.
4. Bubbler does not activate.	<ul style="list-style-type: none"> a. Check wiring harness. Replace if necessary. b. Check solenoid valve with 24 VAC. Replace if necessary. c. Replace sensor. d. Check transformer for 24 VAC at output terminals; replace if necessary.
5. Water too warm or cold.	<ul style="list-style-type: none"> a. Adjust chiller temperature control clockwise for colder water.

5874 VALVE TROUBLESHOOTING

PROBLEM	REPAIR CHECKLIST
1. Insufficient bubbler flow.	<ul style="list-style-type: none"> 1a. Check that inlet screwdriver stop valve is in wide-open position. b. Verify minimum 30 psi flowing supply pressure. c. Clean strainer. See 5874 Valve Manual. d. Adjust valve to increase flow. Use front adjust screw or see 5874 Valve Manual.
2. Water too warm or cold.	<ul style="list-style-type: none"> a. Adjust chiller temperature control, clockwise for colder water.

SENSOR TROUBLESHOOTING GUIDE

1. A loud click indicates when the solenoid valve is turned on. If valve clicks, but no water comes on make sure screwdriver stop is wide open. If valve clicks but still no water check valve or line for obstruction. If valve does not click when hand is placed a few inches in front of sensor, go on to next step. **DO NOT ATTEMPT TO DISASSEMBLE SENSOR; DAMAGE WILL RESULT.**
2. Using voltmeter, check for 24 VAC across the transformer terminals. Replace transformer if faulty.
3. Check solenoid valve. Voltage rating on valve top plate should be 24 VAC. Unplug sensor from wiring harness. Using a voltmeter check for 24 VAC signal from wiring harness (use hand in front of sensor to activate). Replace solenoid valve if necessary.

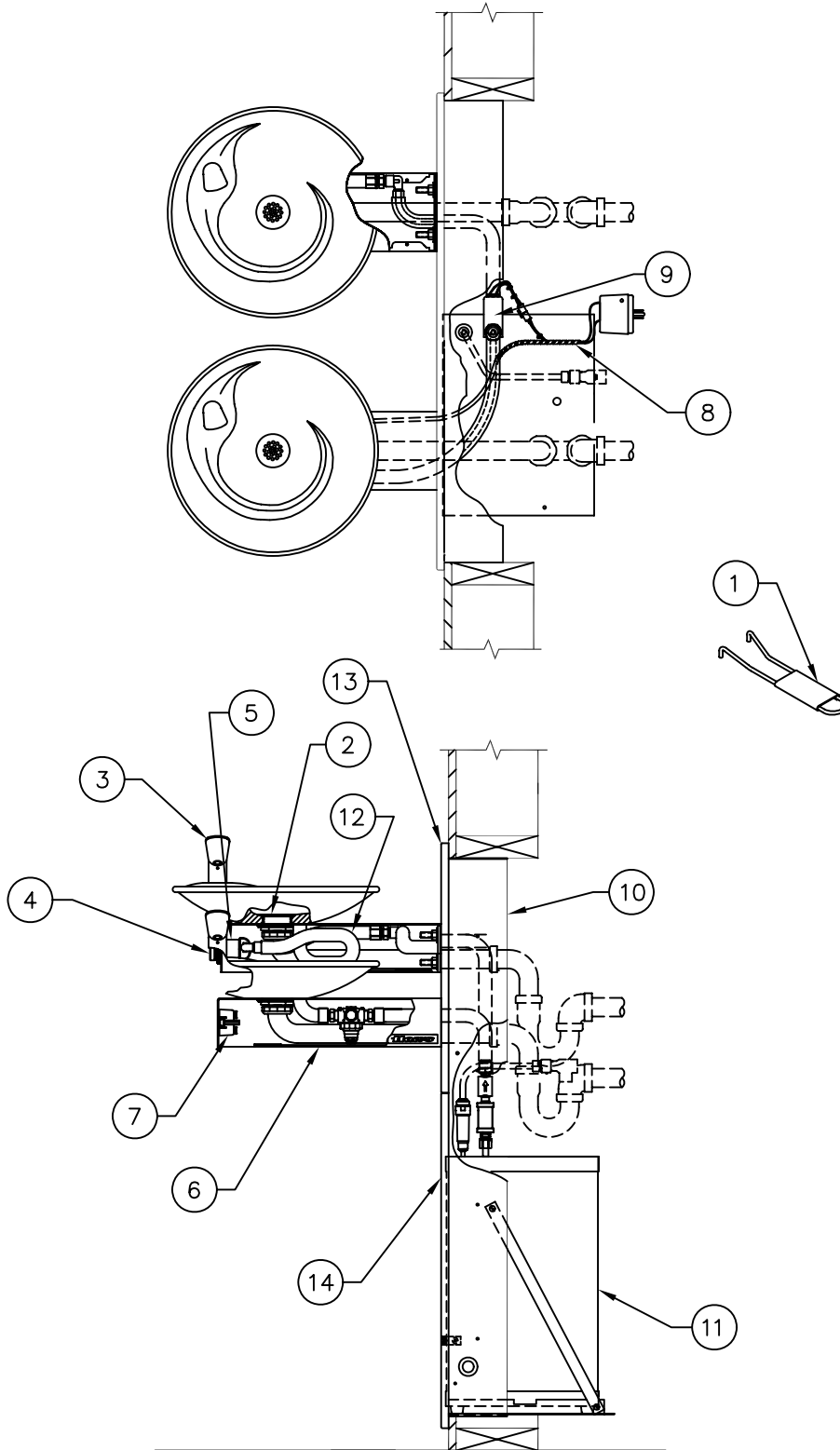
Valve coil may be checked for continuity using an ohmmeter. Disconnect valve from wiring harness and sensor wires. Connect each valve lead to a meter lead. One meter should be plugged into meter ground socket and one should be plugged into socket marked "ohm". Coil resistance should be around 10-20 ohms. If resistance is near infinity or zero, solenoid coil is at fault. Coil may be easily replaced without disconnecting valve body from plumbing. Replace with new 24VAC rated coil.

4. Check wiring harness. If wiring harness appears to be hooked up correctly, disconnect harness from valve, sensor and power cord, then check harness for continuity using ohmmeter. Replace wiring harness if faulty.

Resistance between connectors attached to each other by wires should be near zero ohms. High resistance indicates a faulty connector or wire. There should be infinite resistance between separate (independent) legs of the wiring harness. Less than infinite resistance indicates a short or cross connection. If wiring harness has proper continuity and is hooked up properly, proceed to Step "5".

5. Check sensor. If Steps 2, 3, and 4 all check out okay, the sensor is probably the problem. The sensor acts pretty much like a simple relay or switch. The SCR (semiconductor relay) within the sensor will not fully switch without a 6 to 11 Watt load such as a solenoid valve or household light bulb. For this reason, a simple ohmmeter test on a good sensor, which is not connected to the proper load, will yield misleading results seemingly indicating improper function. Replace sensor if necessary.

PARTS BREAKDOWN



ITEM	DESCRIPTION
1	SPANNER WRENCH P/N 0006983506
2	STRAINER ASSY 6463
3	BUBBLER HEAD W/INSERT 5705
4	PUSH BUTTON ASSY PBA6
5	VALVE, 5874
6	ACCESS PLATE PBM1000
7	SENSOR VRKH01
8	WIRING HARNESS VRKH02
9	SOLENOID VRKH03
10	MOUNTING FRAME MTGFR.LG
11	CHILLER HCR8
12	PRESSURE REGULATOR 5867
13	BACK PANEL 0004012000
14	GRILLE 0002626651

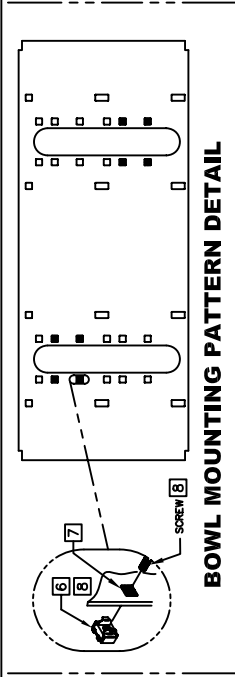
**WHEN ORDERING
PARTS PLEASE
SPECIFY YOUR
MODEL NUMBER**



1455 KLEPPE LANE BACHWEG 3
SPARKS, NEVADA CH3401 BURGDORF
SWITZERLAND

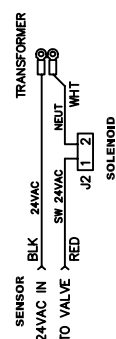
DRAWN BY: RTM	DATE: 10/21/98	CHECK BY:	APP'D BY:	SCALE: 1/6
TITLE: H1011.8HO			PART NUMBER: 0002080250	
DRAWING TYPE: PARTS BREAKDOWN			DRAWING NUMBER: 13369C00	REV. 13

THIS DOCUMENT IS TRUE AND CORRECT AT TIME OF PUBLICATION. CONTINUED PRODUCT IMPROVEMENTS MAKE SPECIFICATIONS AND MEASUREMENTS SUBJECT TO CHANGE WITHOUT NOTICE.

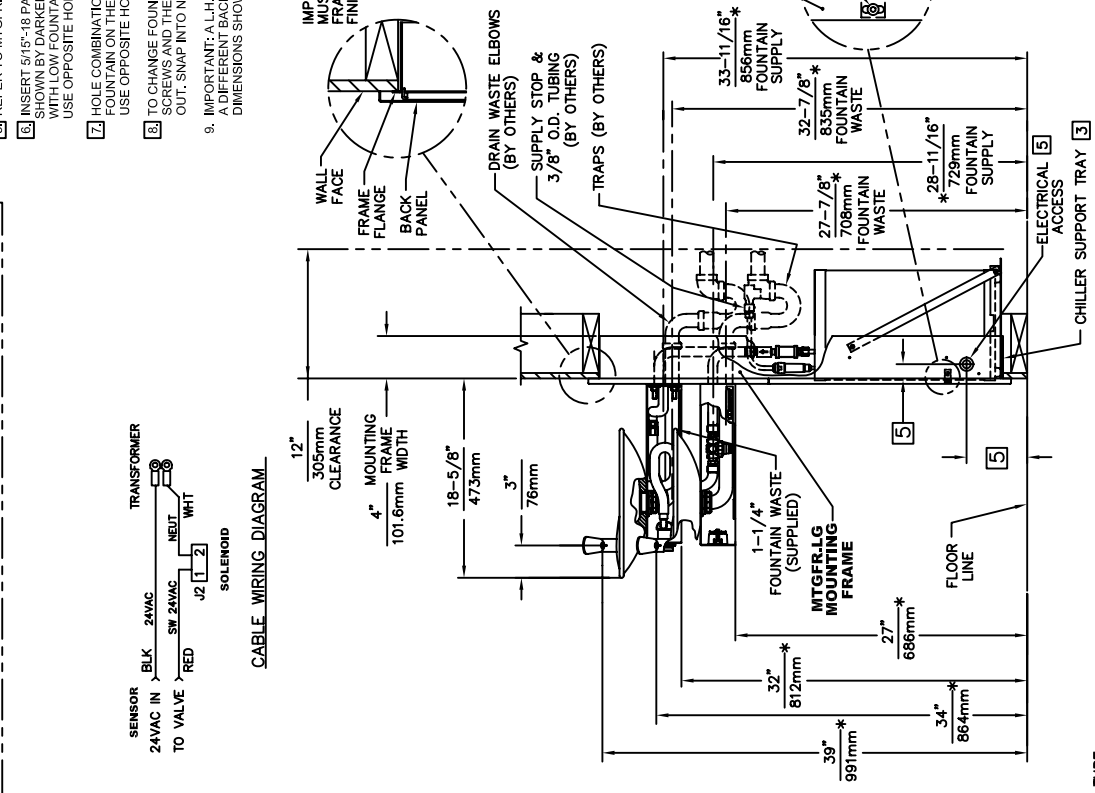


NOTES:

1. HOLD ROUGH-IN DIMENSIONS $\pm 1/8"$ (3.2mm).
2. WHEN INSTALLING THIS UNIT, LOCAL STATE OR FEDERAL CODES SHOULD BE ADHERED TO. FOR INSTALLATION DIMENSIONS (LOCATIONS), WASTE AND SUPPLY REQUIREMENTS OTHER THAN SHOWN, DIMENSIONS MARKED (*) MUST BE ADJUSTED ACCORDINGLY.
3. ALIGN HOLES IN CHILLER SUPPORT TRAY WITH HOLES IN FRAME AND FASTEN WITH #10 SHEET METAL SCREWS.
4. REFER TO 587AVK8574 OPERATION AND MAINTENANCE MANUAL FOR PUSH BUTTON AND VALVE INSTALLATION/MAINTENANCE INSTRUCTIONS.
5. REFER TO MTGFR.LG INSTALLATION DRAWING FOR ROUGH-IN DIMENSIONS.
6. INSERT 5/16"-18 PANEL INSERTS FROM OPPOSITE SIDE AT LOCATIONS SHOWN BY DARKENED HOLES. HOLE COMBINATIONS SHOWN ARE FOR USE WITH LOW FOUNTAIN ON THE RIGHT AND HI FOUNTAIN ON THE LEFT. USE OPPOSITE HOLES FOR HI ON RIGHT AND LOW ON LEFT.
7. HOLE COMBINATION SHOWN BELOW IS FOR USE WITH LOW FOUNTAIN ON THE RIGHT AND HIGH FOUNTAIN ON THE LEFT. USE OPPOSITE HOLES FOR HIGH ON RIGHT AND LOW ON LEFT.
8. TO CHANGE FOUNTAIN MTG. SCREW LOCATIONS: FIRST REMOVE SCREWS AND THEN SQUEEZE CLIPS ON NUT RETAINER TO POP OUT. SNAP INTO NEW POSITIONS AND RE-ASSEMBLE SCREWS.
9. IMPORTANT: A L.H. LOW (OPTIONAL) CONFIGURATION WILL REQUIRE A DIFFERENT BACK PANEL AND THE WASTE AND SUPPLY DIMENSIONS SHOWN (*) MUST BE REVERSED.



IMPORTANT: MOUNTING FRAME MUST BE INSTALLED SO THAT FRAME FLANGE BUTTS AGAINST FINISHED WALL FACE.



Haws Corporation

INFO FAX : 1-888-FAX-HAWS (1-888-329-4297)
 1455 Kleppe Ln, Sparks NV, 89431
 Phone: 775-359-4712 Fax: 775-359-7424
 Haws Ag Bachweg 3 CH-3401 Burgdorf Switzerland
 Haws Mfg Pte Ltd 74 Sungai Kadut Loop Singapore 729531
 e-mail: Haws@hawsco.com website: www.hawsco.com

REV. NO. 1, REVISED PER BY: PAK, DATE: 10/07/97
 DRAWING NO. H1011.8HO
 PART NUMBER: 0002080250.D
 DRAWING NUMBER: 13146A00
 SCALE: 1:18
 DRAWING TYPE: INSTALLATION/FABRACK
 SIZE: A SHT. 1 OF 1

©2006 Haws Corporation - All Rights Reserved HAWS® and other trademarks used in these materials are the exclusive property of Haws Corporation.