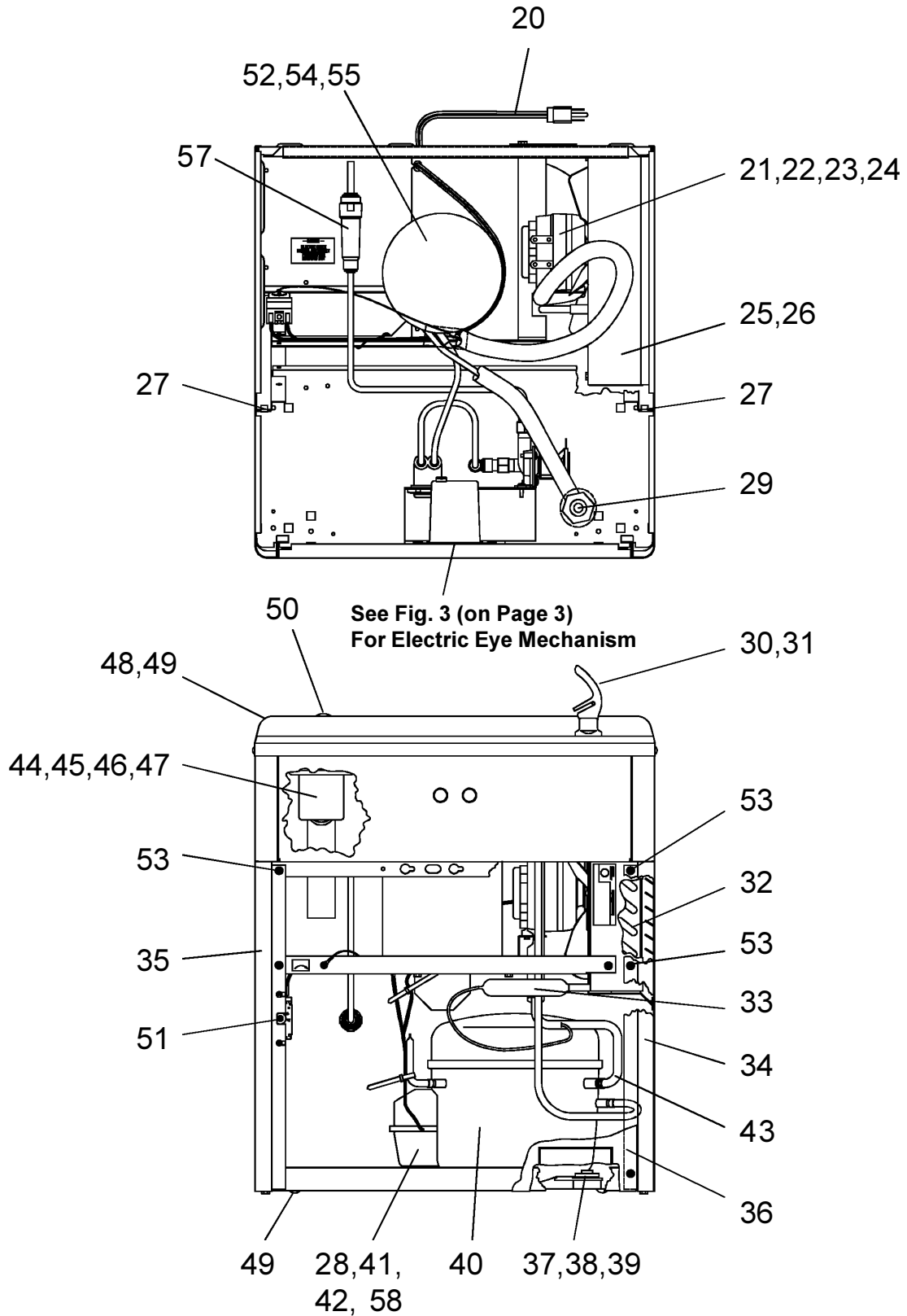


HAC8EE-Q*1B HAC8EE-Q*2B
HALSEY TAYLOR OWNERS MANUAL
 USES HFC-134A REFRIGERANT



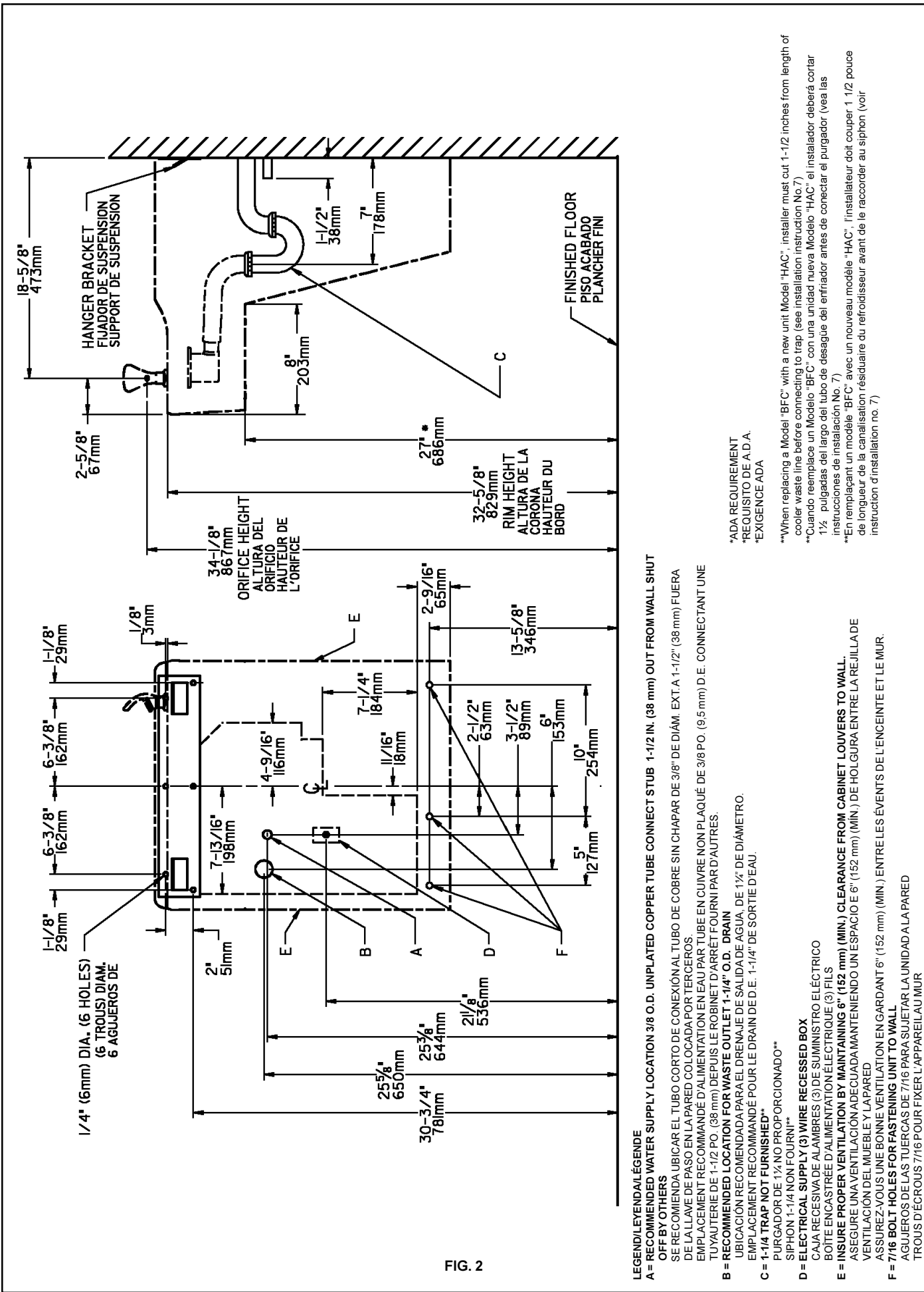


FIG. 2

LEGEND/LEYENDA/LÉGENDE
A = RECOMMENDED WATER SUPPLY LOCATION 3/8 O.D. UNPLATED COPPER TUBE CONNECT STUB 1-1/2 IN. (38 mm) OUT FROM WALL SHUT OFF BY OTHERS

B = RECOMMENDED LOCATION FOR WASTE OUTLET 1-1/4" O.D. DRAIN
 SE RECOMIENDA UBICAR EL TUBO CORTO DE CONEXIÓN AL TUBO DE COBRE SIN CHAPAR DE 3/8" DE DIÁM. EXT. A 1-1/2" (38 mm) FUERA DE LA LLAVE DE PASO EN LA PARED COLOCADA POR TERCEROS.
 EMPLACEMENT RECOMMANDÉ D'ALIMENTATION EN EAU PAR TUBE EN CUIVRE NON PLAQUÉ DE 3/8 PO. (9.5 mm) D.E. CONNECTANT UNE TUYAUTERIE DE 1-1/2 PO. (38 mm) DEPUIS LE ROBINET D'ARRÊT FOURNI PAR D'AUTRES.

C = 1-1/4" TRAP NOT FURNISHED*
 UBICACION RECOMENDADA PARA EL DRENAJE DE SALIDA DE AGUA, DE 1 1/4" DE DIÁMETRO.
 EMPLACEMENT RECOMMANDÉ POUR LE DRAIN DE D.E. 1-1/4" DE SORTIE D'EAU.

D = ELECTRICAL SUPPLY (3) WIRE RECESSED BOX
 PURGADOR DE 1 1/4" NO PROPORCIONADO**
 SIPHON 1-1/4" NON FOURNI**

E = INSURE PROPER VENTILATION BY MAINTAINING 6" (152 mm) (MIN.) CLEARANCE FROM CABINET LOUVERS TO WALL.
 CAJA RECESIVA DE ALAMBRES (3) DE SUMINISTRO ELÉCTRICO
 BOÎTE ENCASTRÉE D'ALIMENTATION ÉLECTRIQUE (3) FILS

F = 7/16 BOLT HOLES FOR FASTENING UNIT TO WALL
 ASEGURE UNA VENTILACION ADECUADA MANTENIENDO UN ESPACIO E 6" (152 mm) (MIN.) DE HOLLGURA ENTRE LA REJILLA DE VENTILACION DEL MUEBLE Y LA PARED
 ASSUREZ-VOUS UNE BONNE VENTILATION EN GARDANT 6" (152 mm) (MIN.) ENTRE LES ÉVÉNENTS DE L'ENCEINTE ET LE MUR.

AGUJEROS DE LAS TUERCAS DE 7/16 PARA SUJETAR LA UNIDAD A LA PARED
 TROUS DE CROUS 7/16 POUR FIXER L'APPAREIL AU MUR

*ADA REQUIREMENT
 *REQUISITO DE A.D.A.
 *EXIGENCE ADA

**When replacing a Model "BFC" with a new unit Model "HAC", installer must cut 1-1/2 inches from length of cooler waste line before connecting to trap (see installation instruction No. 7)

**Cuando reemplaza un Modelo "BFC" con una unidad nueva Modelo "HAC" el instalador deberá cortar 1 1/2 pulgadas del largo del tubo de desagüe del enfriador antes de conectar el purgador (vea las instrucciones de instalación No. 7)

**En remplaçant un modèle "BFC" avec un nouveau modèle "HAC", l'installateur doit couper 1 1/2 pouce de longueur de la canalisation résiduaire du refroidisseur avant de le raccorder au siphon (voir instruction d'installation no. 7)

PUSH BAR MECHANISM

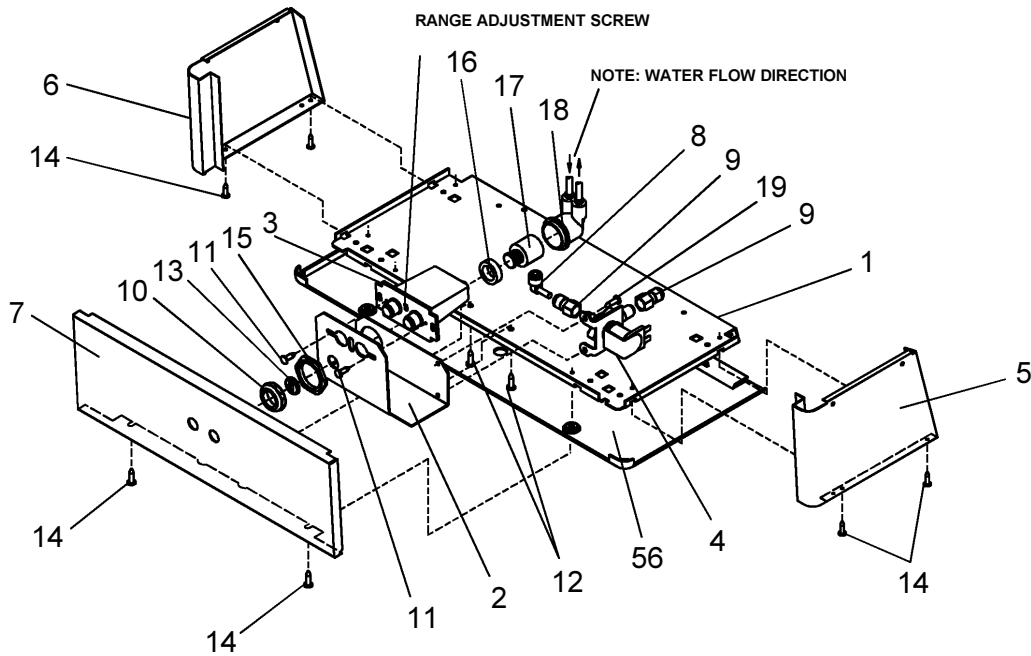


FIG. 3

Sensor Control: If sensor fails to operate valve mechanism or operates erratically, check the following.

- Ensure there are no obstructions within a 40-inch radius from front of cooler.
- Check wire connections at solenoid valve and sensor.
CAUTION: Make sure unit is unplugged before checking any wiring.
- Ensure proper operation of solenoid valve. If there is an audible clicking sound yet no water flows, look for an obstruction in the valve itself or elsewhere in the water supply line.

Sensor Range Adjustment: The electronic sensor used in this cooler is factory pre-set for a "visual" range of 36 inches. If actual range varies greatly from this, or a different setting is desired, follow the range adjustment procedure below:

- Remove front panel of cooler.
- Using a small tip screwdriver, rotate range adjustment screw clockwise to increase range and counter-clockwise to decrease range. (See Fig. 3).
CAUTION: Complete range of sensor (24-48 inches) is only one turn of the adjusting screw.
- Replace the front panel.

**IMPORTANT
ALL SERVICE TO BE PERFORMED BY AN
AUTHORIZED SERVICE PERSON**

CAUTION: Cleaning of Aztec Gold Models requires special care. Outer surfaces must be cleaned with a mild detergent or mixture of vinegar and water only, rinsed and wiped dry. Abrasive and acidic cleaners may eventually damage the Aztec Gold finish.

**HANGER BRACKETS & TRAP
INSTALLATION**

- Remove hanger bracket fastened to back of cooler by removing one (1) screw.
 - Mount the hanger bracket and trap as shown in Figure 2.
- NOTE:** Hanger Bracket **MUST** be supported securely. Add fixture support carrier if wall will not provide adequate support.

IMPORTANT:

- 7 in. (178mm) dimension from wall to centerline of trap must be maintained for proper fit.
 - Anchor hanger securely to wall using all six (6) 1/4 in. dia. mounting holes.
- Install straight valve for 3/8" O.D. tube.

INSTALLATION OF COOLER

- Hang the cooler on the hanger bracket. Be certain the hanger bracket is engaged properly in the slots on the cooler back as shown in Fig. 4.
- Loosen the two (2) screws holding the lower front panel at the bottom of cooler base and two (2) screws at the top. Remove the front panel and set aside.
- Connect water inlet line--See Note 4 of General Instructions.
- Remove the slip nut and gasket from the trap and install them on the cooler waste line making sure that the end of the waste line fits into the trap. Assemble the slip nut and gasket to the trap and tighten securely.

START UP

Also See General Instructions

- Stream height is factory set at 45-50 PSI. If supply pressure varies greatly from this, readjust stream height to approximately 1-1/2" (38mm) above the bubbler guard by turning adjustment screw, accessible by removing front panel, Item No. 7 (see Fig. 3 & 5).
- Replace the front panel and secure by retightening four (4) screws.
- If a taste, odor or sediment problem is prevalent, try installing our water filter module, part no 73-15242-51-550

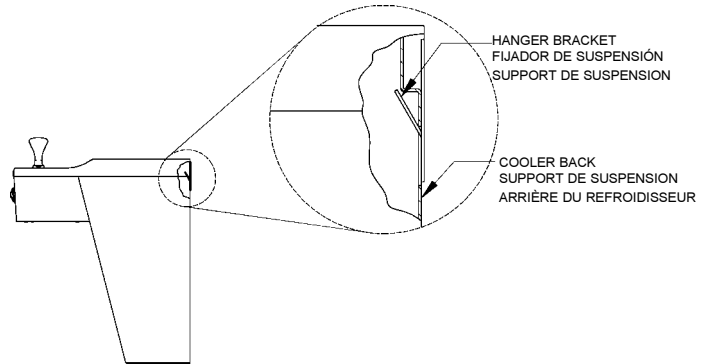
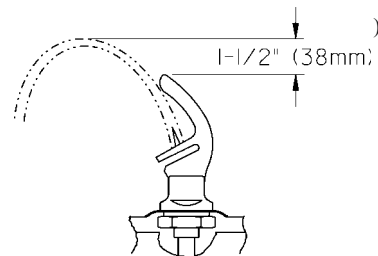


FIG. 4

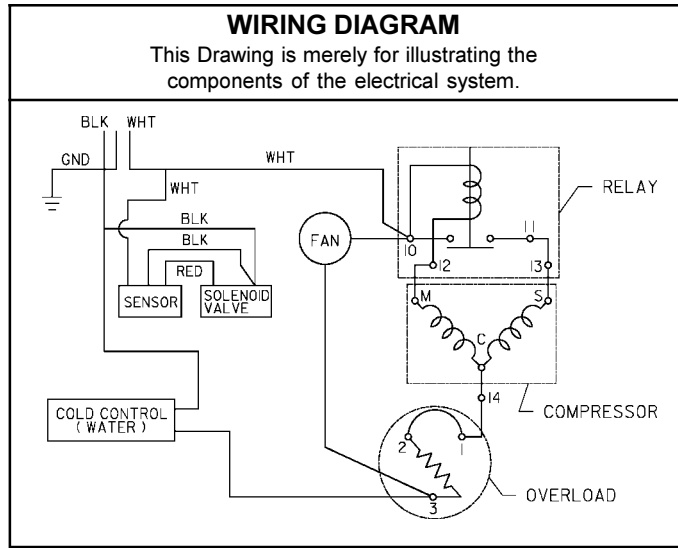


CORRECT STREAM HEIGHT

FIG. 5

ITEMIZED PARTS LIST

ITEM NO	PART NO	DESCRIPTION
1	22897C	Panel - Bottom Dispenser
2	26729C	Bracket - Valve Mounting
3	31516C	Sensor - Clear (115V)
4	35783C	Sensor - Clear (230V)
4	31272C	Solenoid Valve (115V)
4	35784C	Solenoid Valve (230V)
5	See Color Table	Panel - Right Side
6	See Color Table	Panel - Left Side
7	See Color Table	Panel - Front
8	70817C	Elbow 1/4 Stem x 1/4 O.D.
9	75507C	Fitting 1/4 NPTF x 1/4 O.D.
10	40116C	Nut - Cover Unplated
11	70644C	Screw #6-32 x 1/2" Lg. PHMS
12	75497C	Screw #10 x 1/2" Lg. PHSM
13	70254C	Clip
14	70864C	Screw #8 x 5/8" Lg. Torx/Slot
15	40045C	Hex Nut
16	15005C	Retaining Nut
17	61314C	Regulator
18	50986C	Holder - Regulator
19	70002C	Screw #10 x 1/2" Lg. HHSM
20	31483C	Power Cord
21, 21a	30699C	Fan Blade
21b	30664C	Fan Blade
22	70018C	Hex Nut - Fan Blade
23, 23a	31490C	Fan Motor
23b	31491C	Fan Motor
24	70009C	Screw - (Fan Motor)
25	22899C	Shroud - Fan
26	38417001	Screw - #8-18 x 3/8" Lg. (Fan Shroud)
27	75524C	Clip (Front and Rear Panels)
28	194243901550	Cover-Electric Shield
29	15009C	Nipple - Bubbler
30	51544C	Bubbler - Chrome
	45396C	Bubbler - Aztec Gold
31	100322740560	Gasket - Bubbler (upper and lower)
32	62152C	Condenser
33	66202C	Drier
34	See Color Table	Panel - Right Rear
35	See Color Table	Panel - Left Rear
36	See Color Table	Panel - Front Lower
37	101516143550	Stud - Compressor Mtg.
38	100806740570	Grommet - Compressor Mtg.
39	19037000	Clip - Compressor Mtg.
40*	35767C	Compressor Serv. Pak FF7.5HBK
40a*	35761C	Compressor Serv. Pak FF6HBK
40b*	35807C	Compressor Serv. Pak AE3425Y
40c*	35947C	Compressor Serv. Pak EM65
41	31025C	Overload/Relay 1.350.358
41a	31026C	Overload/Relay 1.350.356
41b	35801C	Relay 9660-042-166
41b	35795C	Overload MRP26ALL
41c	31039C	Overload/Relay P600B/427NFBYY
42, 42a	35766C	Cover - Relay
42b	30181C	Cover - Terminal
42b	30180C	Overload Spring
42b	30182C	Bale Strap
42c	35768C	Cover - Relay
43, 43b	66214C	Heat Exchanger
43a	66215C	Heat Exchanger
43c	66386C	Heat Exchanger
44	40590C	Waste Line Assembly
45	100147140560	Gasket - Drain
46	102639931640	Drain Plug - Chrome
	45413C	Drain Plug - Aztec Gold
47	160270508640	Strainer Plate - Chrome
	45400C	Strainer Plate - Aztec Gold
48	22893C	Basin - Stainless Steel
	27594C	Basin - Aztec Gold
49	112627543890	Screw - Basin Mtg. (Stainless Steel)
	75573C	Screw - Basin Mtg. (Aztec Gold)
50	100687608640	Plug Button - Chrome
	75571C	Plug Button - Aztec Gold
51	31513C	Cold Control
52	62220C	Evaporator Assembly
53	70002C	Screw - #10 x 1/2" Lg. HHSM
54	70767C	Clip - Evaporator Retaining
55	70772C	Plug - Drain
56	See Color Table	Cover - Dispenser Bottom
57	55996C	Strainer
58c	35935C	Capacitor - Run
NS	40060943730	Hanger Bracket



PARTS LIST 230V		
ITEM NO.	PART NO.	DESCRIPTION
23	31431C	Fan Motor
40*	35763C	Compressor Serv. Pak
41	31024C	Overload/Relay
42	35768C	Cover-Relay

COLOR TABLE				
PANEL COLOR	Item No. 5 Part No.	Item No. 6 Part No.	Item No. 7 Part No.	Item No. 34 Part No.
Almond Vinyl	23016C	23009C	23162C	22968C
Aztec Gold	27503C	27433C	27592C	27491C
Platinum Vinyl	22820C	22812C	23135C	22860C
Stainless Steel	22822C	22814C	23137C	22862C
Slate Vinyl	22824C	22816C	23139C	22864C

COLOR TABLE			
PANEL COLOR	Item No. 35 Part No.	Item No. 36 Part No.	Item No. 56 Part No.
Almond Vinyl	22961C	22954C	55931C
Aztec Gold	27487C	27499C	55930C
Platinum Vinyl	22852C	22844C	55931C
Stainless Steel	22854C	22955C	55931C
Slate Vinyl	22856C	22848C	55931C

*REPLACE WITH SAME COMPRESSOR USED IN ORIGINAL ASSEMBLY.
 NOTE: All correspondence pertaining to any of the above water coolers or orders for repair parts MUST include Model No. and Serial No. of cooler, name and part number of replacement part.

Halsey Taylor

2222 CAMDEN COURT
 OAK BROOK, IL 60523
 630.574.3500