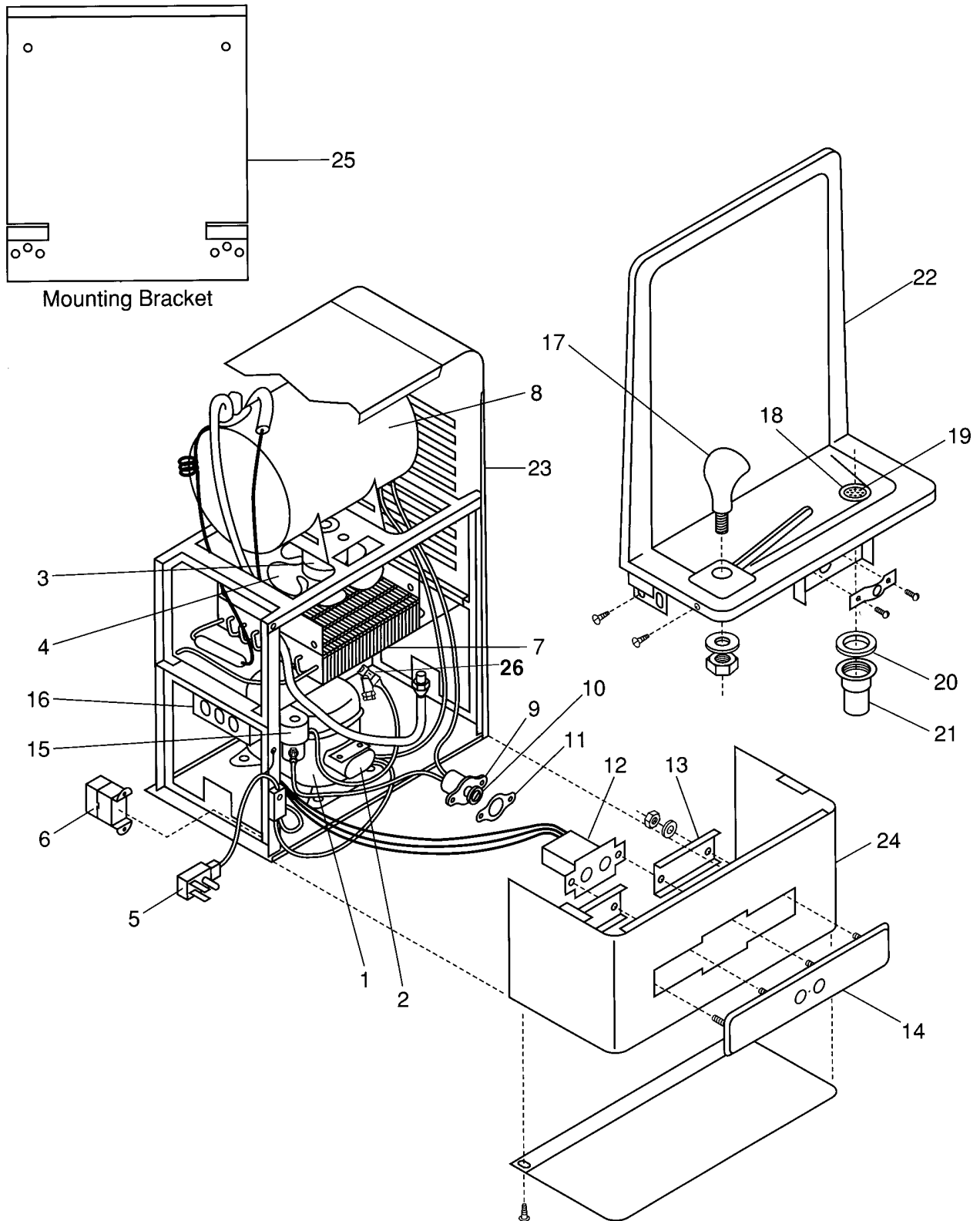


WALL MOUNTED WATER COOLER

HCWC-8HF



Parts List for Water Cooler Model: HCWC-8HF

ITEM	PART NUMBER	DESCRIPTION
1	AA00005-SP	Compressor R134A 115V
1	AA00027-SP	Compressor 115V (uses Spade Connections)
2	AA00005-T1	Overload MRP26All-34
	AA00005-T2	Relay 9660-040-166
	C026403-10	Relay MRP26ALL-69 (uses Spade Connections)
	C026411-06	Overload 9660-042-166 (uses Spade Connections)
3	B153475	Fan Motor 5 Watt (Eyelet)
	D036186-02	Fan Motor (uses Spade Connections)
4	C026053	Fan Blade
5	B153391	Wiring Harness (eyelet)
	C026392-01	Wiring Harness (uses Spade Connections)
	C026382-04	16" Wire Assembly
6	A016241	Cold Thermostat (eyelet)
	C026376-03	Cold Thermostat (uses Spade Connections)
7	C026398	Condenser
8	C025920-SP	Evaporator
9	B154078-SP	Water Control Assembly
10	B153468-01	Cartridge
11	A015240	Fibre Washer
12	A020143	Sensor
13	B154298	Sensor Bracket
14	B154299	Sensor Plate
15	A020598	Solenoid Valve
16	10578	Junction Box Assembly
17	C026293-SP	Cobra Spout (metal)
	11432	Safety-Gard™ Spout Assy (Optional)
18	A016880	Drain Fitting
19	A016876	Drain Grid
20	A015982	Drain Washer
21	A017354	Tail Piece
22	D035610	Basin
23	C025872-31	Wrapper Assembly Stainless Steel
	C025872-19	Wrapper Assembly Pewter
24	10556-19-SP	Apron with Sensor Pewter
	10556-31-SP	Apron with Sensor Stainless Steel
25	A019429	Mounting Bracket
26	A020938-01	"Y" Strainer

NOTE: Contact service department for information on compressors not shown on this page. This sheet cancels all previous lists for this model.