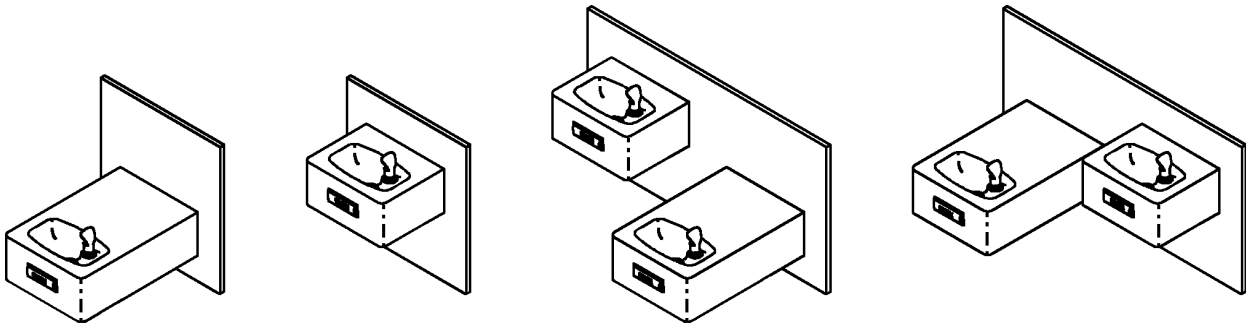


Halsey Taylor Owners Manual

Wall Mount Steel Fountains



HT-EBP

HT-SBP

HT-SEBP

HT-ESBP

INSTALLER

These series fountains are among the easiest to install Fountains on the market today. To assure you install these models easily and correctly, **PLEASE READ THESE SIMPLE INSTRUCTIONS BEFORE STARTING THE INSTALLATION. CHECK YOUR INSTALLATION FOR COMPLIANCE WITH PLUMBING, ELECTRICAL, AND OTHER APPLICABLE CODES.** After installation, leave these instructions with the Fountain for future reference.

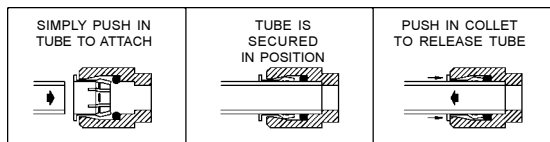
IMPORTANT

ALL SERVICE TO BE PERFORMED BY AN AUTHORIZED SERVICE PERSON

IMPORTANT! INSTALLER PLEASE NOTE.

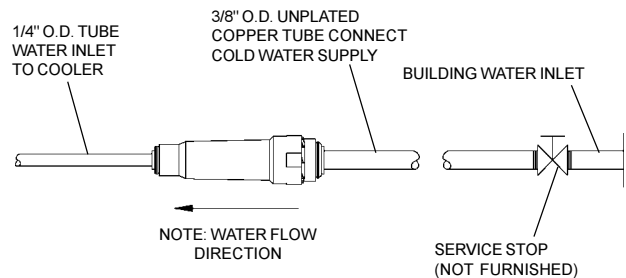
THE GROUNDING OF ELECTRICAL EQUIPMENT SUCH AS TELEPHONE, COMPUTERS, ETC. TO WATER LINES IS A COMMON PROCEDURE. THIS GROUNDING MAY BE IN THE BUILDING OR MAY OCCUR AWAY FROM THE BUILDING. THIS GROUNDING CAN CAUSE ELECTRICAL FEEDBACK INTO A FOUNTAIN, CREATING AN ELECTROLYSIS WHICH CAUSES A METALLIC TASTE OR AN INCREASE IN THE METAL CONTENT OF THE WATER. THIS CONDITION IS AVOIDABLE BY USING THE PROPER MATERIALS AS INDICATED. ANY DRAIN FITTINGS PROVIDED BY THE INSTALLER SHOULD BE MADE OF PLASTIC TO ELECTRICALLY ISOLATE THE FOUNTAIN FROM THE BUILDING PLUMBING SYSTEM.

OPERATION OF QUICK CONNECT FITTINGS



PUSHING TUBE IN BEFORE PULLING IT OUT HELPS TO RELEASE TUBE

FIG. 1



NOTE: WATER FLOW DIRECTION

FIG. 2

HT - EBP/SBP/SEBP/ESBP COOLER INSTALLATION

- 1. Wall should already be framed for the fountain** using the rough-in dimensions shown in Fig's. 3,4,5, or 6. Shown dimensions pertain to installation location (framing must support up to 150 lbs. weight for single fountain and 300 lbs. for dual fountains). These dimensions are required for compliance with ANSI Standard A117.0.
- 2. Attach wall plate assembly to wall** as shown in Fig's. 3,4,5, or 6 using 5/16" x 2" long bolts and flat washers (not provided). Tighten securely. (Fastener must match wall type, i.e. lag screws for wood studs, bolts and anchors for masonry construction.)
- 3. Install back panel.** Place the upper edge of the panel above mounting plate on the wall. Slide the panel down until it engages the mounting plate. Be sure back panel is firmly engaged before releasing it.
- 4. Install rough-in plumbing** as shown in Fig's. 3,4,5, or 6. Waste line should extend a minimum of 2" (51mm) thru the back panel. Run supply water inlet line thru back panel. Install a service stop (not provided). Turn on supply water and flush thoroughly.
- 5. Remove bottom access panel** from fountain basin and save the screws. Install the fountain to the back panel and wall using (4) 5/16 " x 3/4" long bolts and washers (provided) thru holes in back panel. Tighten securely.
- 6. Cut waste tube to required length** using plumbing hardware and trap (not provided) as a guide. Install hardware and trap. Tighten securely.
- 7. Make water supply connections** from service stop to the fountain strainer. Insert the water inlet line into the inlet side of strainer until it reaches a positive stop - about 3/4" (See Fig. 2). Turn on water supply and check for leaks. Newly installed water supply line should be insulated after leak check is completed. **DO NOT SOLDER TUBES INSERTED INTO THE STRAINER AS DAMAGE TO THE O-RINGS MAY RESULT.**
- 8. Check stream height from bubbler.** Stream height is factory set at 45-50 PSI. If supply pressure varies greatly from this, adjust the screw on regulator (item 13, on page 7). Clockwise adjustment will raise stream height and counter-clockwise will lower stream height. For best adjustment stream height should be approximately 1-1/2" (38mm) above the bubbler guard. (See Figure 8)
- 9. Water Valve Mechanism - ADJUSTMENT PROCEDURE:**
 - Turn adjustment screw (Item 7, page 7) counter-clockwise until water flow from bubbler starts
 - Turn adjustment screw clockwise until water flow stops, then turn an additional 1/2 turn
- 10. Replace bottom access panel** to fountain using the screws provided. Tighten securely.

HT - EBP

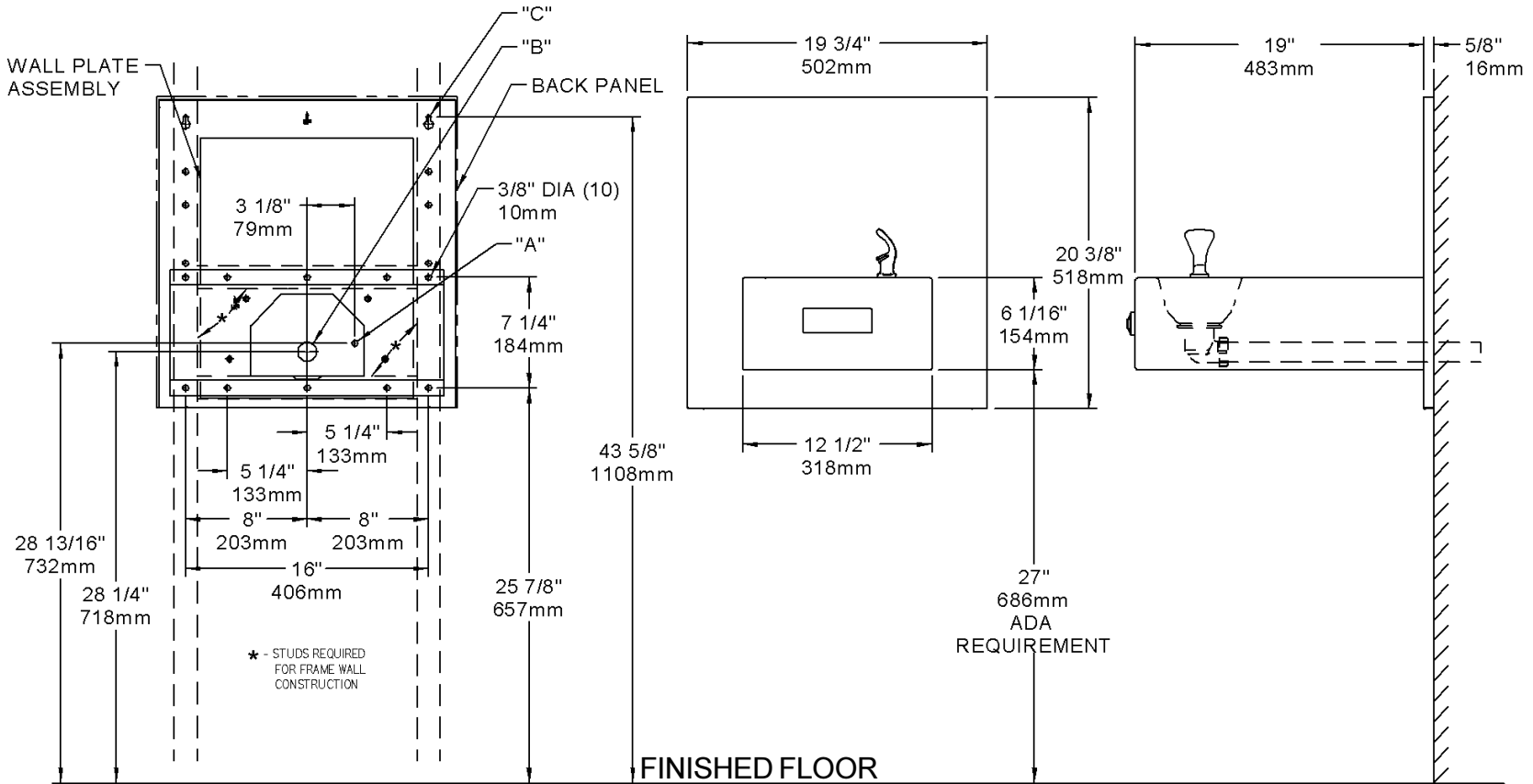
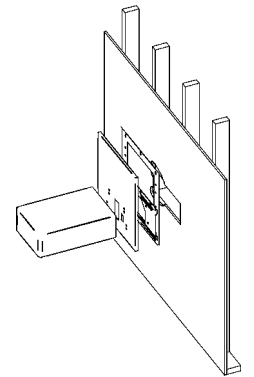


FIG. 3

LEGEND:

- A = 3/8" O.D. UNPLATED COPPER TUBE CONNECT (WATER SUPPLY)**
- B = 1-1/4" O.D. WASTE TUBE (ELBOW AND TRAP NOT PROVIDED)**
- C = 1/4" DIA. (6mm) HOLES FOR MOUNTING PLATE TO WALL**



HT-EBP*E, HT-SBP*E, HT-SEBP*K, HT-ESBP*K

HT - SBP

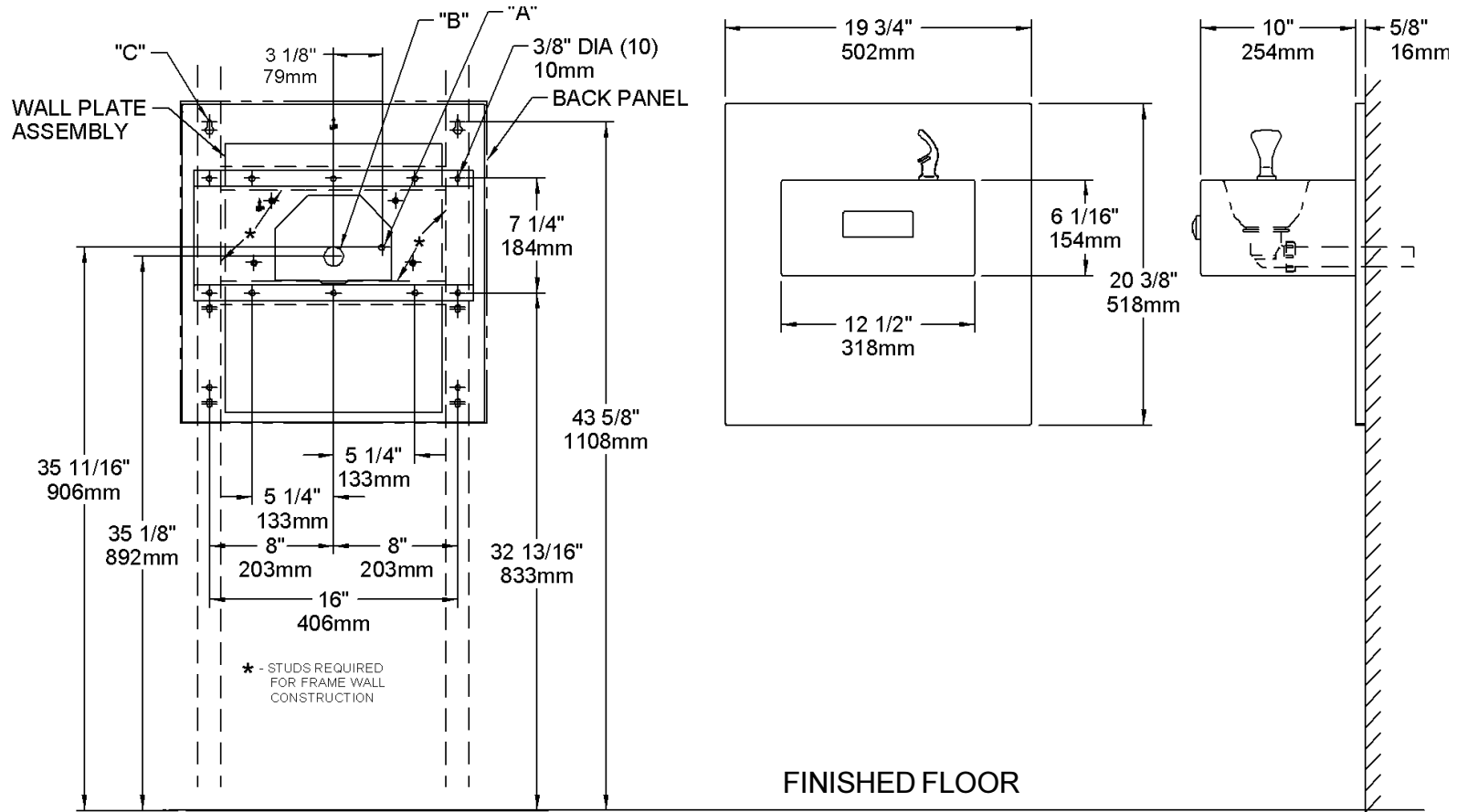


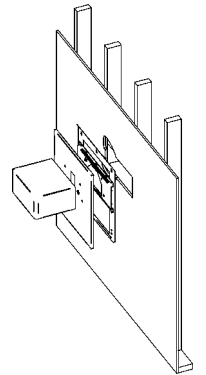
FIG. 4

LEGEND:

A = 3/8" O.D. UNPLATED COPPER TUBE CONNECT (WATER SUPPLY)

B = 1-1/4" O.D. WASTE TUBE (ELBOW AND TRAP NOT PROVIDED)

C = 1/4" DIA. (6mm) HOLES FOR MOUNTING PLATE TO WALL



HT - SEBP

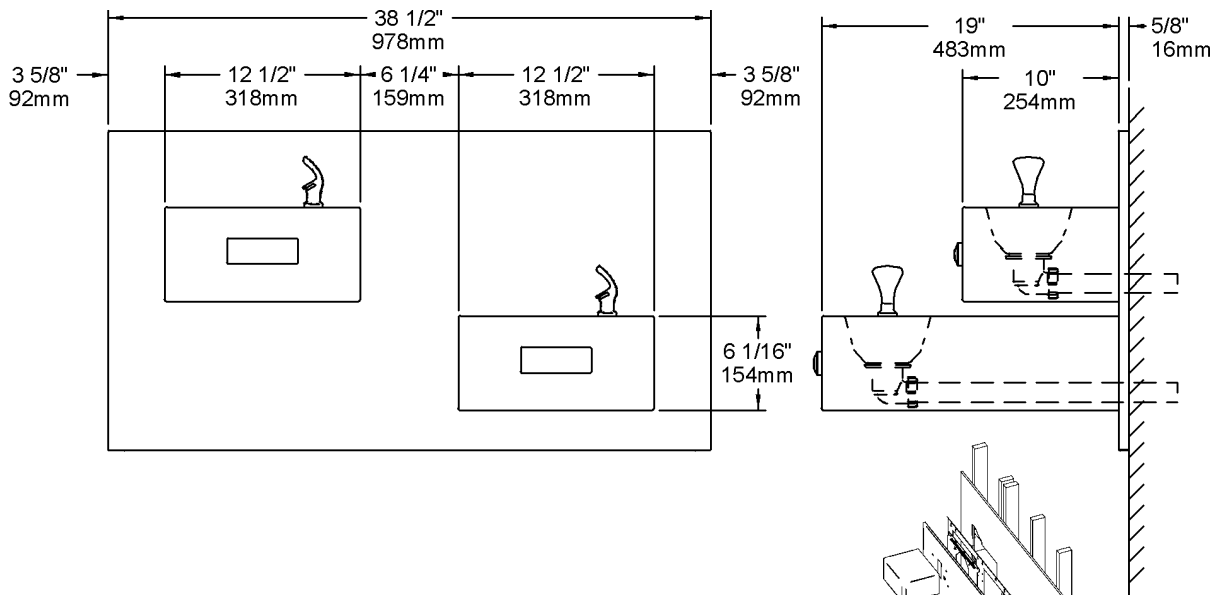
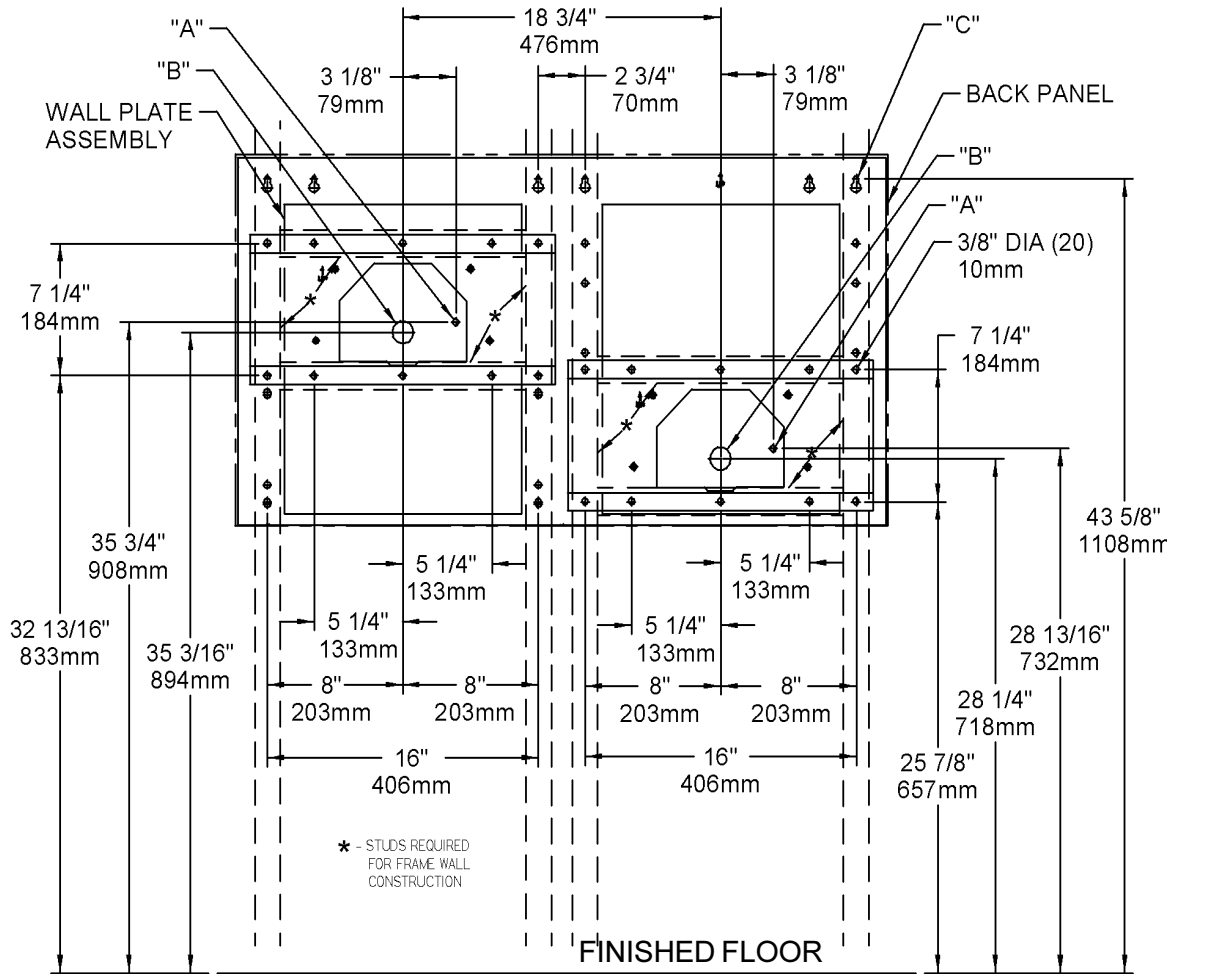
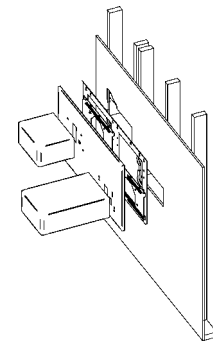


FIG. 5

LEGEND:

- A = 3/8" O.D. UNPLATED COPPER TUBE CONNECT (WATER SUPPLY)**
- B = 1-1/4" O.D. WASTE TUBE (ELBOW AND TRAP NOT PROVIDED)**
- C = 1/4" DIA. (6mm) HOLES FOR MOUNTING PLATE TO WALL**



HT - ESBP

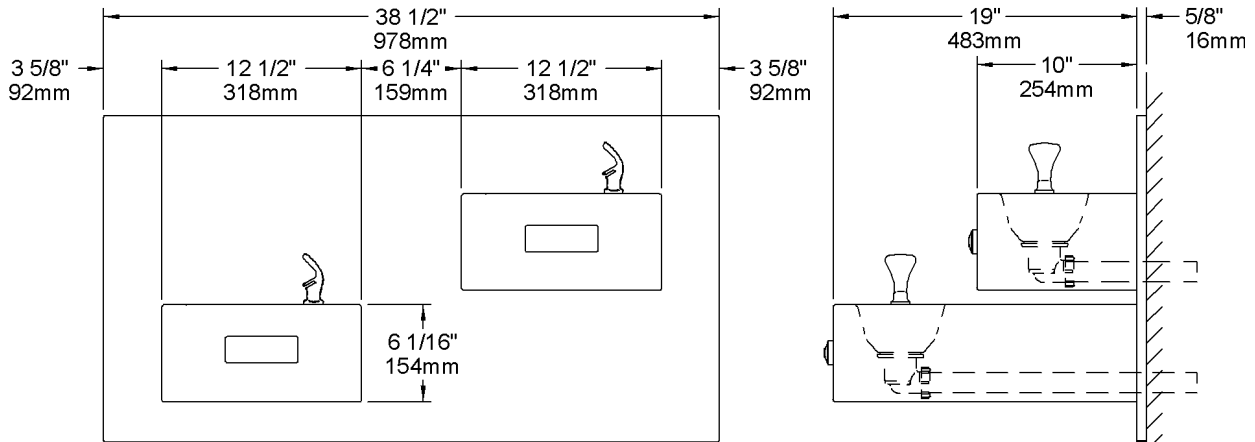
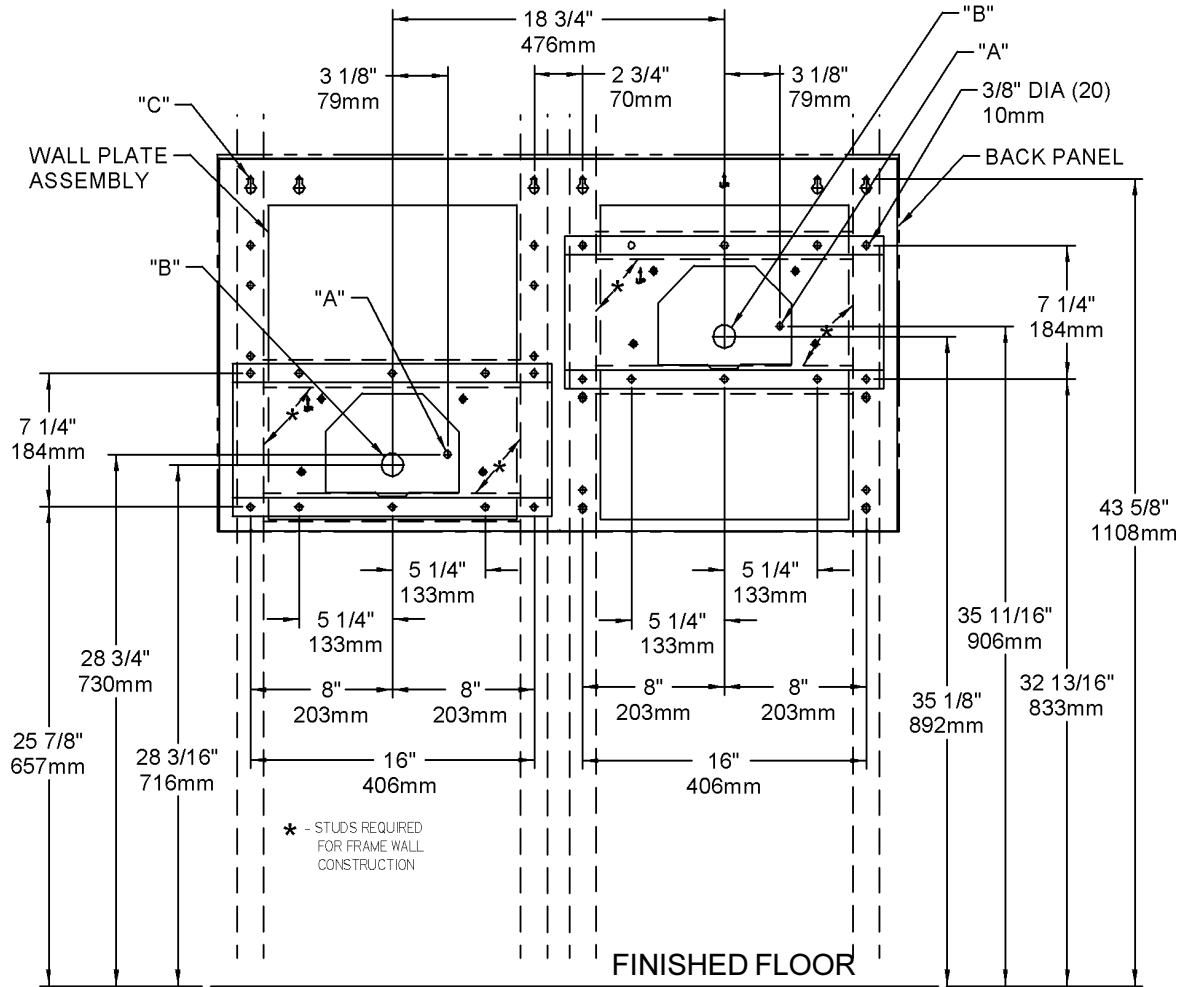
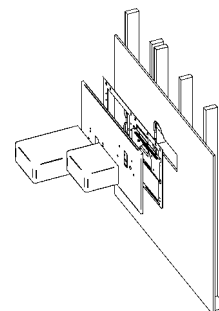


FIG. 6

LEGEND:

- A = 3/8" O.D. UNPLATED COPPER TUBE CONNECT (WATER SUPPLY)**
- B = 1-1/4" O.D. WASTE TUBE (ELBOW AND TRAP NOT PROVIDED)**
- C = 1/4" DIA. (6mm) HOLES FOR MOUNTING PLATE TO WALL**



PUSH BAR MECHANISM

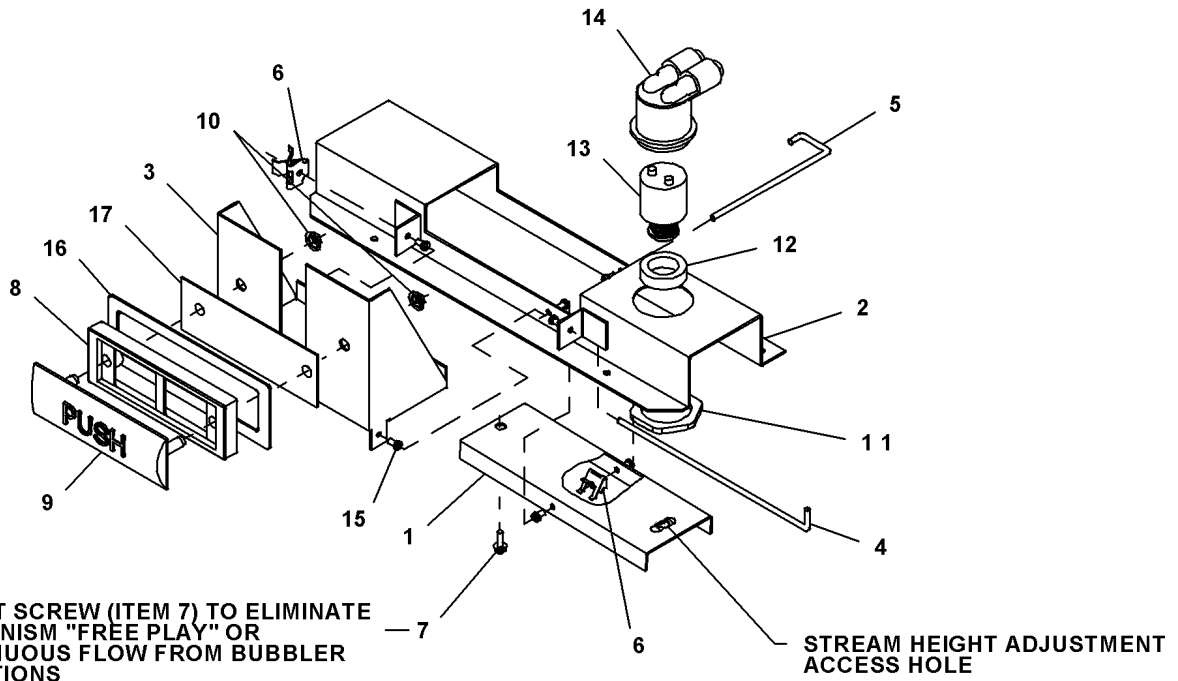


FIG. 7

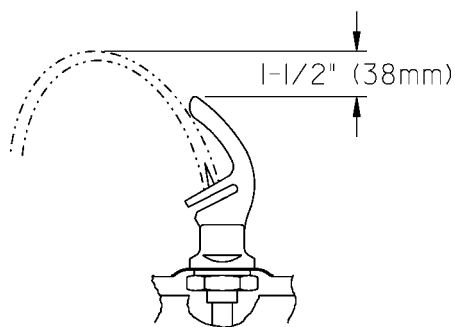


FIG. 8

ITEMIZED PARTS LIST

| ITEMNO. | PARTNO. | DESCRIPTION |
|---------|--------------|---------------------------|
| 1 | 26901C | Push Lever Assy |
| 2 | 26935C | Mounting Bracket Assy |
| 3 | 27237C | Bracket - Pushbar |
| 4 | 75517C | Lever Rod |
| 5 | 70378C | Pushbar Rod |
| 6 | 75555C | Spring Clip |
| 7 | 70856C | Screw - #10-24 x .38 PHMS |
| 8 | 55859C | Pushbar - Side & Front |
| 9 | 101514331640 | Pushbar Insert |
| 10 | 111411743620 | Nut - 1/4, Self Thread |
| 11 | 40045C | Regulator Hex Nut |
| 12 | 15005C | Regulator Retaining Nut |
| 13 | 61313C | Regulator |
| 14 | 50986C | Regulator Holder |
| 15 | 50198C | Snap Bushing |
| 16 | 55899C | Pad - Window Filler |
| 17 | 27073C | Backing Plate |

HT-EBP*E, HT-SBP*E, HT-SEBP*K, HT-ESBP*K

ITEMIZED PARTS LIST

| ITEM NO. | PART NO. | DESCRIPTION |
|----------|--------------|---------------------------------------|
| 1 | 51546C | Bubbler-Satin |
| | 45397C | Bubbler-Golden Bronzestone |
| 2 | 66318C | Tube Assy-Bubbler |
| 3 | 10080C | Nipple-Bubbler (Included w/Item No.2) |
| 4 | 100322740560 | Gasket-Bubbler (2-Req'd) |
| 5 | 160270508640 | Strainer Plate |
| | 410270508450 | Strainer Plate-Golden Bronzestone |
| 6 | 161637308640 | Drain Plug |
| | 411637308450 | Drain Plug-Golden Bronzestone |
| 7 | 100147140560 | Gasket-Drain |
| 8 | 66346C | Tube-Waste (HT-EBP) |
| | 66343C | Tube-Waste (HT-SBP) |
| 9 | 28316C | Basin-Stainless Steel (HT-EBP) |
| | 26869C | Basin-Golden Bronzestone (HT-EBP) |
| | 28317C | Basin-Stainless Steel (HT-SBP) |
| | 26871C | Basin-Golden Bronzestone (HT-SBP) |
| 10 | 23001C | Cover-Bottom (HT-EBP) |
| | 23002C | Cover-Bottom (HT-SBP) |
| 11 | 23189C | Panel-Stainless Steel (HT-EBP) |
| | 23190C | Panel-Golden Bronzestone (HT-EBP) |
| | 23187C | Panel-Stainless Steel (HT-SBP) |
| | 23188C | Panel-Golden Bronzestone (HT-SBP) |
| | 27043C | Panel-Stainless Steel (HT-SEBP) |
| | 27048C | Panel-Golden Bronzestone (HT-SEBP) |
| | 27261C | Panel-Stainless Steel (HT-ESBP) |
| | 27262C | Panel-Golden Bronzestone (HT-ESBP) |
| 12 | 55884C | Elbow-Drain |
| 13 | 75588C | Nut 1-1/4 Slip Joint |
| 14 | 28158C | Wall Plate Assembly - HT-SBP |
| | 28172C | Wall Plate Assembly - HT-EBP |
| | 28174C | Wall Plate Assembly - HT-SEBP |
| | 28173C | Wall Plate Assembly - HT-ESBP |
| 15 | 75589C | Gasket |
| NS | 70055C | Nut - Speed |
| NS | 55996C | Strainer (See Page 1, Fig. 2) |
| NS | 75541C | Washer-Flat .339/.359ID Steel |
| NS | 111577243890 | Screw-Mach 5/16-18 x 3/4 |
| NS | 112627543890 | Screw 10-24 x 1/2 PHTC |

TROUBLE SHOOTING & MAINTENANCE

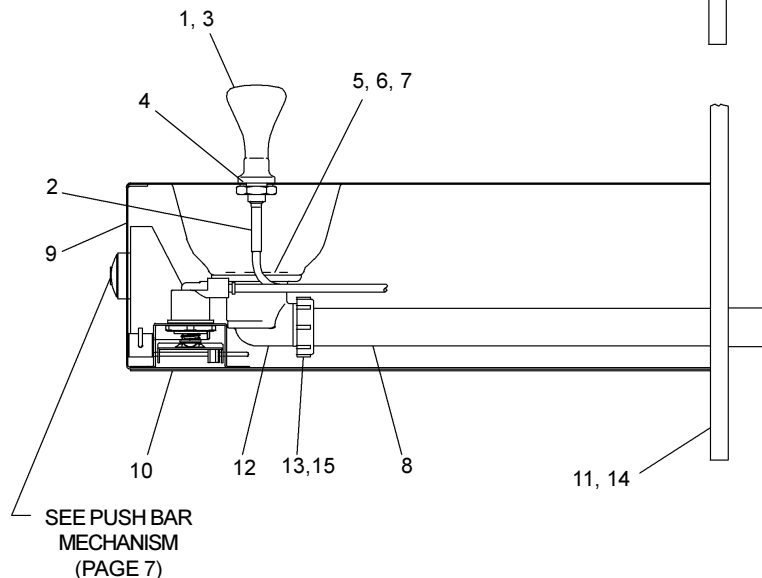
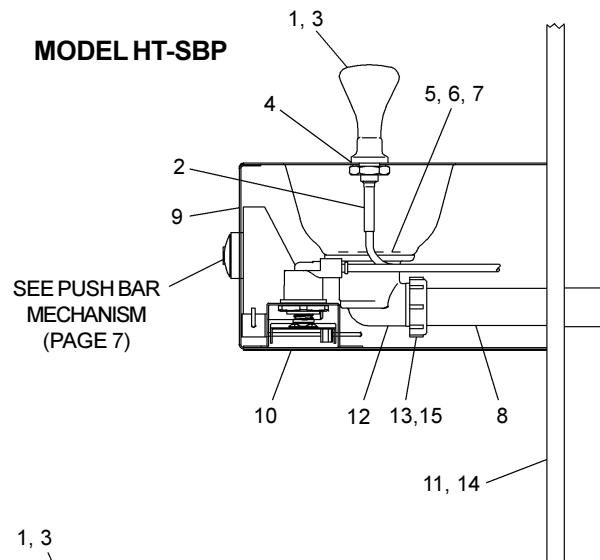
Orifice Assy: Mineral deposits on orifice can cause water flow to spurt or not regulate. Mineral deposits may be removed from the orifice with a small round file not over 1/8" diameter or small diameter wire. **CAUTION: DO NOT** file or cut orifice material.

Stream Regulator: If orifice is clean, regulate flow as in "START UP" instructions on page 2. If replacement is necessary, see parts list for correct regulator part number.

Actuation of Quick Connect Water Fittings: Cooler is provided with lead-free connectors which utilize an o-ring water seal. To remove tubing from the fitting, relieve water pressure, push in on the gray collar while pulling on the tubing.(see Fig.1) To insert tubing, push tube straight into fitting until it reaches a positive stop, approximately 3/4".

CAUTION: Cleaning of Bronzestone Models requires special care. Outer surfaces must be cleaned with mild detergent or mixture of vinegar and water only, rinsed and wiped dry. Abrasive and acidic cleaners may eventually damage the Bronzestone finish.

MODEL HT-SBP



Halsey Taylor
 2222 CAMDEN COURT
 OAK BROOK, IL 60523

PRINTED IN U.S.A.