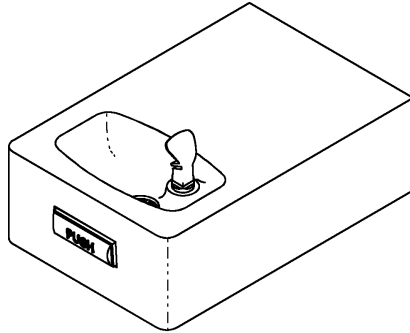
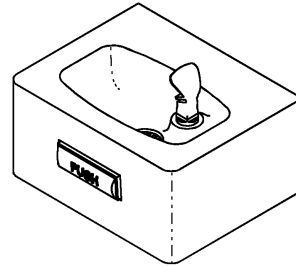


# Halsey Taylor Owners Manual

## Non-Refrigerated Fountains



HT - E



HT - S

### Installer

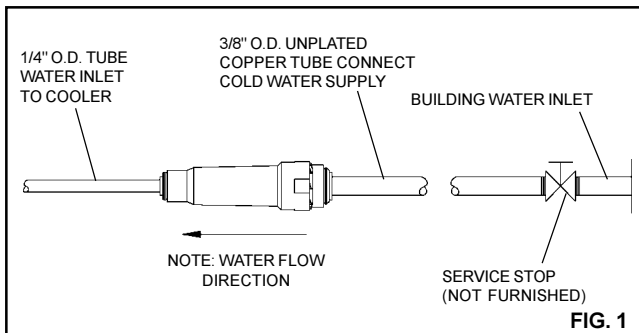
To assure you install this model easily and correctly, PLEASE READ THESE SIMPLE INSTRUCTIONS BEFORE STARTING THE INSTALLATION. CHECK YOUR INSTALLATION FOR COMPLIANCE WITH PLUMBING, ELECTRICAL AND OTHER APPLICABLE CODES. After installation, leave these instructions inside the fountain for future reference.

### IMPORTANT

ALL SERVICE TO BE PERFORMED BY AN AUTHORIZED SERVICE PERSON

### IMPORTANT! INSTALLER PLEASE NOTE.

THE GROUNDING OF ELECTRICAL EQUIPMENT SUCH AS TELEPHONE, COMPUTERS, ETC. TO WATER LINES IS A COMMON PROCEDURE. THIS GROUNDING MAY BE IN THE BUILDING OR MAY OCCUR AWAY FROM THE BUILDING. THIS GROUNDING CAN CAUSE ELECTRICAL FEEDBACK INTO A FOUNTAIN, CREATING AN ELECTROLYSIS WHICH CAUSES A METALLIC TASTE OR AN INCREASE IN THE METAL CONTENT OF THE WATER. THIS CONDITION IS AVOIDABLE BY USING THE PROPER MATERIALS AS INDICATED. ANY DRAIN FITTINGS PROVIDED BY THE INSTALLER SHOULD BE MADE OF PLASTIC TO ELECTRICALLY ISOLATE THE FOUNTAIN FROM THE BUILDING PLUMBING SYSTEM.



### OPERATION OF QUICK CONNECT FITTINGS

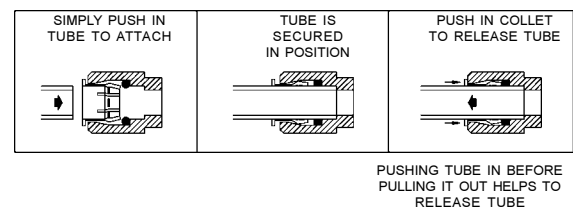
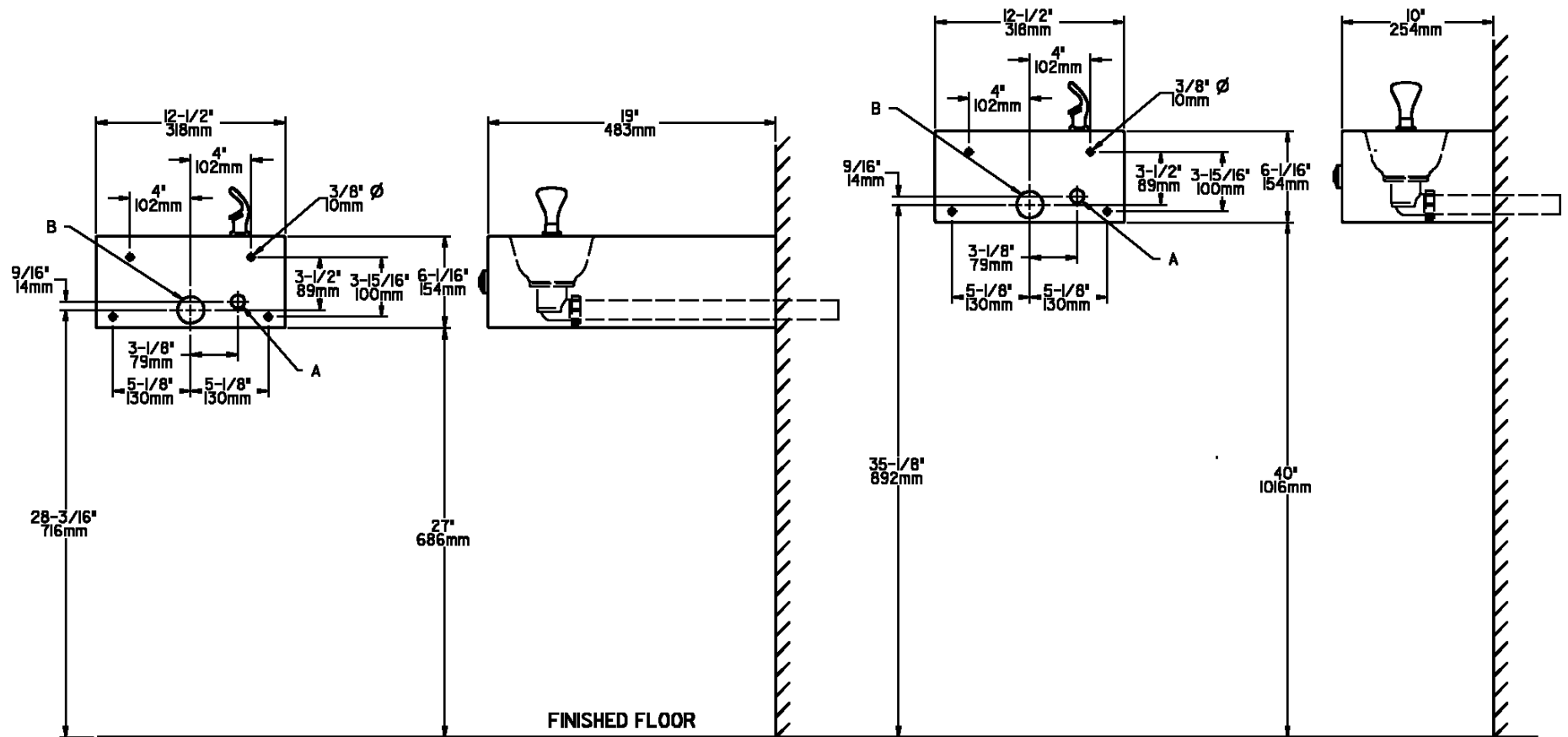


FIG. 2

HT-E ROUGH-IN

HT-S ROUGH-IN

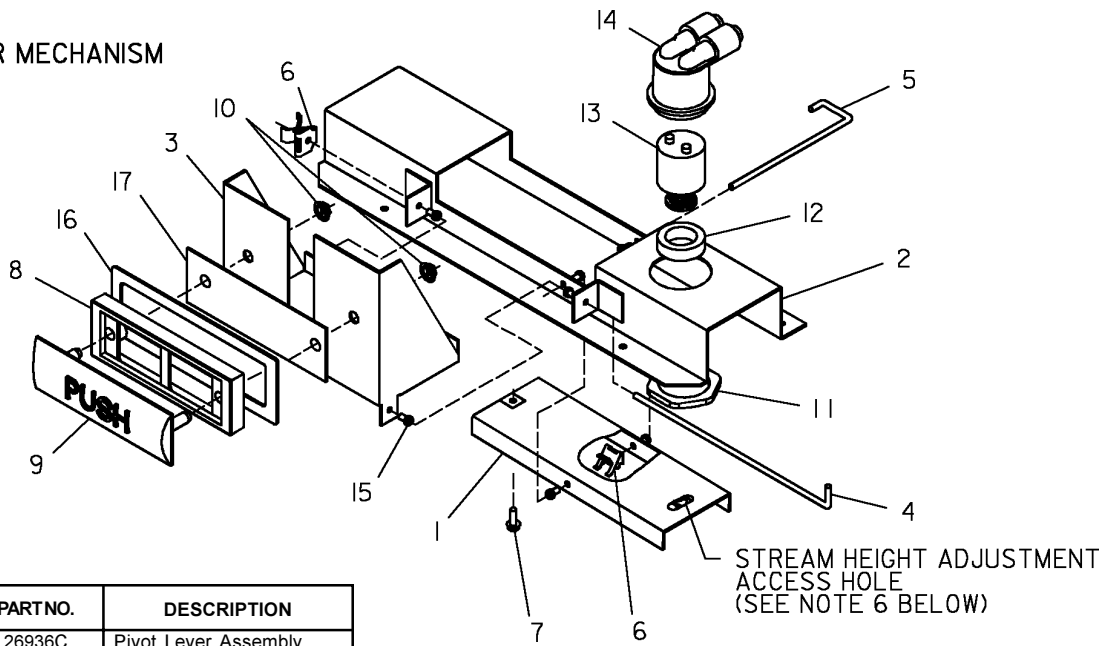


LEGEND:

- A = 3/8" O.D UNPLATED COPPER TUBE CONNECT (WATER SUPPLY)
- B = 1-1/4" O.D. WASTE TUBE (ELBOW AND TRAP NOT PROVIDED)

FIG. 3

PUSH BAR MECHANISM



ITEM NO.	PARTNO.	DESCRIPTION
1	26936C	Pivot Lever Assembly
2	26935C	Mounting Bracket Assy
3	27237C	Pushbar Bracket
4	75517C	Lever Rod
5	70378C	Pushbar Rod
6	75555C	Spring Clip
7	70856C	Screw - #10-24 x .38 PHMS
8	55859C	Pushbar - Side & Front
9	101514331640	Push Bar Insert
10	111411743620	Nut - 1/4, Self Thread
11	40045C	Hex Nut - Reg.
12	15005C	Regulator Retaining Nut
13	61313C	Regulator
14	50986C	Regulator Holder
15	50198C	Snap Bushing
16	55899C	Pad - Window Fill
17	27073C	Backing Plate

STREAM HEIGHT ADJUSTMENT ACCESS HOLE (SEE NOTE 6 BELOW)

FIG. 4

- 1. Wall should already be framed for the fountain** using the positioning dimensions shown in Fig.3. Shown dimensions pertain to installation location (framing must support up to 150 lbs. weight). These dimensions are required for compliance with ANSI Standard A117.0.
- 2. Install rough-in plumbing** as shown in Fig.3. Waste line should extend a minimum of 2" (51mm) thru the back panel. Run supply water inlet line thru back panel. Install a service stop (not provided). Turn on supply water and flush thoroughly.
- 3. Remove bottom access panel** from fountain basin and save the screws. Install the fountain to the back panel and wall using (4) 5/16" x 2" lag bolts and washers (not provided) thru holes in back panel. Tighten securely.
- 4. Cut waste tube to required length** using plumbing hardware and trap (not provided) as a guide. Install hardware and trap. Tighten securely.
- 5. Make water supply connections** from service stop to the fountain strainer (See Fig.1). Turn on water supply and check for leaks. Newly installed water supply line should be insulated after leak check is completed. **DO NOT SOLDER TUBES INSERTED INTO THE STRAINER AS DAMAGE TO THE O-RINGS MAY RESULT.**
- 6. Check stream height from bubbler.** Stream height is factory set at 45-50 PSI. If supply pressure varies greatly from this, adjust screw on regulator (Item 13). Clockwise adjustment will raise stream height and counter-clockwise adjustment will lower stream height. For best adjustment stream height should be approximately 1-1/2" (38mm) above the bubbler guard. (See Fig's 4 & 5).
- 7. Water Valve Mechanism - ADJUSTMENT PROCEDURE:**
  - Turn adjustment screw (Item #7) counter-clockwise until water flow from bubbler starts.
  - Turn adjustment screw clockwise until water flow stops, then turn an additional 1/2 turn.
- 8. Replace bottom access panel** to fountain basin using screws provided. Tighten securely.

HT-E \*C & HT-S\*C

PARTS LIST		
ITEM NO.	PARTNO.	DESCRIPTION
1	51546C	Bubbler - Satin
2	66318C	Tube Assy - Bubbler
3	10080C	Nipple - Bubbler (included with Item 2)
4	100322740560	Gasket - Bubbler (2 Req'd)
5	160270508640	Strainer Plate - Chrome
6	161637308640	Drain Plug - Chrome
7	100147140560	Gasket - Drain
8	66346C	Tube - Drain (HT - E1)
	66343C	Tube - Drain (HT - S1)
9	55884C	Elbow - Drain
10	75588C	Nut - Slip Joint
11	28316C	Basin - Stainless Steel (HT - E1)
	28317C	Basin - Stainless Steel (HT - S1)
12	23001C	Cover - Bottom (HT - E1)
	23002C	Cover - Bottom (HT - S1)
13	75589C	Gasket
NS	70055C	Nut - Speed
NS	55996C	Strainer (See Fig. 1)
NS	112627543890	Screw 10-24 x 1/2 PHTC

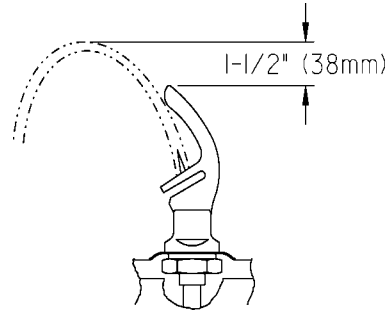
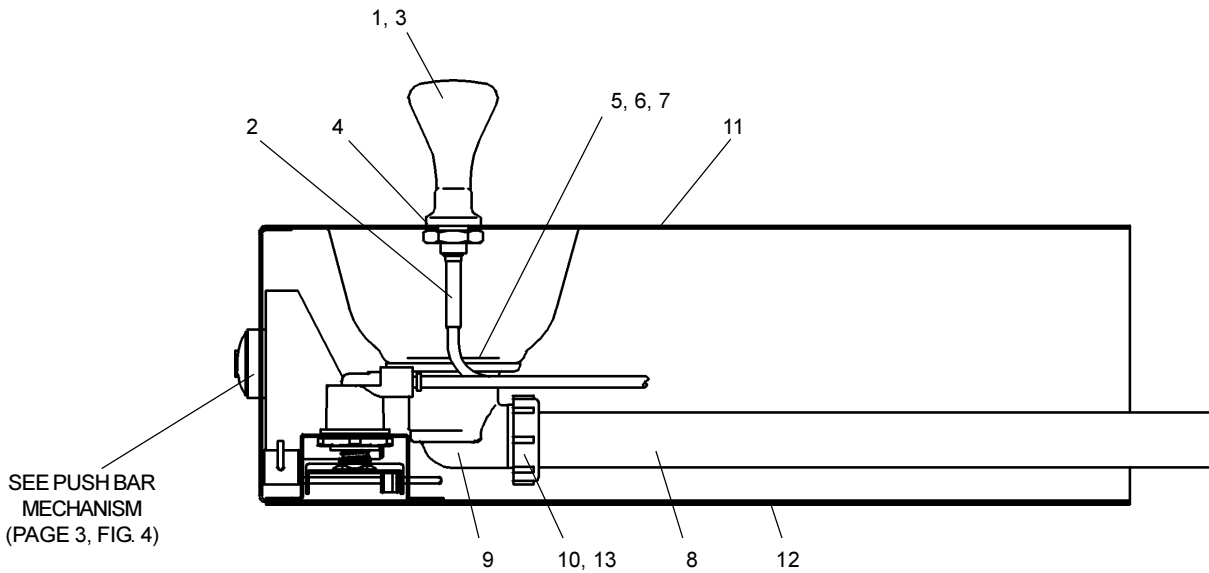


Fig. 5

MODEL HT-ER SHOWN



**Halsey Taylor**  
 2222 CAMDEN COURT  
 OAK BROOK, IL 60523

PRINTED IN U.S.A.

www.DrinkingFountainDoctor.com

800-518-5388