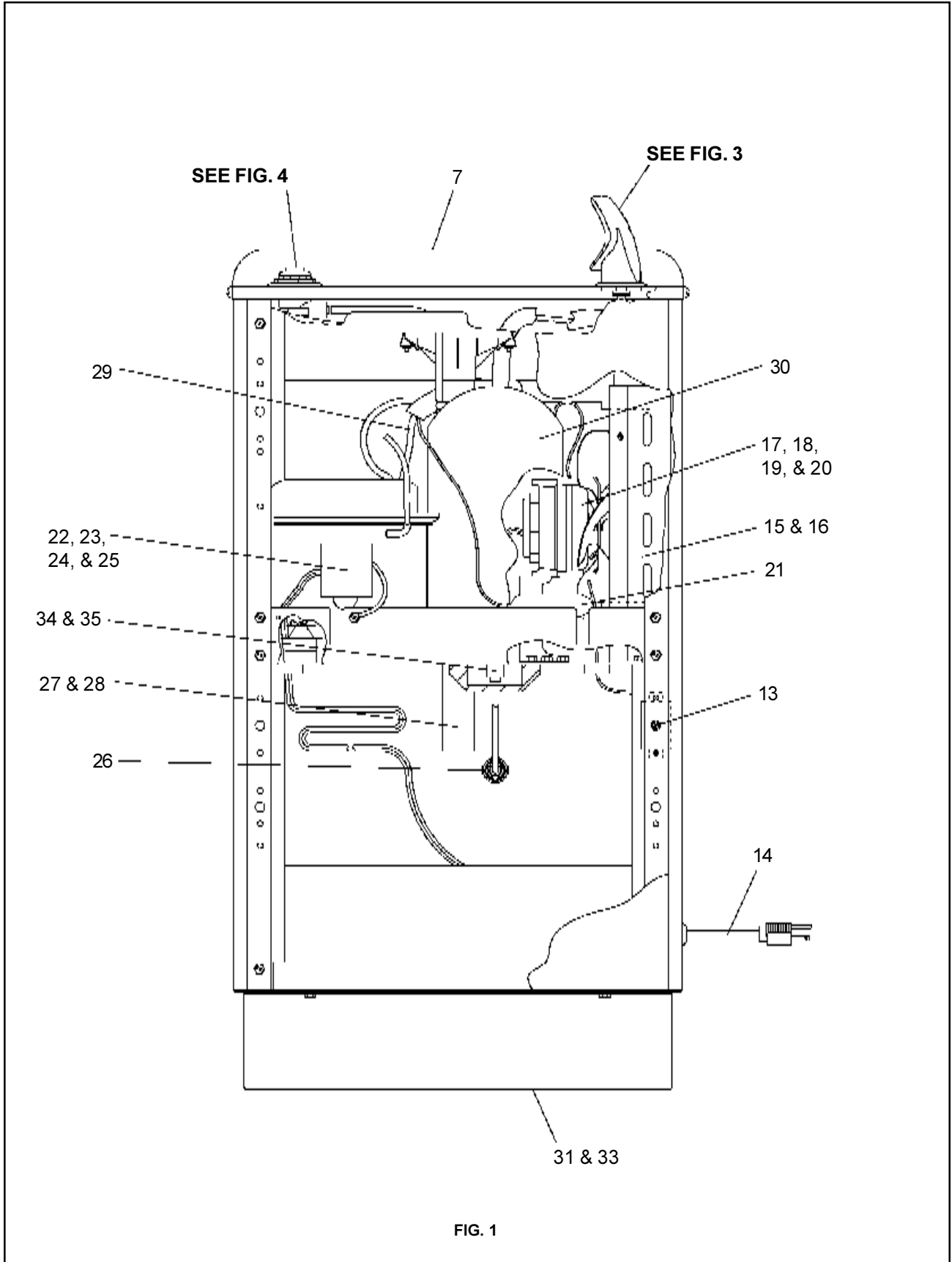


LL671-14\*1C,2C

With FLEXI-GUARD®

# Installation/Care/Use Manual

USES HFC-134A REFRIGERANT



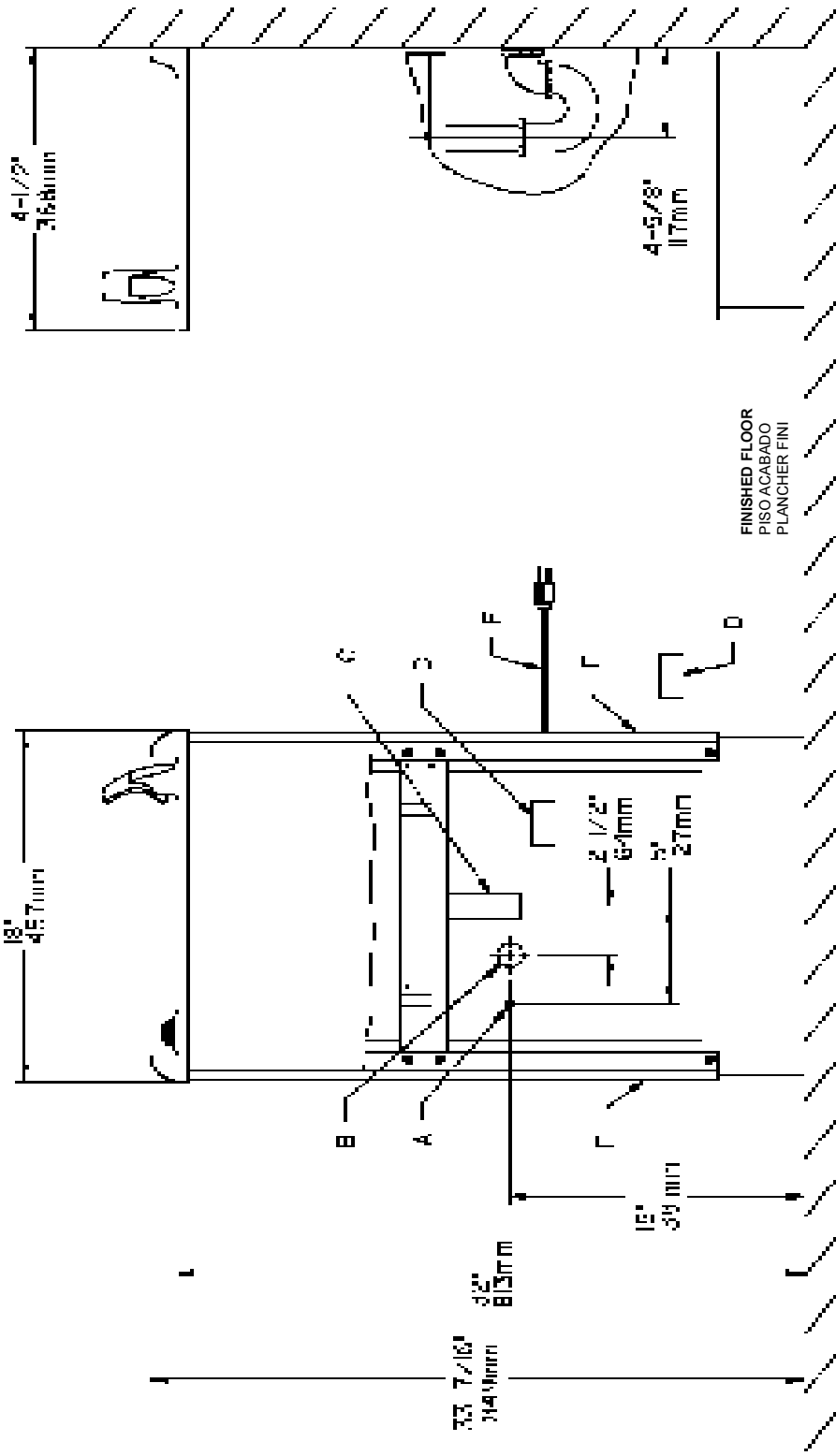
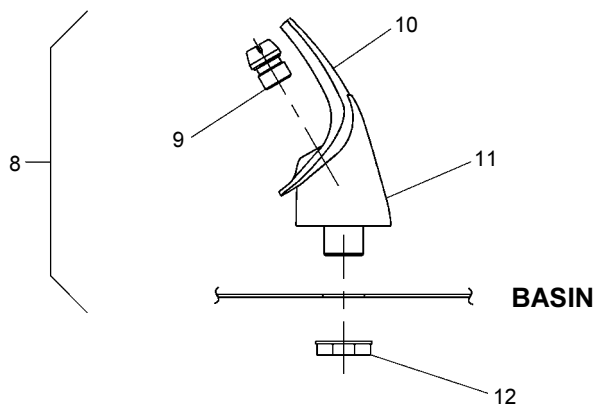


FIG. 2

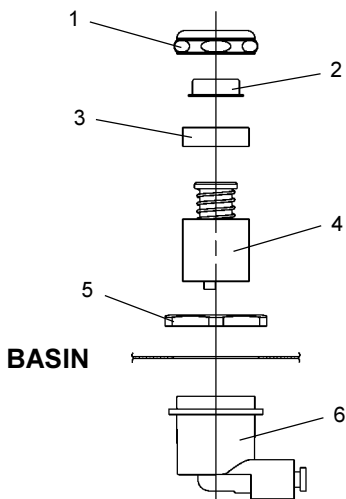
- LEGEND/LEYENDA/LÉGENDE**
- A = RECOMMENDED WATER SUPPLY LOCATION 3/8 O.D. UNPLATED COPPER TUBE CONNECT STUB OUT 1-1/2 IN. (38mm)**  
 FROM WALL SHUT OFF BY OTHERS  
 SE RECOMIENDA UBICAR EL TUBO CORTO DE CONEXIÓN AL TUBO DE COBRE SIN CHAPAR DE 3/8" DE DIÁM. EXT. A 1-1/2" (38 mm) FUERA DE LA LLAVE DE PASO EN LA PARED COLOCADA POR TERCEROS.  
 EMBLACEMENT RECOMMANDÉ D'ALIMENTATION EN EAU PAR TUBE EN CUIVRE NON PLAQUÉ DE 3/8 PO. (9.5 mm) D.E. CONNECTANT UNE TUYAUTERIE DE 1-1/2 PO. (38 mm) DEPUIS LE ROBINET D'ARRÊT FOURNI PAR D'AUTRES.
  - B = RECOMMENDED LOCATION FOR WASTE OUTLET 1-1/4" O.D. DRAIN**  
 UBICACIÓN RECOMENDADA PARA EL DRENAJE DE SALIDA DE AGUA, DE 1 1/2" DE DIÁMETRO.  
 EMBLACEMENT RECOMMANDÉ POUR LE DRAIN DE D.E. 1-1/4" DE SORTIE D'EAU.
  - C = 1-1/4 TRAP NOT FURNISHED**  
 SIPHON 1-1/4 NON FOURNI
  - D = ELECTRICAL OUTLET LOCATION**  
 UBICACIÓN DE LA TOMA DE ELECTRICIDAD  
 EMBLACEMENT DE LA PRISE DE COURANT
  - E = INSURE PROPER VENTILATION BY MAINTAINING 4" (102mm) (MIN.) CLEARANCE FROM CABINET LOUVERS TO WALL.**  
 ASEGURE UNA VENTILACIÓN ADECUADA MANTENIENDO UN ESPACIO E 4" (102mm) (MIN.) DE HOLGURA ENTRE LA REJILLA DE VENTILACIÓN DEL MUEBLE Y LA PARED  
 ASSUREZ-VOUS UNE BONNE VENTILATION EN GARDANT 4" (102mm) (MIN.) ENTRE LES ÉVÉNENTS DE L'ENCEINTE ET LE MUR.
  - F = POWER CORD 4 FEET (1219mm) LONG**  
 CABLE ELÉCTRICO DE 4 PIE (1219mm) DE LARGO  
 CORDON D'ALIMENTATION 4' (1219mm)
  - G = ALT. ELECTRICAL OUTLET LOCATION**  
 UBICACION ALT. DE LA TOMA DE ELECTRICIDAD  
 EMBLACEMENT ALTERNATIF DE LA PRISE DE COURANT



**NOTE:  
 WHEN INSTALLING REPLACEMENT  
 BUBBLER AND PEDESTAL, TIGHTEN  
 NUT (ITEM 12) ONLY TO HOLD PARTS  
 SNUG IN POSITION.  
 DO NOT OVER TIGHTEN.**

**FIG. 3**

Stream height is factory set at 35 PSI. If supply pressure varies greatly from this, remove Items 1 & 2 and adjust screw on Item 4. Clockwise adjustment will raise stream and counter-clockwise adjustment will lower stream. For best adjustment, stream should hit basin approximately 6-1/2" (165mm) from bubbler.



**FIG. 4**

PARTS LIST 115V

ITEM NO.	PART NO.	DESCRIPTION
1	40089C	Cover
2	40048C	Button
3	15005C	Regulator Retaining Nut
4	61313C	Regulator
5	40169C	Hex Nut
6	50986C	Regulator Holder
7	20776C	Basin
8	51349C	Bubbler Assy
9	40322C	Orifice Assy
10	50934C	Housing Assy
11	50168C	Pedestal
12	70012C	Bubbler Locknut
13	31513C	Cold Control
14	31502C	Power Cord
15	61013C	Condenser
16	21516C	Fan Shroud
17	31490C	Fan Motor
18	30664C	Fan Blade
19	20239C	Fan Bracket
20	70018C	Fan Blade Nut
21	66202C	Drier
22*	35762C	Compressor Serv. Pak
23	31027C	Overload/Relay Assy
24	35766C	Relay Cover
25	194243901550	Electrical Shield
26	55996C	Strainer
27	45678C	Precooler
28	55909C	Tailpipe Helix
29	66229C	Heat Exchanger
30	66421C	Evaporator
31	27247C	Base
32	50368C	Receptor-Drain
33	27248C	Angle
34	70767C	Evaporator Retaining Clip
35	70772C	Evaporator Drain Plug

220/240v 50/60 Hz

ITEM NO.	PART. NO.	DESCRIPTION
14	31440C	Power Cord
17	31430C	Fan Motor
22*	35764C	Compressor Serv. Pak
23	31028C	Overload/Relay Assy
24	35768C	Relay Cover

\*INCLUDES RELAY & OVERLOAD. IF UNDER WARRANTY, REPLACE WITH SAME COMPRESSOR USED IN ORIGINAL ASSEMBLY.

NOTE: All correspondence pertaining to any of the above water coolers or orders for repair parts MUST include Model No. and Serial No. of cooler, name and part number of replacement part.

COLOR TABLE	LEFT PANEL	RIGHT PANEL	FRONT PANEL
Gray Beige	21072C	21073C	20675C
Almond	21472C	21473C	20676C
Stainless Steel	21080C	21081C	20672C
Sandalwood	21470C	21471C	21454C
Granite	27159C	27162C	27150C