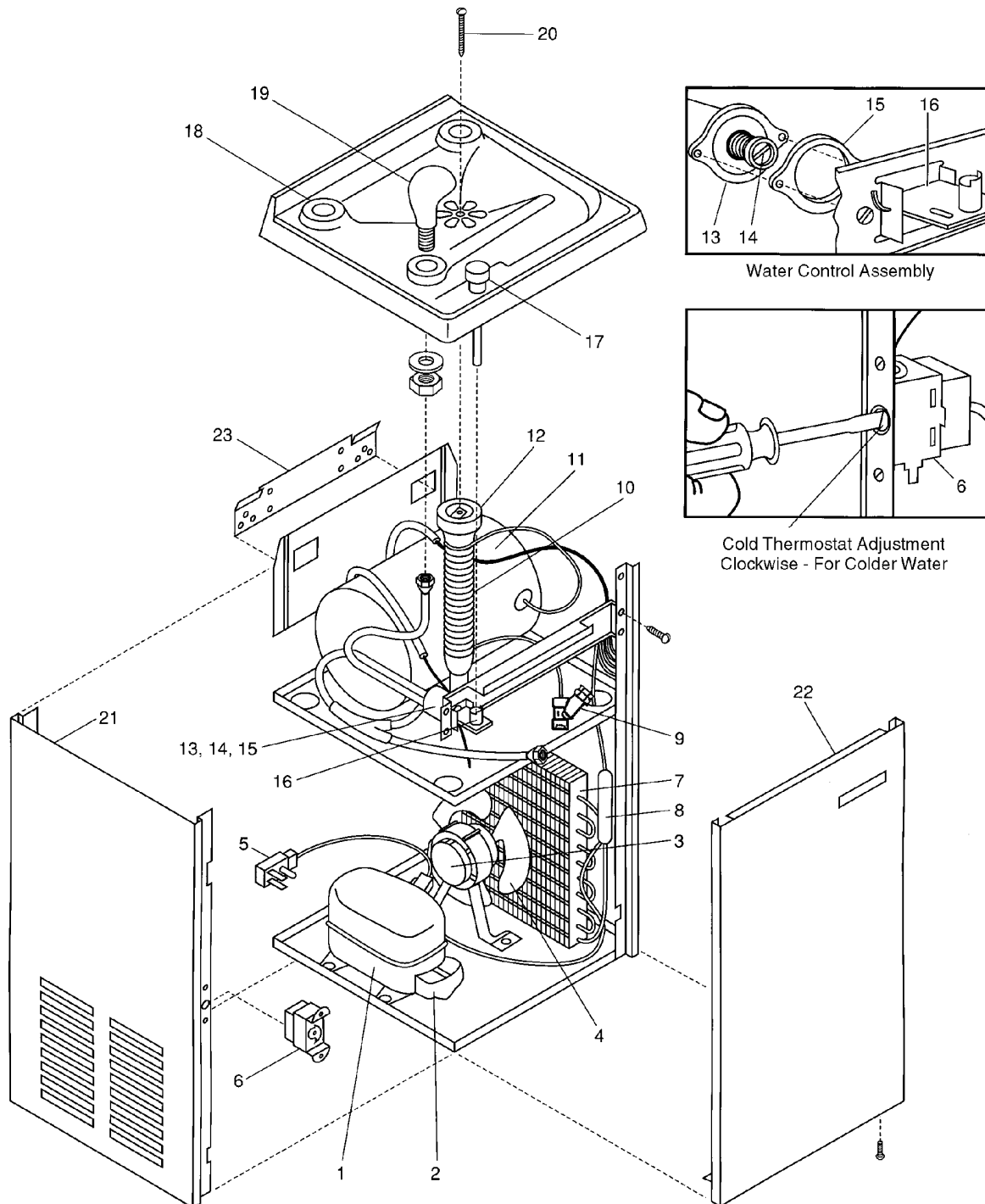


WALL MOUNTED WATER COOLER

NSW-5



Parts List for Water Cooler Model: NSW-5

| ITEM | PART NUMBER | DESCRIPTION |
|------|--------------|--|
| 1 | AA00007-SP | Compressor A203704 R134a |
| 2 | AA00007-T1 | Overload MRP57ALK-34 |
| | AA00007-T2 | Relay 9660-040-152 |
| 3 | B153475 | Fan Motor (eyelet) |
| | D036186-02 | Fan Motor (uses Spade Connections) |
| 4 | C025756 | Fan Blade |
| 5 | C026081 | Wiring Harness (eyelet) |
| | C026392-01 | Wiring Harness (uses Spade Connections) |
| | C026382-04 | 16" Wire Assembly (uses Spade Connections) |
| 6 | A016241 | Cold Thermostat (eyelet) |
| | C026376-03 | Cold Thermostat (uses Spade Connections) |
| 7 | C026102 | Condenser |
| 8 | AA00004 | Drier |
| 9 | A020938-01 | "Y" Strainer |
| 10 | A018156-02 | Drain |
| 11 | C026072-SP | Evaporator |
| 12 | A015671 | Drain Washer |
| 13 | 10947-003-SP | Water Control Assembly |
| 14 | B153468-01 | Cartridge |
| 15 | A015240 | Fiber Washer |
| 16 | A015950-02 | Toggle Lever |
| 17 | A017272-01 | Push Button |
| 18 | A016519 | Hole Cover |
| 19 | C026293-SP | Cobra Spout (metal) |
| | 11432 | Safety-Gard™ Spout Assy (Optional) |
| 20 | A016762 | Drain Screw |
| 21 | D035802-19 | Side Panel - Pewter |
| | D035802-31 | Side Panel - Stainless Steel |
| 22 | D035806-19 | Front Panel - Pewter |
| | D035806-31 | Front Panel - Stainless Steel |
| 23 | B154077 | Hanger Bracket |

NOTE: Contact service department for information on compressors not shown on this page. This sheet cancels all previous lists for this model.