



## MODEL RC8A-Q



This water cooler is certified to **NSF/ANSI 61**.

### GENERAL

Modular, electric refrigerated, fully-recessed wall-mounted water cooler designed to be easily accessible to physically challenged individuals. When properly installed, unit meets state and federal requirements as defined by the Americans with Disabilities Act for side approach. Unit is certified to NSF/ANSI 61 and meets requirements of the Safe Drinking Water Act. Unit provides 50° F water at 80° F inlet water and 90° F ambient.

### FOUNTAIN

One-piece, non-corrosive stainless steel cooler top, number 300 series with satin finish and contour-formed basin.

### BUBBLER

Exclusive one-piece, chrome-plated two-stream mound-building bubbler with non-removable anti-squirt feature and integral hood insures a satisfying drink of water.

### PUSHBUTTON ACTUATION MECHANISM

Self closing, vandal-resistant pushbutton does not require grasping or twisting.

### AUTOMATIC STREAM HEIGHT REGULATOR

Self-closing assembly is located inside unit to prevent tampering. Unit resists corrosion and liming. A constant stream height is automatically maintained under line pressures that vary from 20 to 105 psi.

### INLET STRAINER

Easily cleaned in-line strainer screen traps particles of 140 microns or larger before they enter the waterway.

### REFRIGERATION SYSTEM

Hermetically sealed, positive start compressor with lifetime lubrication and built-in overload protection, efficient capillary sizing, large capacity dryer-strainer, and self-lubricated fan cools copper/aluminum condenser. System uses R134A refrigerant. Protected by Halsey Taylor's Limited 5 Year Warranty.

### MOUNTING FRAME

Mounting frame is manufactured of corrosion resistant, galvanized steel. Open construction designed for ease of installation. Mounting frame can be shipped in advance for rough-in installation.

### CABINET AND ACCESS PANEL

Cooling unit contained in a heavy gauge galvanized steel cabinet with front and rear panels removable for service. The lower louvered panel is easily removable for access to the chiller unit system.

### SUGGESTED SPECIFICATIONS

Shall deliver 7.5 GPH of 50° F water at 90° F ambient and 80° F inlet water. Fountain shall include pushbutton valve on front, contour-formed basin to eliminate splashing and standing water. Bubbler shall be chrome plated, two-stream, mound-building type. Cooling unit shall have a high efficiency positive start compressor using R134A with pressurized counterflow cooling evaporator/chiller. Cooler shall comply with ANSI 117:1 and **ADA for side approach only**. The manufacturer shall certify the unit to meet the requirements of NSF/ANSI 61, and the Safe Drinking Water Act. Unit complies with ARI Standard 1010.

NOTE: Continued product improvement makes specifications subject to change without notice. See Halsey Taylor website for most current spec sheet.

## Fully Recessed Cooler



**Standard finish is Stainless Steel**

### Optional Accessories (extra cost)

- Easy-Flex™ Bubbler
- Vandal-Resistant Kit
- Water Filter
- Glass Filler

NOTE: Glass filler is factory installed.

No 2408 style glass filler only.

### Each RC consists of 3 cartons as follows:

Cooling Unit -SJ8-Q

Basin and Grill

Mounting Frame

**Trap and service stop not included.**

JOB NAME: \_\_\_\_\_  
 \_\_\_\_\_  
 \_\_\_\_\_  
 ENGINEER/CONTRACTOR NAME:  
 \_\_\_\_\_  
 APPROVAL: \_\_\_\_\_  
 DATE: \_\_\_\_\_

### RC FULLY RECESSED SERIES

Model No.	GPH Capacity Cooled to 50° F*				Base Rate Cap.	F.L. Amps	Shipping Weight lb.	Rated Watt Usage
	Ambient Air Temp							
	70°F	80°F	90°F†	100°F				
RC8A-Q	9.1	8.3	7.5	6.5	7.5	4.0	89	370

\* With projector service and tap water at 80° F

† UL listed and complies with ARI Standard 1010



\* For parallel approach only

halseytaylor.com

HALSEY TAYLOR, 2222 CAMDEN COURT, OAK BROOK, ILLINOIS 60523

# RC8A-Q

## Fully Recessed Cooler

(CONTINUED)

### INSTALLATION INSTRUCTIONS

Wall-mounting frame must be secured in wall opening with plumbing and electrical supply in place, before installing cooler fountain assembly. Attach fountain to frame, tighten drain plug, and make waste connection.

Install cooling unit and make water supply and electrical connections. Open service valve fully and check for water leaks. Adjust automatic stream regulator (on valve body) to provide a drinking stream approximately 1 1/2" above projector guard. Secure access panel to frame.

### MOUNTING HEIGHT

Adult mounting height recommended 40" from basin to floor. May be mounted at any height. To comply with ADA requirements for parallel approach, the floor to bubbler surface height must be adjusted to 36". All other dimensions must be adjusted accordingly.

### WALL OPENING

Cut a wall opening 17 1/8" W x 48 1/2" H and 16 1/8" above the floor line.

### PLUMBING SUPPLY CONNECTIONS

3/8" copper tubing to wall box. Connection to the cooling unit requires 3/8" tubing connection.

### ELECTRICAL SUPPLY CONNECTION

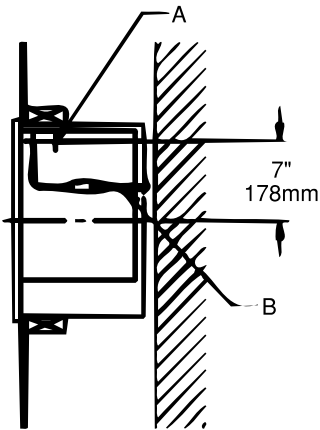
3/8" or 1/2" (7/8" actual) conduit connection to remote chiller.

Installation requires trap to be installed in wall. Trap and service stop not included.

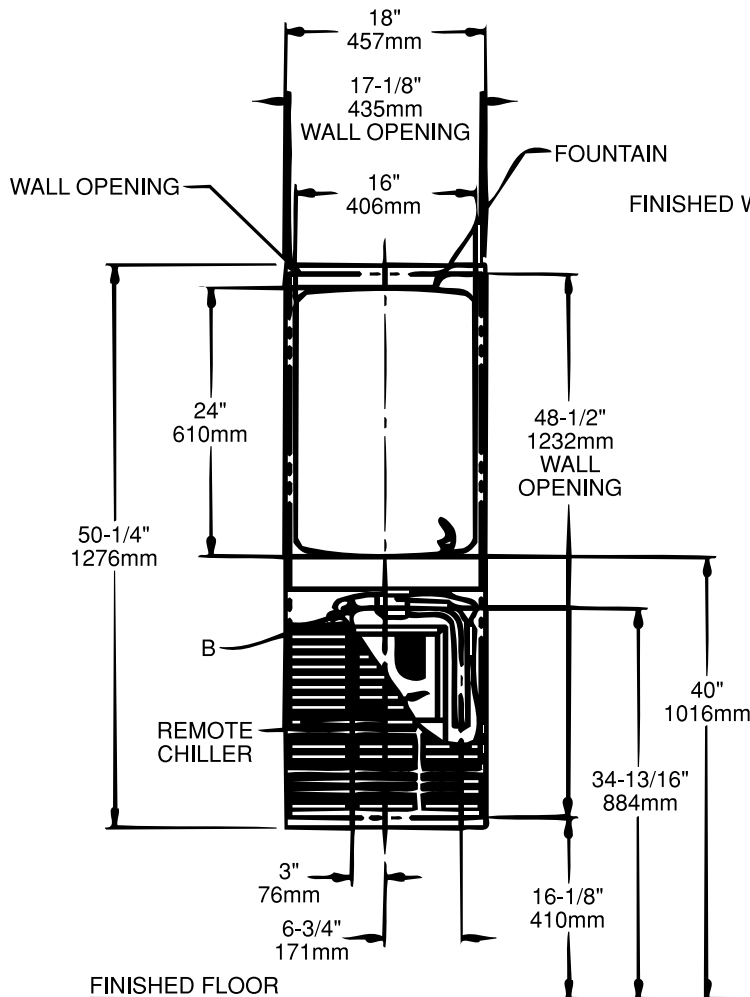
### OPERATING PRESSURES:

Supply water - 105 psi maximum

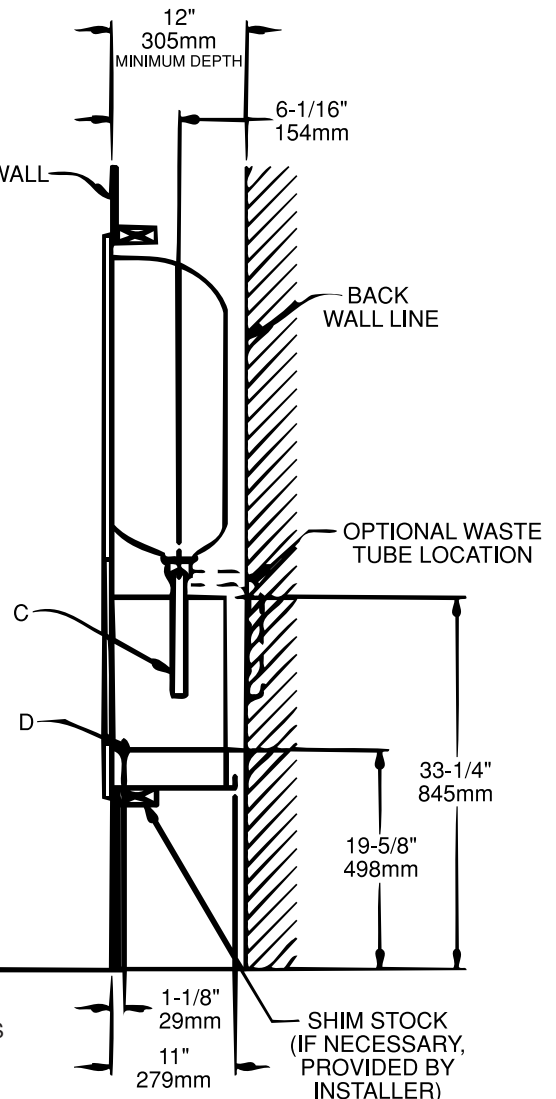
TOP VIEW



FRONT VIEW



SIDE VIEW



### Legend:

- A = 1/4" O.D. TUBE CONNECT (CHILLER WATER OUTLET)
- B = 3/8" O.D. TUBE CONNECT (CHILLER WATER INLET) SHUT OFF VALVE BY OTHERS
- C = 1-1/4" O.D. WASTE WATER OUTLET TUBE (TRAP NOT FURNISHED)
- D = ELECTRICAL INLET

**Halsey Taylor**