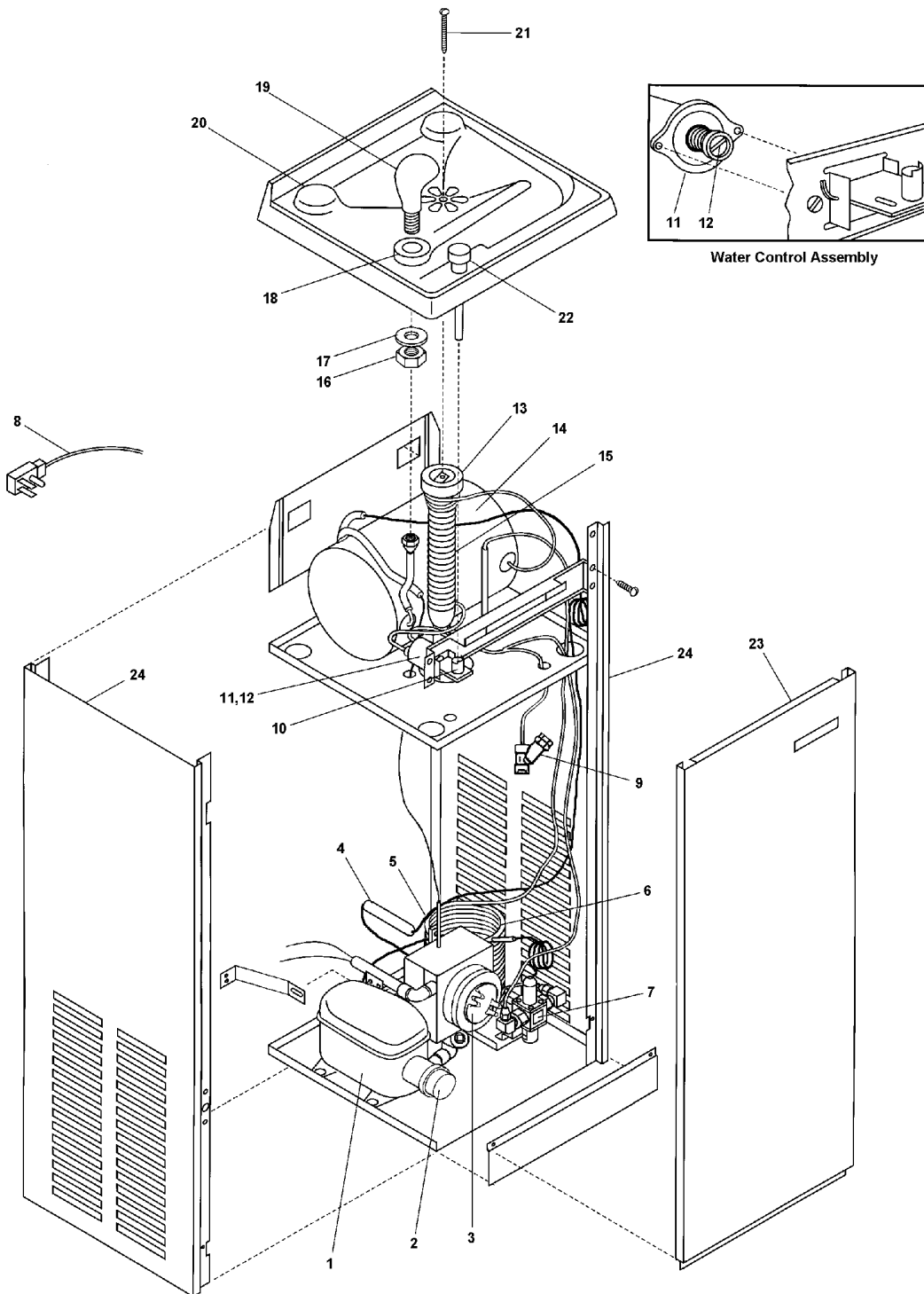


# FLOOR STANDING WATER COOLER

## SAFE II



## Parts List for Water Cooler Model: SAFE II

ITEM	PART NUMBER	DESCRIPTION
1	AA00014-SP	Compressor AE34254
2	AA00014-T1	Overload 4TM780PFB22-51
	AA00014-T2	Relay 8EA402
3	A016241	Cold Thermostat
4	C026081	Wiring Harness (eyelet)
5	C026498-704	Capillary Tube
6	C026103-SP	Condenser
7	B154560-01	Water Valve
8	C026081	Not Applicable
9	A020938-01	“Y” Strainer
10	A015950-02	Toggle Lever
11	10947-003-SP	Water Control Assembly
12	B153468-01	Cartridge
13	A015671	Drain Washer
14	C026072-SP	Evaporator
15	B154148-SP	Precooler
16	A021112	Binder Nut
17	A021220	Spring Washer
18	A016210	Fiber Washer
19	C026293-SP	Cobra Spout (metal)
	11432	Safety-Gard™ Spout Assy (Optional)
20	D035701-05	Stainless Steel Top
21	A016762	Drain Screw
22	A017272-01	Push Button
23	D035804-19	Front Panel - Pewter
	D035804-31	Front Panel - Stainless Steel
24	D035800-19	Side Panel - Pewter
	D035800-31	Side Panel - Stainless Steel

NOTE: Contact service department for information on compressors not shown on this page. This sheet cancels all previous lists for this model.

www.DrinkingFountainDoctor.com

800-518-5388