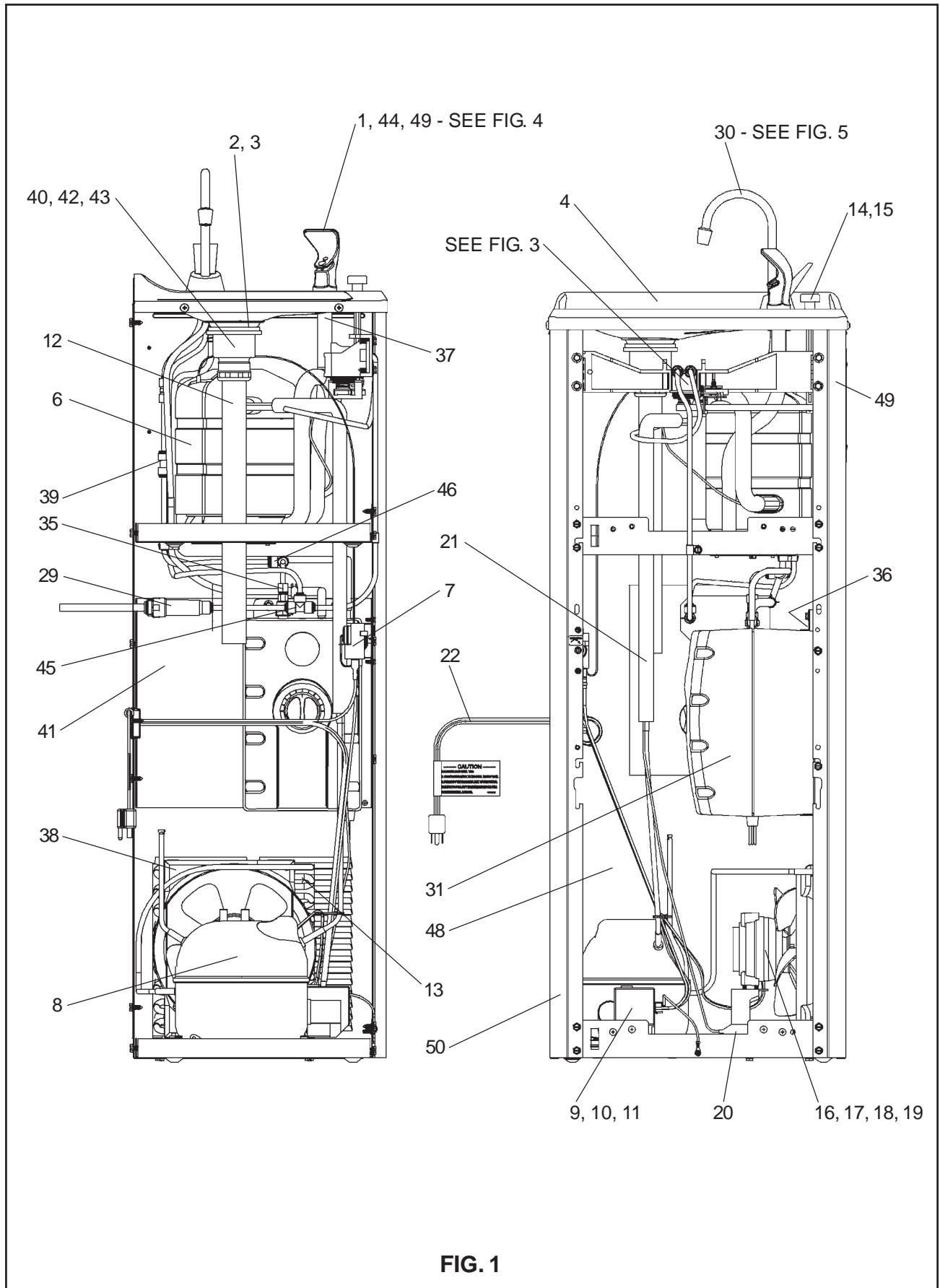


HALSEY TAYLOR OWNERS MANUAL

USES HFC-134A REFRIGERANT



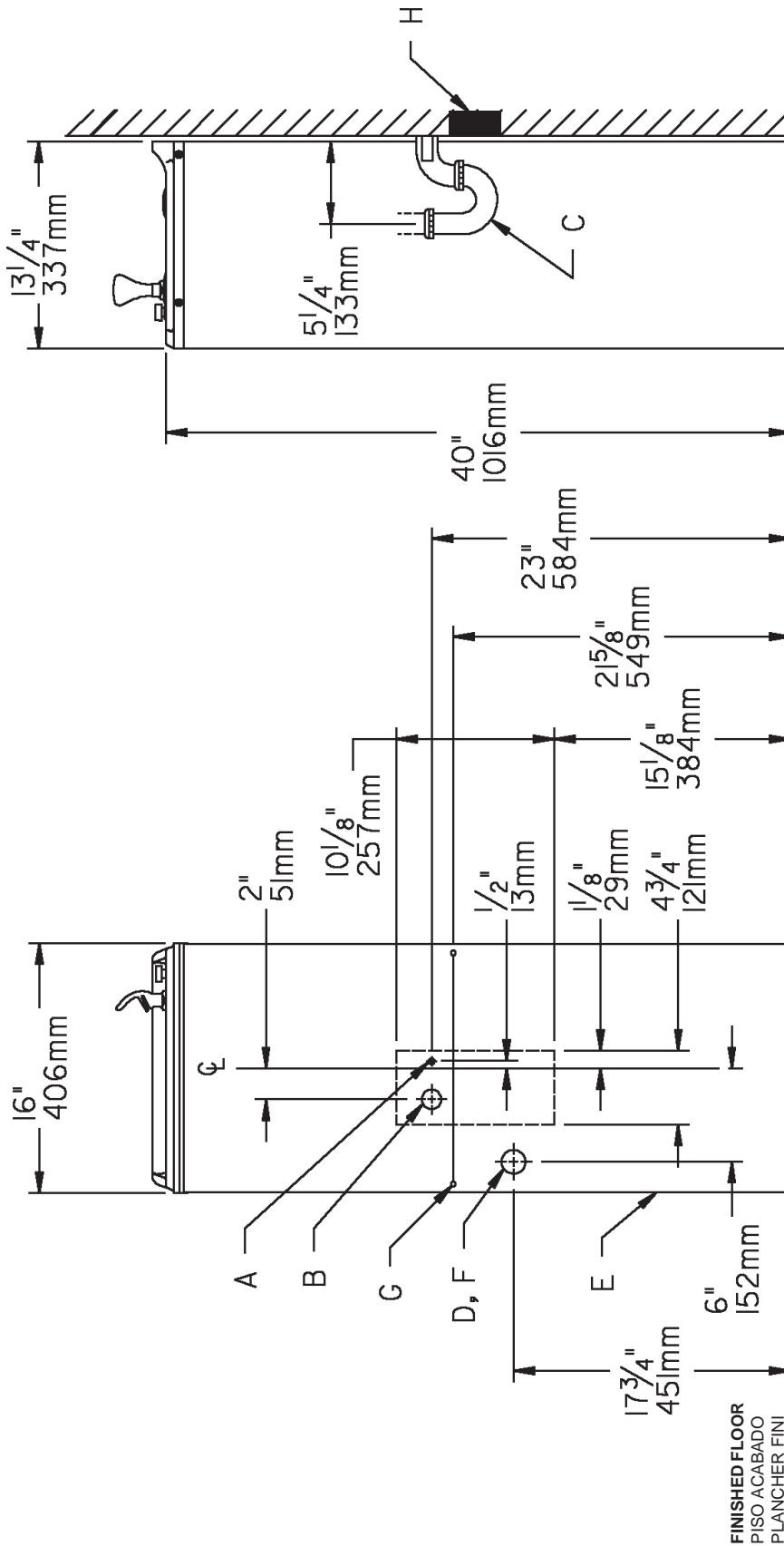


FIG. 2

- LEGENDA/LEYENDA/LÉGENDE**
- A = RECOMMENDED WATER SUPPLY LOCATION 3/8 O.D. UNPLATED COPPER TUBE CONNECT STUB OUT 1-1/2 IN. (38mm)**
 SE RECOMIENDA UBICAR EL TUBO CORTO DE CONEXIÓN AL TUBO DE COBRE SIN CHAPAR DE 3/8" DE DIAM. EXT. A 1-1/2" (38 mm) FUERA DE LA LAVO DE PASO EN LA PARED COLOCADA POR TERCEROS.
 EMPACEMENT RECOMMANDÉ D'ALIMENTATION EN EAU PAR TUBE EN CUIVRE NON PLAQUÉ DE 3/8 PO. (9.5 mm) D.E. CONNECTANT UNE TUYAUTERIE DE 1-1/2 PO. (38 mm) DEPUIS LE ROBINET D'ARRÊT FOURNI PAR D'AUTRES.
- B = RECOMMENDED LOCATION FOR WASTE OUTLET 1-1/4" O.D. DRAIN**
 UBICACIÓN RECOMENDADA PARA EL DRENAJE DE SALIDA DE AGUA, DE 1 1/4" DE DIÁMETRO.
 EMPACEMENT RECOMMANDÉ POUR LE DRAIN DE D.E. 1-1/4" DE SORTIE D'EAU.
- C = 1-1/4 TRAP NOT FURNISHED**
 PURGADOR DE 1 1/4 NO PROPORCIONADO
 SIPHON 1-1/4 NON FOURNI
- D = ELECTRICAL OUTLET LOCATION**
 UBICACIÓN DE LA TOMA DE ELECTRICIDAD
 EMPACEMENT DE LA PRISE DE COURANT
- E = INSURE PROPER VENTILATION BY MAINTAINING 4" (102mm) (MIN.) CLEARANCE FROM CABINET LOUVERS TO WALL.**
 ASEGURE UNA VENTILACIÓN ADECUADA MANTENIENDO UN ESPACIO E 4" (102mm) (MÍN.) DE HOLGURA ENTRE LA REJILLA DE VENTILACIÓN DEL MUEBLE Y LA PARED
 ASSUREZ-VOUS UNE BONNE VENTILATION EN GARDANT 4" (102mm) (MIN.) ENTRE LES ÉVÉNENTS DE L'ENCEINTE ET LE MUR.
- F = POWER CORD 4' (1219mm) LONG**
 CABLE ELÉCTRICO DE 4' (1219mm) PIE. DE LARGO
 CORDON D'ALIMENTATION 4' (1219mm)
- G = WALL SCREW HOLES**
 AGUJEROS DE TORNILLOS DE PARED
 TROUS DE VIS DU MUR
H = 2 X 4 BLOCKING
 BLOQUEO DE 2 X 4

PUSH BUTTON VALVE ADJUSTMENT

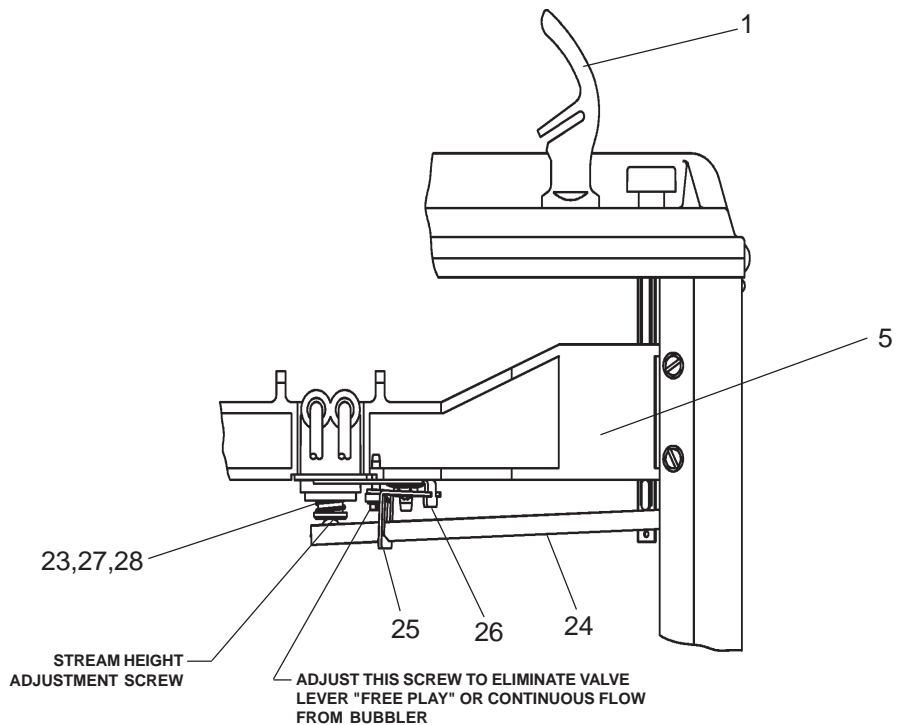
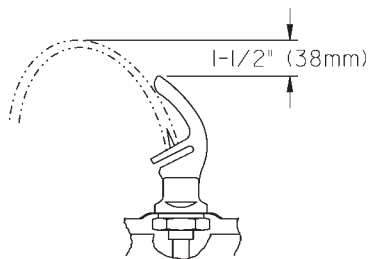


FIG. 3



CORRECT STREAM HEIGHT

FIG. 4

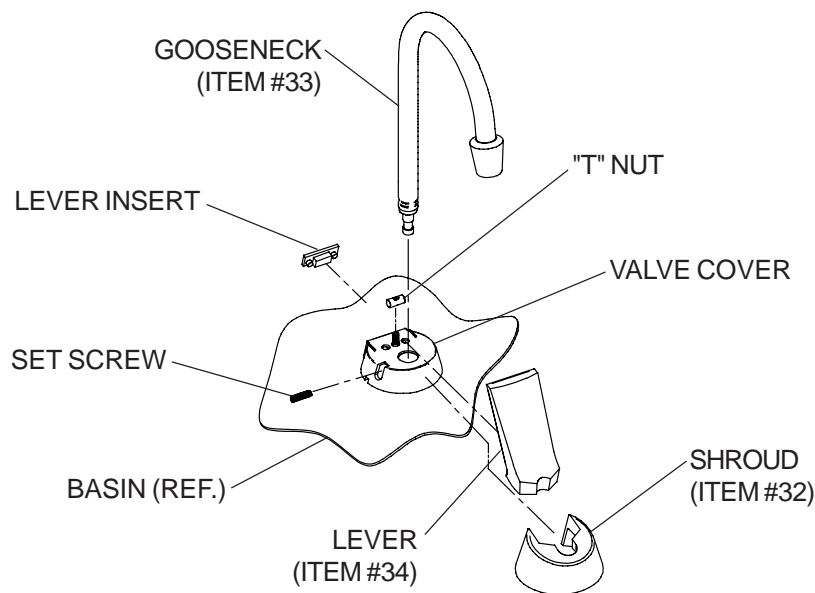


FIG. 6

HOT VALVE INSTALLATION

1. LOCATE PARTS FROM PARTS BAG: GOOSENECK, SHROUD, LEVER, & LEVER INSERT.
2. ADJUST "T" NUT AT RIGHT ANGLE TO GOOSENECK HOLE AS SHOWN IN FIG. 6.
3. SLIP LEVER OVER "T" NUT BY PUSHING LEVER BACK INTO POSITION. GOOSENECK HOLE MUST BE VISIBLE.
4. INSERT GOOSENECK INTO HOLE BY PUSHING IT DOWN FIRMLY. ALIGN GOOSENECK SO OUTLET IS OVER BASIN. TIGHTEN SET SCREW TO LOCK GOOSENECK IN PLACE.
5. SNAP SHROUD INTO PLACE OVER VALVE COVER.
6. INSTALL LEVER INSERT INTO BACK OF LEVER.
7. TURN WATER SUPPLY ON AND DEPRESS VALVE LEVER TO FILL HOT TANK. WHEN TANK IS FULL WATER SHOULD COME OUT OF GOOSENECK.
8. INSTALLATION IS COMPLETE. PLUG HOT TANK INTO ELECTRICAL SUPPLY. HOT WATER SHOULD BE AVAILABLE IN ABOUT 30 MINUTES.

ITEMIZED PARTS LIST

ITEM NO.	PART NO.	DESCRIPTION
1	51544C	Bubbler
2	102639931640	Drain Plug
3	160270508640	Strainer Plate
4	28724C	Basin
5	55880C	Bracket-Regulator Mounting
6	66534C	Evaporator
7	31513C	Cold Control
8*	36094C	Compressor Serv. Pak
9	36158C	Overload
10	35959C	Relay
11	35768C	Relay Cover
12	45679C	Tailpipe Assy
13	66743C	Condenser
14	101453431640	Cap Push Button
15	101507531550	Push Button Stem
16	31490C	Fan Motor
17	30664C	Fan Blade
18	70018C	Fan Blade Nut
19	20282C	Fan Motor Bracket
20	66703C	Drier
21	66576C	Heat Exchanger
22	36219C	Power Cord
23	15005C	Regulator Retaining Nut
24	26860C	Regulator Lever
25	26861C	Pivot Bracket
26	26862C	Regulator Retaining Bracket
27	50986C	Regulator Holder
28	61314C	Regulator
29	55996C	Strainer
30	98307C	Hot Valve Assy
31	36261C	Hot Tank Assy
32	56277C	Shroud
33	28718C	Gooseneck
34	56276C	Lever Handle
35	56278C	Fitting - 1/4 Snap Connect
36	28719C	Bracket - Clamp
37	56092C	Poly Tubing (Cut To Length)
38	56237C	Shroud - Fan
39	70683C	Union - 1/4
40	100147140560	Drain Gasket
41	28439C	Bracket - Hot Tank Mounting
42	55913C	Adaptor-Drain W/O Holes
43	75588C	Nut - Slip Joint 1-1/4
44	56159C	Nipple - Bubbler
45	70682C	Tee - 1/4
46	70793C	Elbow - 1/4 X 90°
47	100322740560	Bubbler Gasket
48	402672943730	Back Panel
49	See Color Table	Side Panel - Right
50	See Color Table	Side Panel - Left
NS	See Color Table	Front Panel

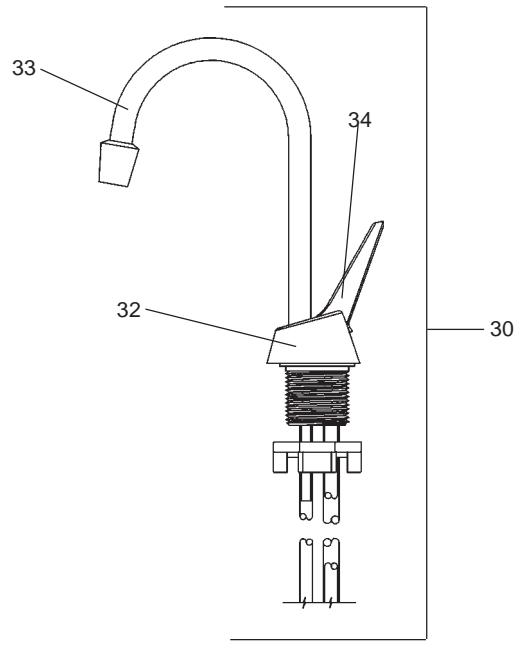
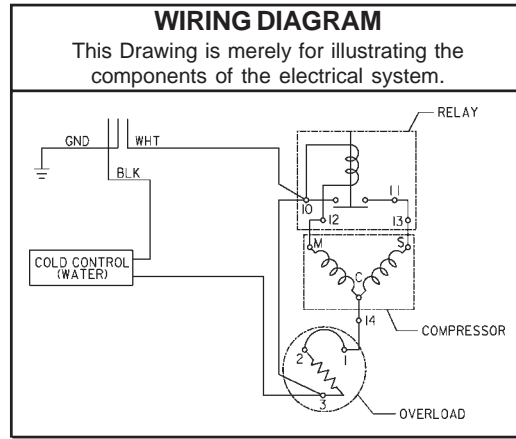


FIG. 5

*INCLUDES RELAY & OVERLOAD. IF UNDER WARRANTY, REPLACE WITH SAME COMPRESSOR USED IN ORIGINAL ASSEMBLY.
 NOTE: All correspondence pertaining to any of the above water coolers or orders for repair parts MUST include Model No. and Serial No. of cooler, name and part number of replacement part.

COLOR	RIGHT PANEL ITEM 54	LEFT PANEL ITEM 55	FRONT PANEL ITEM NOT SHOWN
Platinum (PV)	401536248410	401536348410	401507448410
Stnlss Stl (SS)	401536242830	401536342830	401507442830

Halsey Taylor

2222 CAMDEN COURT
 OAK BROOK, IL 60523
 630.574.3500

PRINTED IN U.S.A.
 IMPRESO EN LOS E.E.U.U.
 IMPRIMÉ AUX É.-U.