

HALSEY TAYLOR OWNERS MANUAL

USES HFC-134A REFRIGERANT

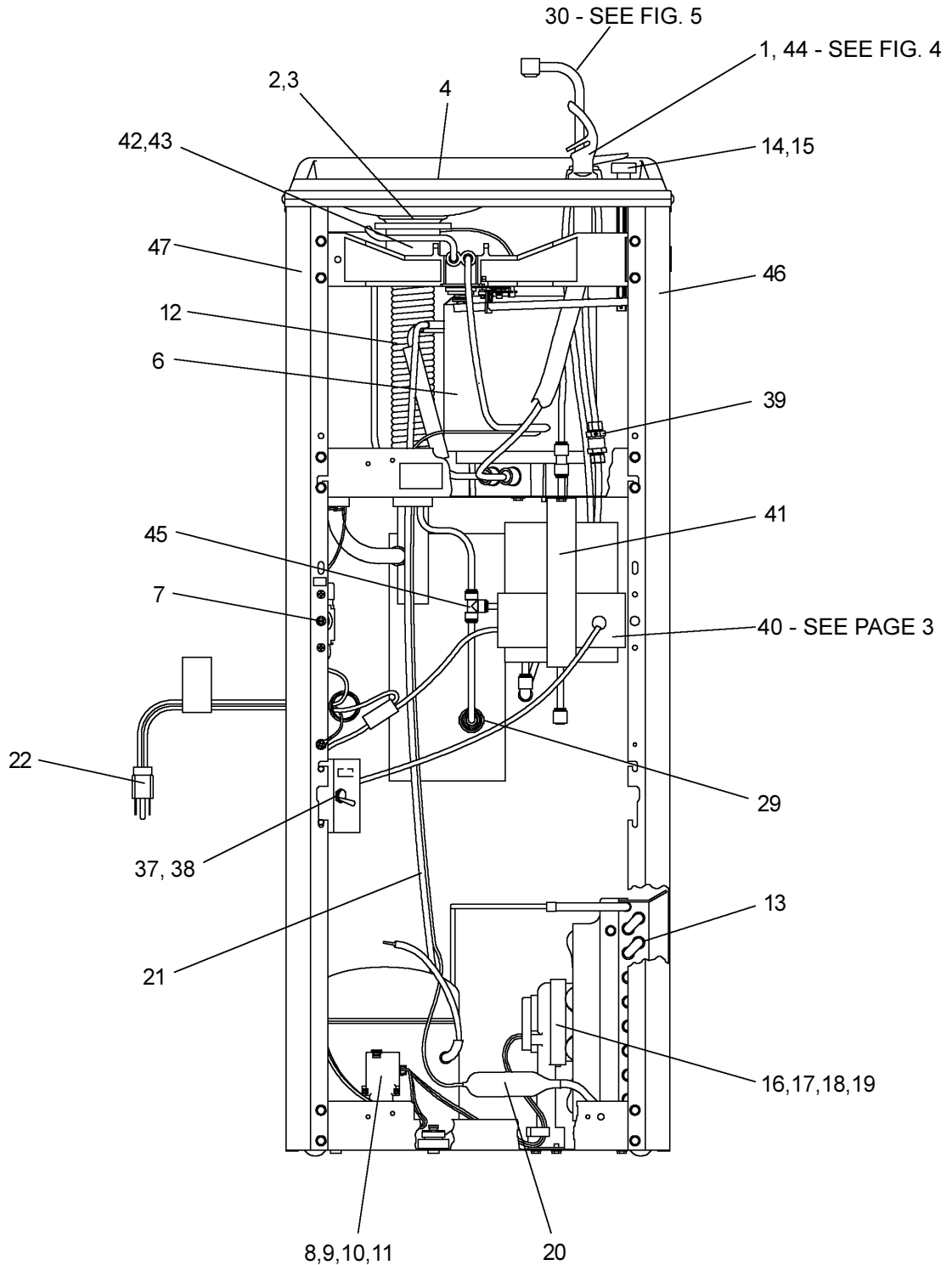


FIG. 1

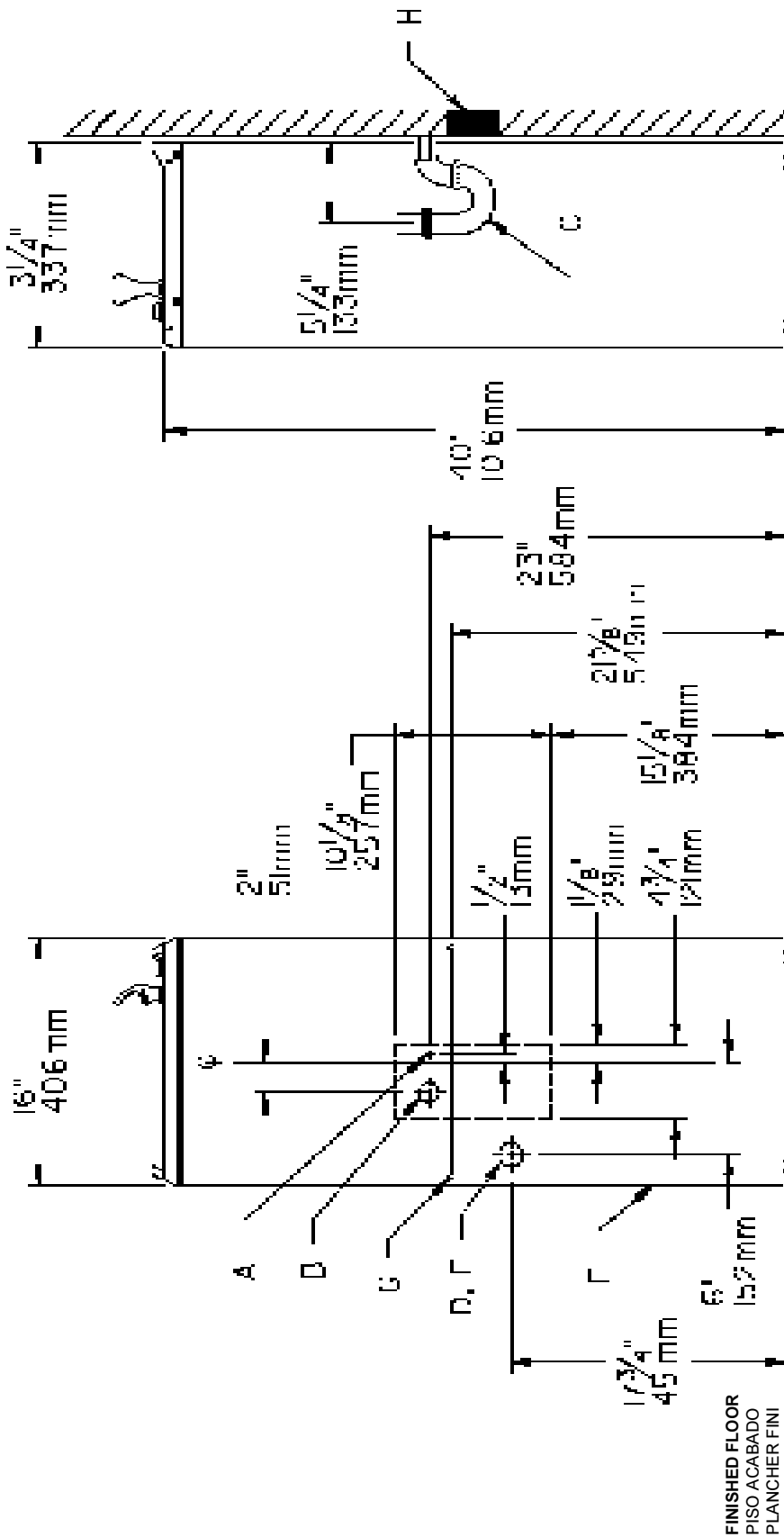


FIG. 2

LEGENDA/LEYENDA/LÉGENDE
A = RECOMMENDED WATER SUPPLY LOCATION 3/8 O.D. UNPLATED COPPER TUBE CONNECT STUB OUT 1-1/2 IN. (38mm)
FROM WALL SHUT OFF BY OTHERS
 SE RECOMIENDA UBICAR EL TUBO CORTO DE CONEXIÓN AL TUBO DE COBRE SIN CHAPAR DE 3/8" DE DIAM. EXT. A 1-1/2" (38 mm) FUERA DE LA LLAVE DE PASE EN LA PARED COLOCADA POR TERCEROS.
 EMPACEMENT RECOMMANDÉ D'ALIMENTATION EN EAU PAR TUBE EN CUIVRE NON PLAQUÉ DE 3/8 PO. (9.5 mm) D.E. CONNECTANT UNE TUYAUTERIE DE 1-1/2 PO. (38 mm) DEPUIS LE ROBINET D'ARRÊT FOURNI PAR D'AUTRES.

B = RECOMMENDED LOCATION FOR WASTE OUTLET 1-1/4" O.D. DRAIN
 UBICACIÓN RECOMENDADA PARA EL DRENAJE DE SALIDA DE AGUA DE 1 1/4" DE DIÁMETRO.
 EMPACEMENT RECOMMANDÉ POUR LE DRAIN DE D.E. 1-1/4" DE SORTIE D'EAU.

C = 1-1/4 TRAP NOT FURNISHED
 PURGADOR DE 1 1/4 NO PROPORCIONADO
 SIPHON 1-1/4 NON FOURNI

D = ELECTRICAL OUTLET LOCATION
 UBICACIÓN DE LA TOMA DE ELECTRICIDAD
 EMPACEMENT DE LA PRISE DE COURANT

E = INSURE PROPER VENTILATION BY MAINTAINING 4" (102mm) (MIN.) CLEARANCE FROM CABINET LOUVERS TO WALL.
 ASEGURE UNA VENTILACIÓN ADECUADA MANTENIENDO UN ESPACIO E 4" (102mm) (MIN.) DE HOLGURA ENTRE LA REJILLA DE VENTILACIÓN DEL MUEBLE Y LA PARED
 ASSUREZ-VOUS UNE BONNE VENTILATION EN GARDANT 4" (102mm) (MIN.) ENTRE LES ÉVÉNENTS DE L'ENCEINTE ET LE MUR.

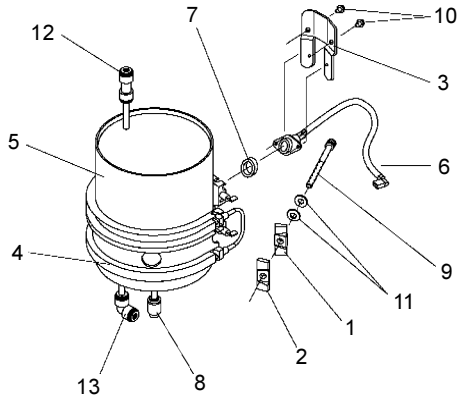
F = POWER CORD 4" (1219mm) LONG
 CABLE ELÉCTRICO DE 4" (1219mm) DE LARGO
 CORDON D'ALIMENTATION 4" (1219mm)

G = WALL SCREW HOLES
 AGUJEROS DE TORNILLOS DE PARED
 TROUS DE VIS DU MUR
H = 2 X 4 BLOCKING
 BLOQUEO DE 2 X 4
 BLOC 2 X 4

SERVICING THE HOT CONTROL AND FUSE ASSEMBLY

1. A temperature sensing non-resetable fuse in the wire is located approximately 3" (76mm) from the thermostat. The fuse is located under the retaining bracket (Item 3) in the groove on the heater element jacket (Item 4).
2. The thermostat must be used with a washer-spacer (Item 7) and be centered in the heater element jacket for proper temperature control. Locate the heater element jacket about 3/4" (19mm) above the bottom of the tank.
3. The heater element jacket must be fastened **VERY TIGHTLY** to the tank (45+/-10 inch/lbs. of torque on the mounting screw Item 9). Failure to **TIGHTEN** heater element jacket may cause rapid failure of the fuse assembly.

HOT TANK PARTS LIST



ITEM NO.	PART. NO.	DESCRIPTION
1	22111C	Heater Clamping Bracket
2	22112C	Heater Clamping Bracket (thrd)
3	22113C	Retaining Bracket
4	30980C	Heater Element & Jacket
5	31386C	Tank & Tube Assy
6	31428C	Hot Control Assy
7	50787C	Washer-Spacer
8	70606C	Drain Plug
9	70607C	Screw 1/4-20 x 3.00" HSHC
10	70640C	Screw #8-18 x 5/16" HHTC
11	70659C	Belleville Washer
12	70683C	1/4 Union
13	70793C	1/4 Elbow
NS	22588C	Hot Tank Mounting Bracket

PUSH BUTTON VALVE ADJUSTMENT

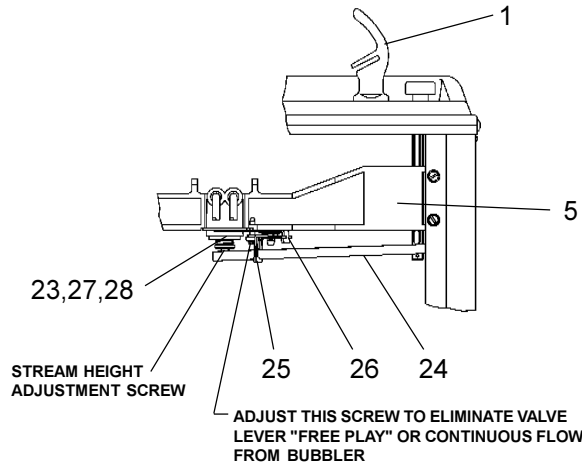
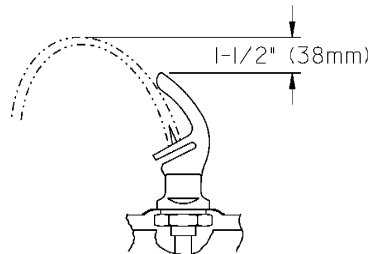


FIG. 3



CORRECT STREAM HEIGHT

FIG. 4

SCWT4A-CB-Q*1F SCWT8A-CB-Q*1F SCWT14A-CB-Q*1F

ITEMIZED PARTS LIST

ITEM NO.	PART NO.	DESCRIPTION
1	51544C	Bubbler
2	10-26399-31-640	Drain Plug
3	16-02705-08-640	Strainer Plate
4	40-15018-42-590	Basin
5	55880C	Bracket-Regulator Mounting
6	66504C	Evaporator (4 GPH)
	66505C	Evaporator (8 GPH)
	66506C	Evaporator (14 GPH)
7	31513C	Cold Control
8*	35787C	Compressor Serv. Pak (4 & 8 GPH)
	35762C	Compressor Serv. Pak (14 GPH)
9	31034C	Overload/Relay Assy (4 & 8 GPH)
	31027C	Overload/Relay Assy (14 GPH)
10	19-42439-01-550	Electrical Shield
11	35766C	Relay Cover
12	45689C	Tailpipe Assy (4 GPH) □
	45697C	Precooler (8/14 GPH) Includes 42 & 43
13	66251C	Condenser (4 & 8 GPH)
	66252C	Condenser (14 GPH)
14	10-14534-31-640	Cap Push Button
15	10-15075-31-550	Push Button Stem
16	31490C	Fan Motor
17	10-42095-43-730	Fan Blade
18	70018C	Fan Blade Nut
19	40-26720-43-730	Fan Motor Bracket
20	66201C	Drier (4 & 8 GPH)
	66202C	Drier (14 GPH)
21	66255C	Heat Exchanger (4 & 8 GPH)
	66229C	Heat Exchanger (14 GPH)
22	19-26685-51-550	Power Cord
23	15005C	Regulator Retaining Nut
24	26860C	Regulator Lever
25	26861C	Pivot Bracket
26	26862C	Regulator Retaining Bracket
27	50986C	Regulator Holder
28	61314C	Regulator
29	55996C	Strainer
30	40580C	Hot Valve Assy
31	33659000	Gasket-Body
32	40596C	Shroud
33	40597C	Gooseneck
34	51543C	Lever Handle
35	70921C	Mounting Nut
36	92712C	Stem Assy
37	21591C	Hot Tank Switch Bracket
38	30010C	Hot Tank Toggle Switch
39	55832C	Flow Regulator Assy
40	31397C	Hot Tank Assy
41	22588C	Hot Tank Mounting Bracket
42	55913C	Adaptor-Drain W/O Holes
43	55885C	Nut 1-1/4 Slip Joint
44	15008C	Nipple - Bubbler
45	70682C	Tee - 1/4
46	See Color Table	Side Panel - Right
47	See Color Table	Side Panel - Left
NS	See Color Table	Front Panel

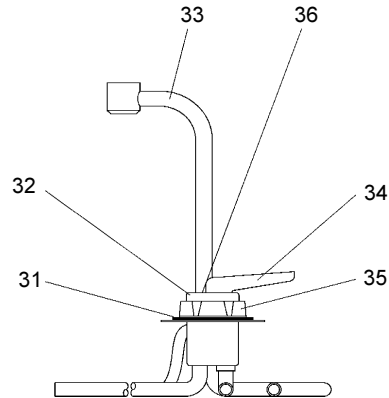
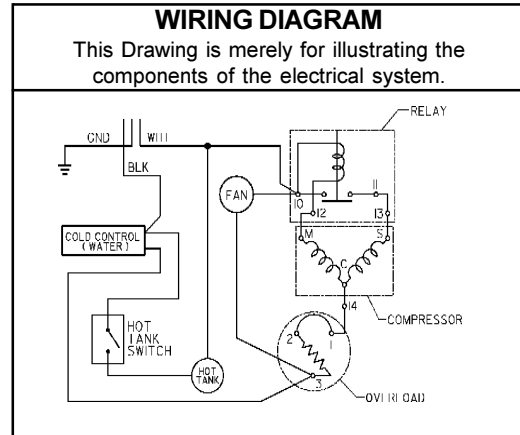


FIG. 5

*INCLUDES RELAY & OVERLOAD. IF UNDER WARRANTY, REPLACE WITH SAME COMPRESSOR USED IN ORIGINAL ASSEMBLY.
 NOTE: All correspondence pertaining to any of the above water coolers or orders for repair parts MUST include Model No. and Serial No. of cooler, name and part number of replacement part.

COLOR	RIGHT PANEL	LEFT PANEL	FRONT PANEL
Platinum (PV)	401536248410	401536348410	401507448410
Almond (AV)	26912C	26908C	26904C
Slate (SV)	401536248440	401536348440	401507448440
Striass Stl (SS)	401536242830	401536342830	401507442830

Halsey Taylor
 2222 CAMDEN COURT
 OAK BROOK, IL 60523

www.DrinkingFountainDoctor.com

800-518-5388

PRINTED IN U.S.A.
 IMPRESO EN LOS E.E.U.U.
 IMPRIMÉ AUX E.-U.