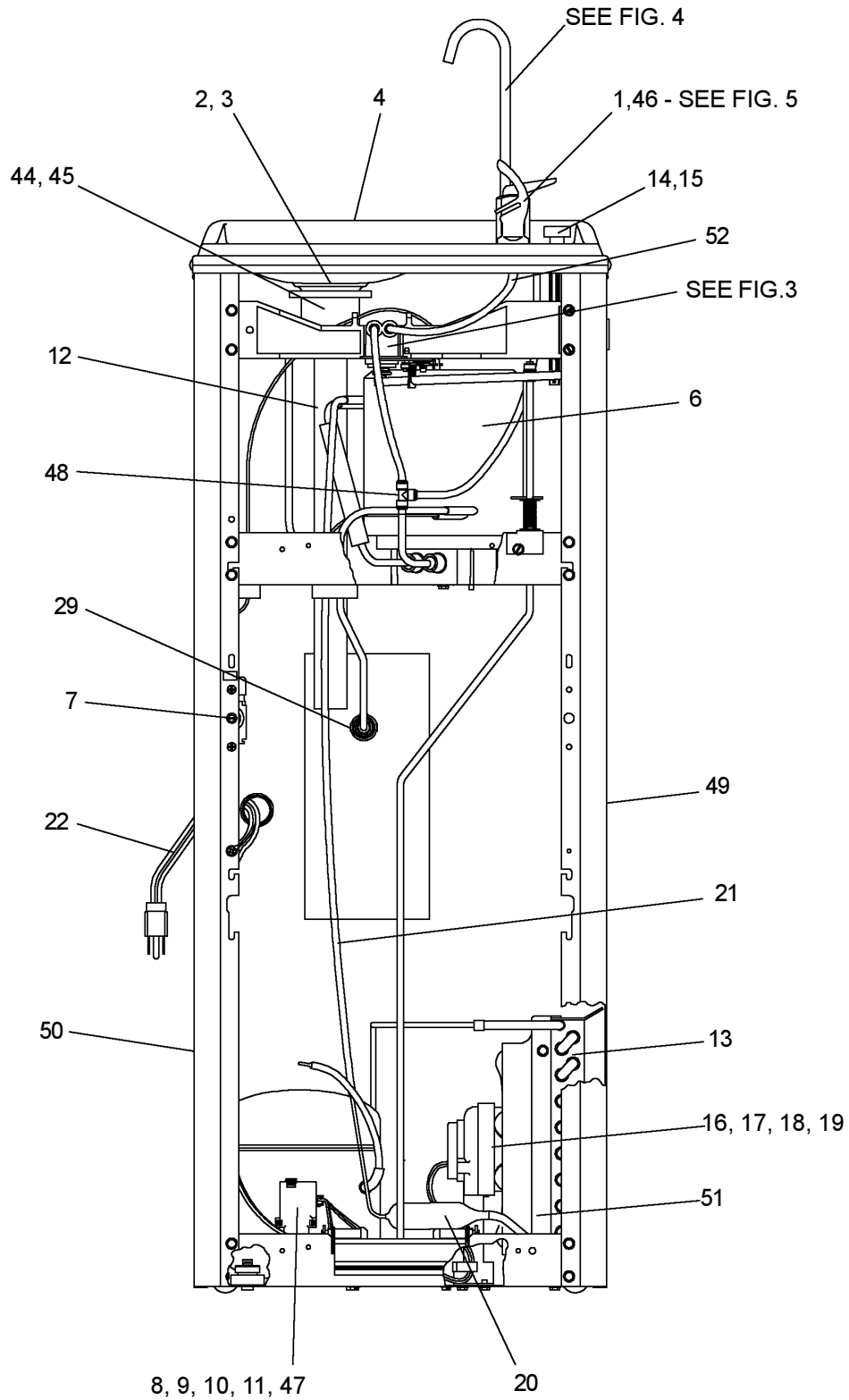


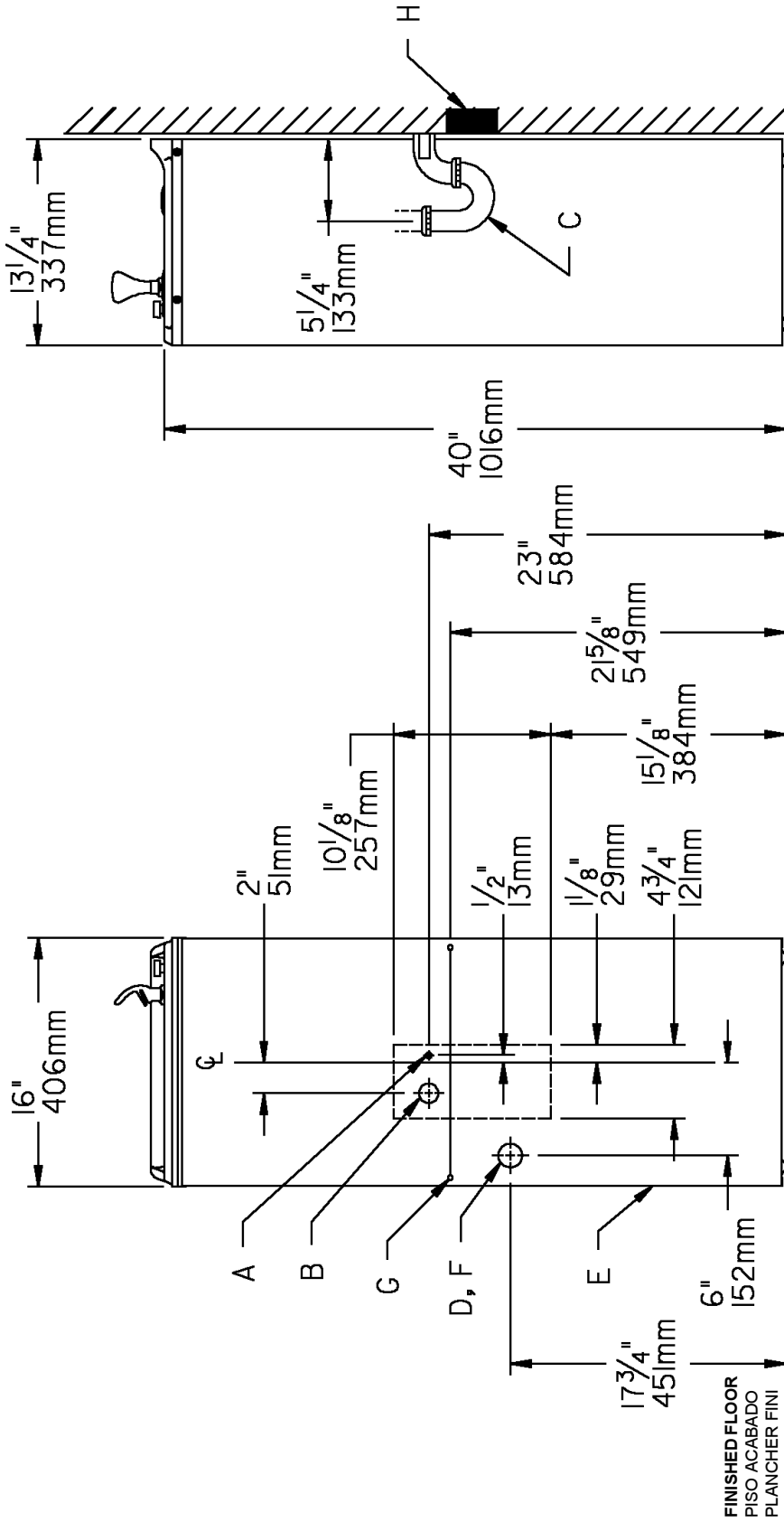
# HALSEY TAYLOR OWNERS MANUAL

USES HFC-134A REFRIGERANT



SCWT8A-FPGF-Q\*1G

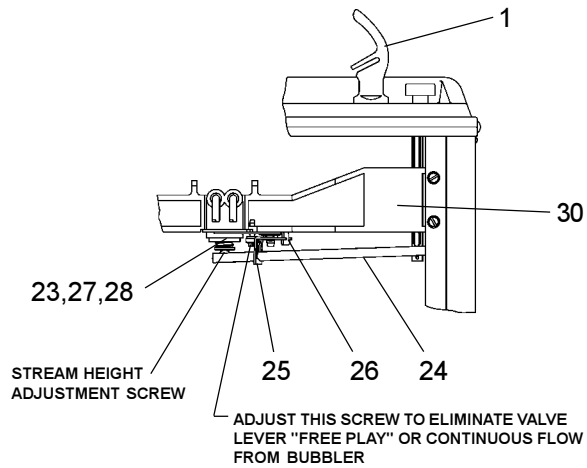
FIG. 1



**FIG. 2**

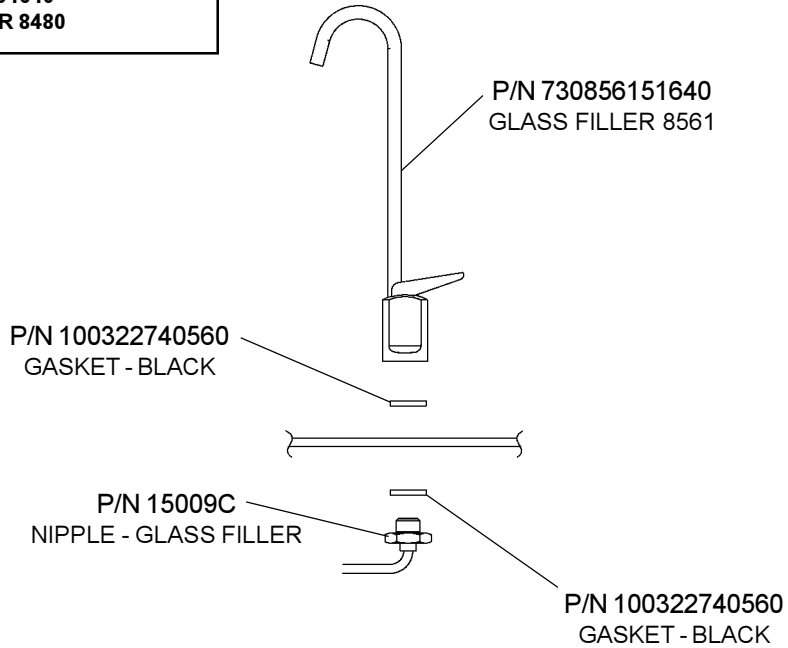
- LEGENDA/LEYENDA/LÉGENDE**  
**A = RECOMMENDED WATER SUPPLY LOCATION 3/8" O.D. UNPLATED COPPER TUBE CONNECT STUB OUT 1-1/2 IN. (38mm)**  
 FROM WALL SHUT OFF BY OTHERS  
 SE RECOMIENDA UBICAR EL TUBO CORTO DE CONEXIÓN AL TUBO DE COBRE SIN CHAPAR DE 3/8" DE DIAM. EXT. A 1-1/2" (38 mm) FUERA DE LA LLAVE DE PASE EN LA PARED COLOCADA POR TERCEROS.  
 EMPLACEMENT RECOMMANDÉ D'ALIMENTATION EN EAUX PAR TUBE EN CUIVRE NON PLAQUÉ DE 3/8 PO. (9,5 mm) D.E. CONNECTANT UNE TUYAUTERIE DE 1-1/2 PO. (38 mm) DEPUIS LE ROBINET D'ARRÊT FOURNI PAR D'AUTRES.
- B = RECOMMENDED LOCATION FOR WASTE OUTLET 1-1/4" O.D. DRAIN**  
 UBICACIÓN RECOMENDADA PARA EL DRENAJE DE SALIDA DE AGUA, DE 1 1/4" DE DIÁMETRO.  
 EMPLACEMENT RECOMMANDÉ POUR LE DRAIN DE D.E. 1-1/4" DE SORTIE D'EAU.
- C = 1-1/4" TRAP NOT FURNISHED**  
 PURGADOR DE 1 1/4" NO PROPORCIONADO  
 SIPHON 1-1/4" NON FOURNI
- D = ELECTRICAL OUTLET LOCATION**  
 UBICACIÓN DE LA TOMA DE ELECTRICIDAD  
 EMPLACEMENT DE LA PRISE DE COURANT
- E = INSURE PROPER VENTILATION BY MAINTAINING 4" (102mm) (MIN.) CLEARANCE FROM CABINET LOUVERS TO WALL.**  
 ASEGURE UNA VENTILACIÓN ADECUADA MANTENIENDO UN ESPACIO E 4" (102mm) (MIN.) DE HOLGURA ENTRE LA REJILLA DE VENTILACIÓN DEL MUEBLE Y LA PARED.  
 ASSUREZ-VOUS UNE BONNE VENTILATION EN GARDANT 4" (102mm) (MIN.) ENTRE LES ÉVÉNENTS DE L'ENCEINTE ET LE MUR.
- F = POWER CORD 4' (1219mm) LONG**  
 CABLE ELÉCTRICO DE 4' (1219mm) PIE DE LARGO  
 CORDON D'ALIMENTATION 4' (1219mm)
- G = WALL SCREW HOLES**  
 AGUJEROS DE TORNILLOS DE PARED  
 TROUS DE VIS DU MUR  
**H = 2 X 4 BLOCKING**  
 BLOQUEO DE 2 X 4  
 BLOC 2 X 4

**PUSH BUTTON VALVE ADJUSTMENT**

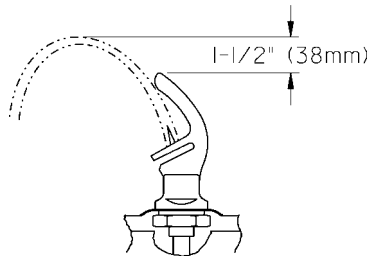


**FIG. 3**

**OPTIONAL PLATFORM GLASS FILLER  
(NOT SHOWN)  
P/N 730848051640  
GLASS FILLER 8480**



**FIG. 4**



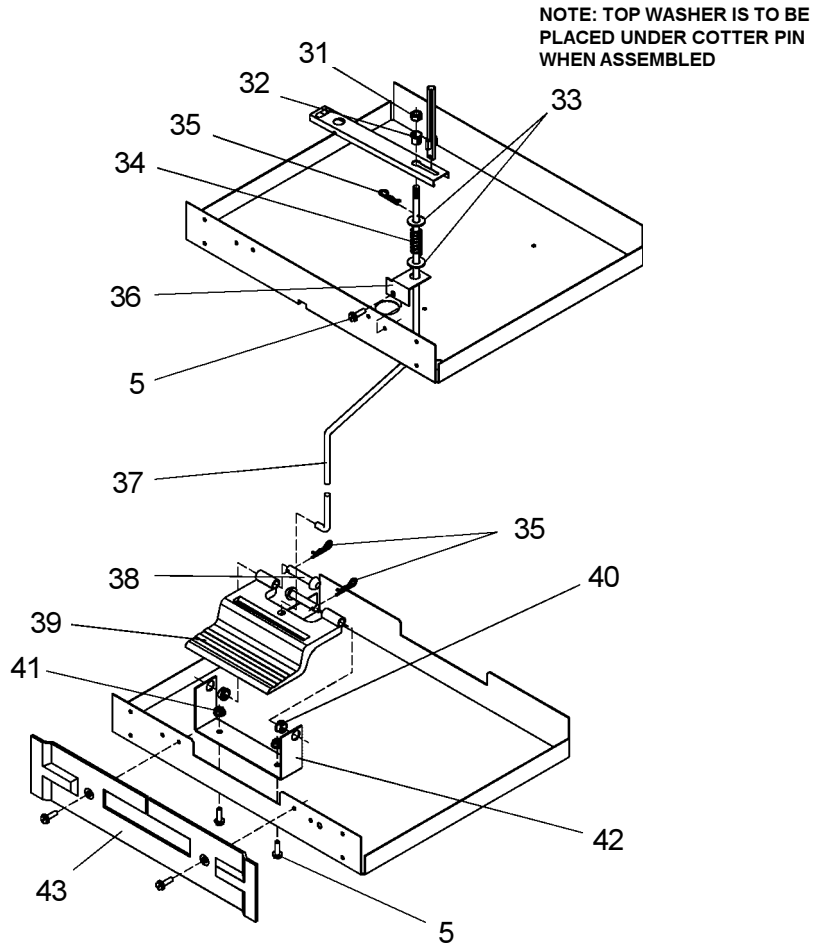
**CORRECT STREAM HEIGHT**

**FIG. 5**

SCWT8A-FPGF-Q\*1G SCWT14A-FP-Q/GF-Q\*1G

ITEMIZED PARTS LIST

ITEM NO.	PART NO.	DESCRIPTION
1	51544C	Bubbler
2	102639931640	Drain Plug
3	160270508640	Strainer Plate
4	28346C	Basin
	28347C	Basin with glass filler hole
5	111008343890	Screw #10-24 x 5/8" HHMS
6	66506C	Evaporator (8 & 14 GPH)
7	31513C	Cold Control
8*	35762C	Compressor Serv. Pak (8 GPH)
	35775C	Compressor Serv. Pak (14 GPH)
9	31027C	Overload/Relay Assy (8 GPH)
	35840C	Overload (14 GPH)
	35843C	Relay (14 GPH)
10	194243901550	Electrical Shield
11	31797C	Relay Cover (8 GPH)
	35768C	Relay Cover (14 GPH)
12	45698C	Tailpipe Assy
13	66252C	Condenser (8 GPH)
	66616C	Condenser (14 GPH)
14	101453431640	Cap Push Button
15	101507531550	Push Button Stem
16	31490C	Fan Motor (8 GPH)
	31492C	Fan Motor (14 GPH)
17	104209543730	Fan Blade (8 GPH)
	30664C	Fan Blade (14 GPH)
18	70018C	Fan Blade Nut
19	402672043730	Fan Motor Bracket
20	66202C	Drier (8 GPH)
	66203C	Drier (14 GPH)
21	66229C	Heat Exchanger (8 GPH)
	66581C	Heat Exchanger (14 GPH)
22	192668451550	Power Cord (8 GPH)
	35887C	Power Cord (14 GPH)
23	15005C	Regulator Retaining Nut
24	26860C	Regulator Lever
25	26861C	Pivot Bracket
26	26862C	Regulator Retaining Bracket
27	50986C	Regulator Holder
28	61314C	Regulator
29	55996C	Strainer
30	55880C	Regulator Mounting Bracket
31	111051043550	Nylok Nut 1/4-20
32	50770C	Snap Bushing
33	110077043890	Washer
34	101418251550	Compression Spring
35	70184C	Cotter Pin
36	401507143730	Alignment Bracket
37	101473543730	Foot Pedal Pull Rod
38	110208243890	Foot Lever Pin
39	100631242700	Foot Pedal
40	101482131870	Snap Bushing
41	1110884	Hex Nut
42	401507243730	Base Mounting Bracket
43	401506931560	Toe Plate
44	75588C	Nut - Slip Nut 1-1/4
45	55913C	Adaptor - Drain
46	15012C	Bubbler Nipple Assy
47	35844C	Capacitor (14 GPH)
48	70682C	Tee - 1/4
49	See Color Table	Side Panel - Right
50	See Color Table	Side Panel - Left
51	101452831560	Fan - Shroud (14 GPH)
52	56092C	Poly Tubing (Cut To Length)
NS	See Color Table	Front Panel



\*INCLUDES RELAY & OVERLOAD. IF UNDER WARRANTY, REPLACE WITH SAME COMPRESSOR USED IN ORIGINAL ASSEMBLY.

NOTE: All correspondence pertaining to any of the above water coolers or orders for repair parts MUST include Model No. and Serial No. of cooler, name and part number of replacement part.

COLOR	RIGHT PANEL	LEFT PANEL	FRONT PANEL
Platinum (PV)	401536248410	401536348410	401507448410
Almond (AV)	26912C	26908C	26904C
Slate (SV)	401536248440	401536348440	401507448440
Striss Stl (SS)	401536242830	401536342830	401507442830

www.DrinkingFountainDoctor.com

800-518-5388

**Halsey Taylor**  
 2222 CAMDEN COURT  
 OAK BROOK, IL 60523

PRINTED IN U.S.A.  
 IMPRESO EN LOS E.E.U.U.  
 IMPRIME AUX E.-U.