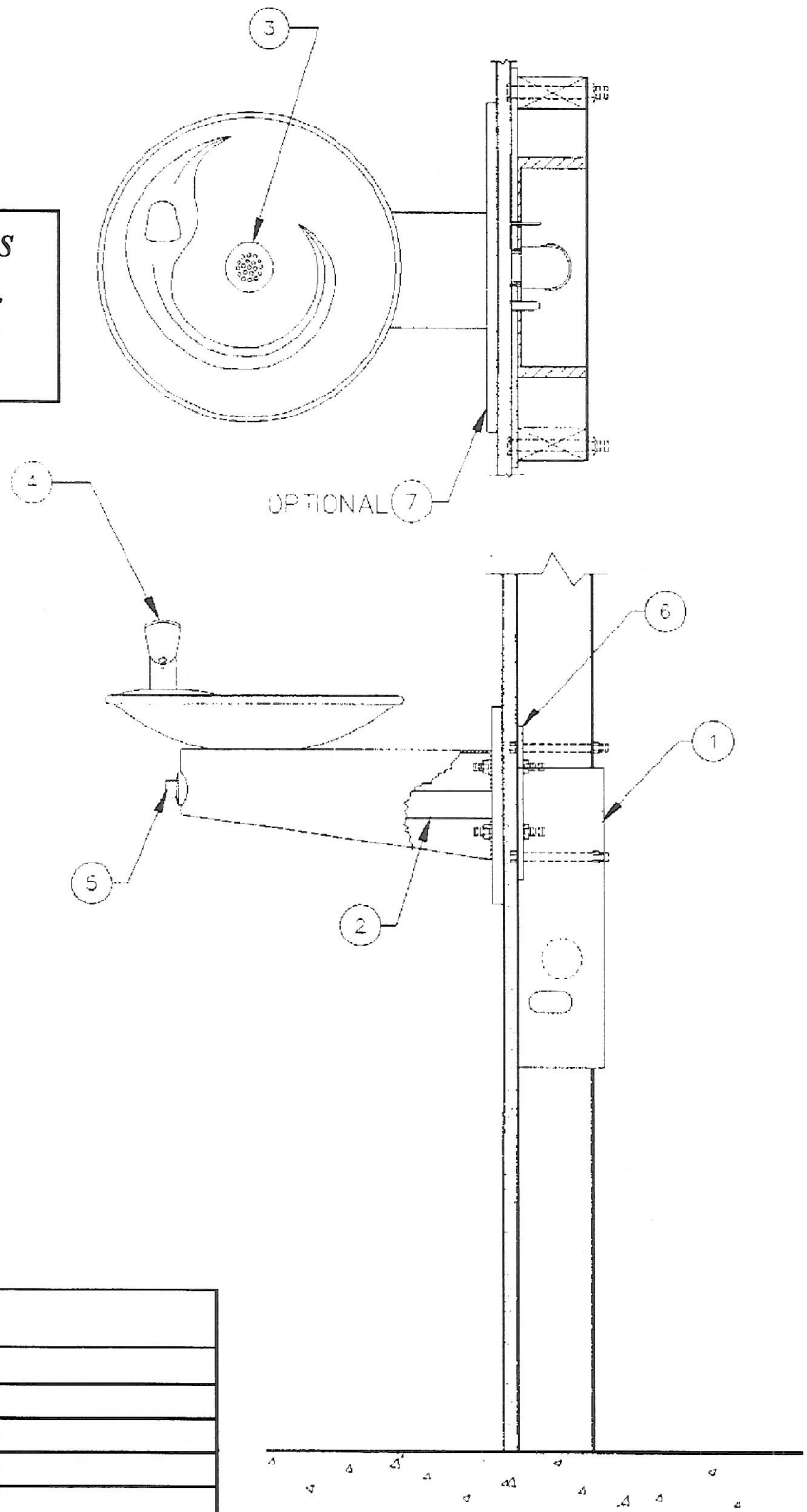


*When ordering parts
please specify your
model number.*



ITEM	PART #	DESCRIPTION
1	SF-0625	Freeze Resistant System
2	SFP-514	Waste Bend
3	SFP-602	Drain Strainer
4	SF-1730	Bubbler Head
5	SFP-1006	Push Button Assembly
6	SF-0100	Mounting Plate
7	SF-0151	Back Panel