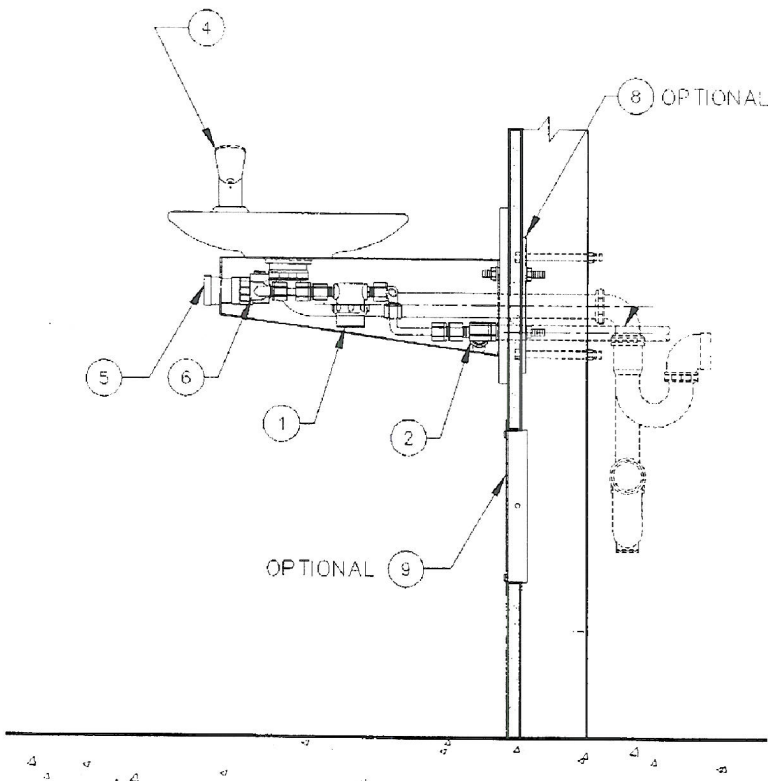


*When ordering parts
please specify your
model number.*



ITEM	PART #	DESCRIPTION
1	SF-1900	In-Line Strainer
2	SFP-513	Key Stop
3	SFP-1207	Drain Assembly
4	SF-1730	Bubbler Head
5	SFP-1001	Push Button
6	SF-1895	Valve
7	SF-598	Backplate
8	SF-0100	Mounting Plate