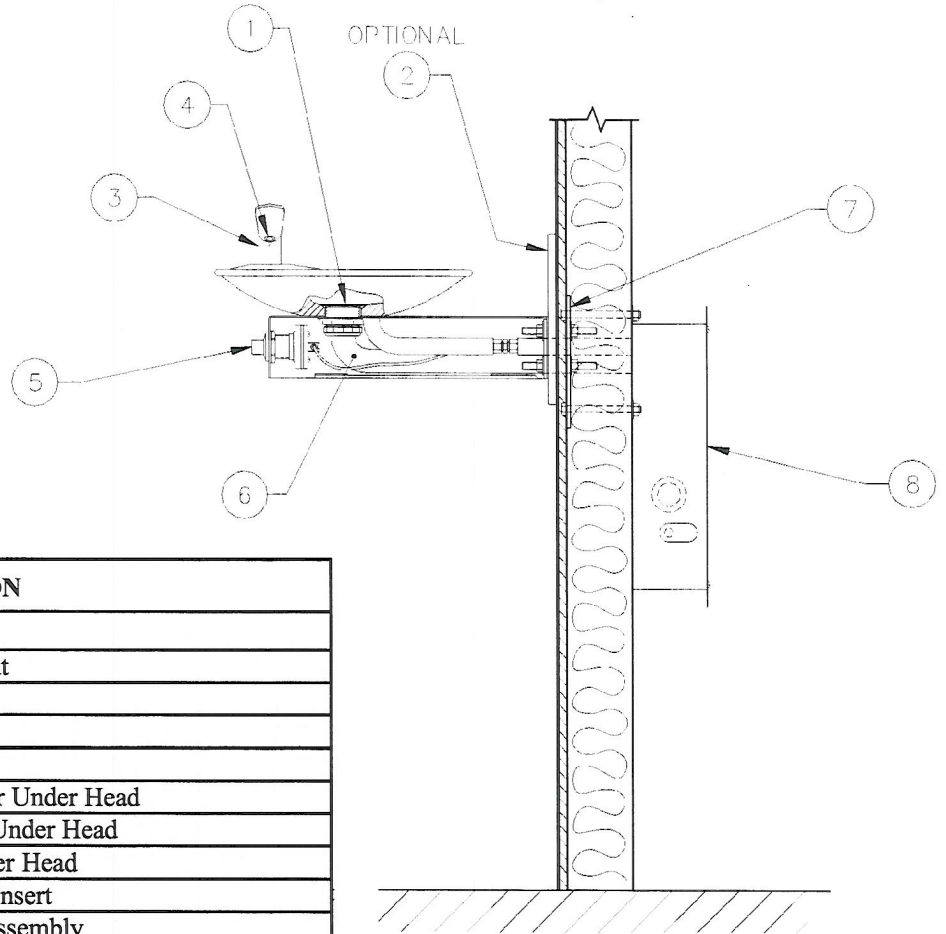
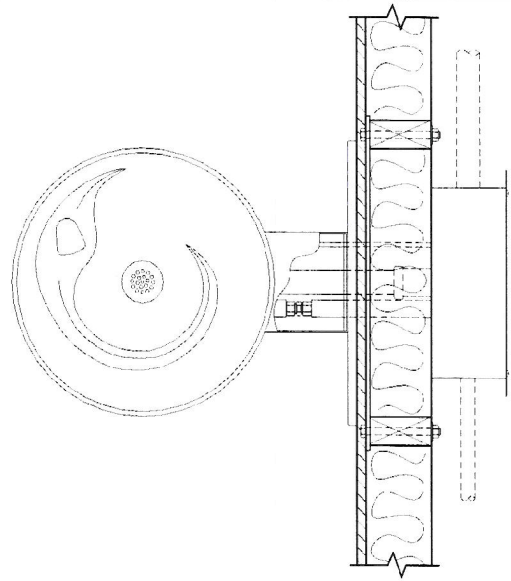


*When ordering parts
please specify your
model number.*



ITEM	PART #	DESCRIPTION
1	SFP-602	Drain Strainer
1	SFP-507	Drain Lock Nut
1	SFP-506	Drain Washer
2	SF-0151	Back Panel
3	SF-1730	Bubbler Head
3	SFP-500	Rubber Washer Under Head
3	SFP-501	Fiber Washer Under Head
3	SFP-502	Lock Nut Under Head
4	SFP-679	Non-Laminar Insert
5	SFP-1006	Push Button Assembly
6	SFP-514	Waste Bend
6	SFP-515	Slip Joint Nut
6	SFP-516	Slip Joint Washer
7	SF-0100	Mounting Plate
8	SF-0625	Freeze Resistant System