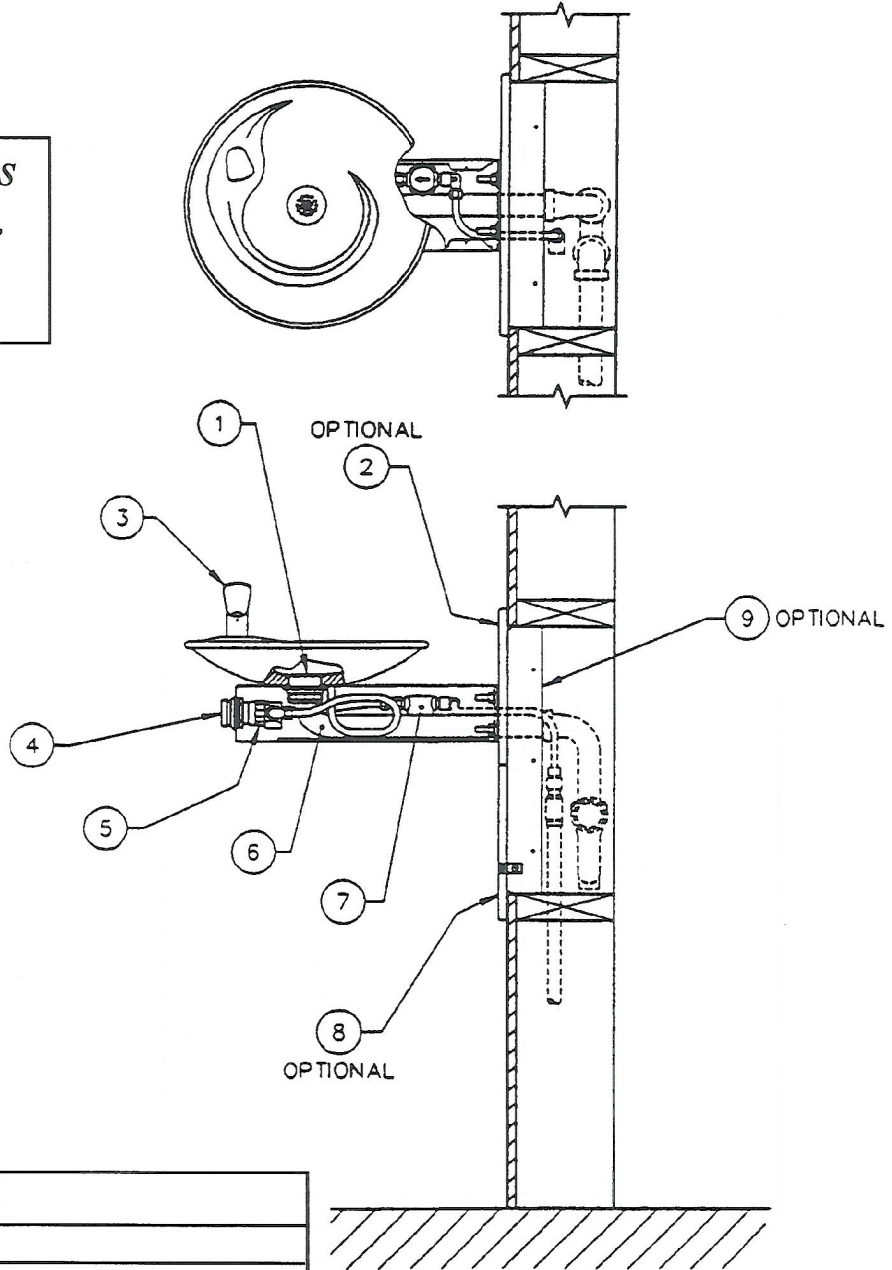


*When ordering parts  
please specify your  
model number.*



ITEM	PART #	DESCRIPTION
1	SFP-602	Drain Strainer
1	SFP-506	Drain Fiber Washer
1	SFP-507	Drain Lock Nut
1	SFP-515	Slip Joint Nut
1	SFP-516	Slip Joint Washer
2	SF-0151	Back Panel (optional)
3	SF-1730	Bubbler Head
4	SFP-1002	Push Button
5	SF-1895	Valve
6	SFP-514	Waste Bend
7	SF-1900	In-Line Strainer
8	SF-0200	Access Panel (optional)
9	SF-9001	Mounting Frame