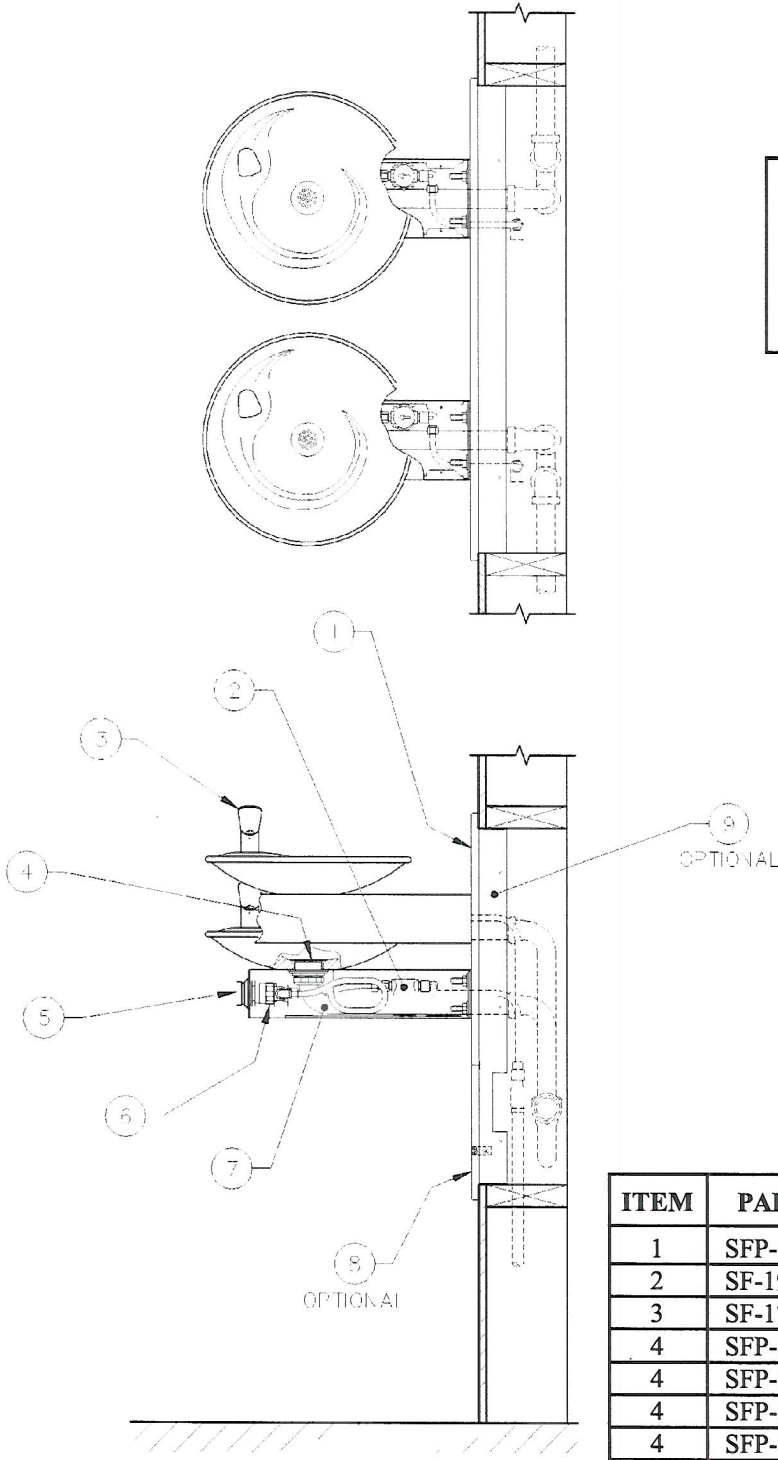


*When ordering parts
please specify your
model number.*



ITEM	PART #	DESCRIPTION
1	SFP-686	Back Panel
2	SF-1900	In-Line Strainer
3	SF-1730	Bubbler Head
4	SFP-602	Drain Strainer
4	SFP-506	Drain Fiber Washer
4	SFP-507	Drain Lock Nut
4	SFP-515	Slip Joint Nut
4	SFP-516	Slip Joint Washer
5	SFP-1002	Push Button
6	SF-1895	Valve
7	SFP-514	Waste Bend
8	SF-0202	Access Panel (optional)
9	SF-9002	Mounting Frame (optional)