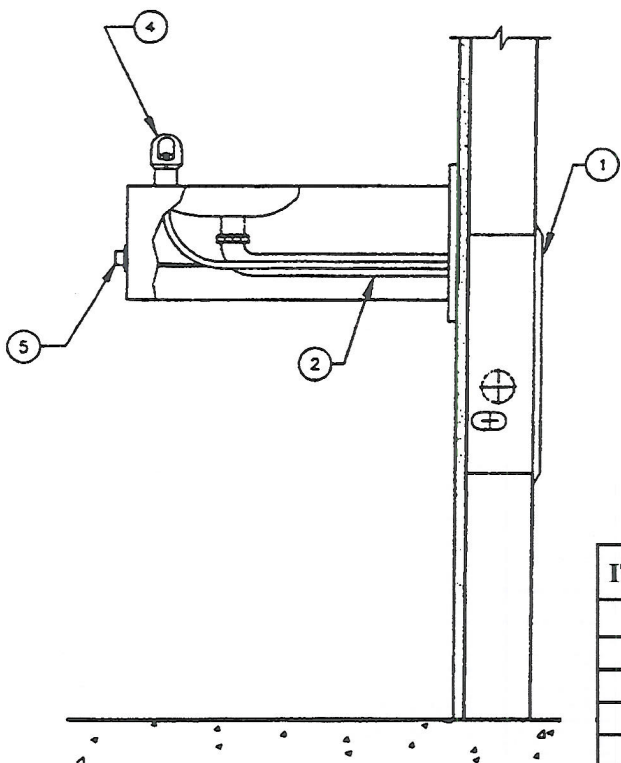


*When ordering parts
please specify your
model number.*



ITEM	PART #	DESCRIPTION
1	SF-0625	Freeze Valve System
2	SFP-535	Waste Arm
3	SFP-528	Drain Holder
3	SFP-529	Lock Nut
3	SFP-530	Brass Washer
3	SFP-531	Rubber Washer
4	SF-1735 SLT	Head
4	SFP-525	Lock Washer
4	SFP-500	Rubber Washer
4	SFP-526	Fiber Washer
5	SFP-1006	Push Button Assembly
6	SFP-598	Backplate
Parts Not Shown		
	SFP-527	Spud .45 G.P.M.
	SFP-509	Elbow 3/8" x 1/4" ml cmp
	SFP-537	Round Bowl
	SFP-512	Connector 3/8" x 3/8" f cmp
	SFP-515	Slip Joint Nut
	SFP-517	Slip Joint Washer

For models marked C/F, please contact factory.