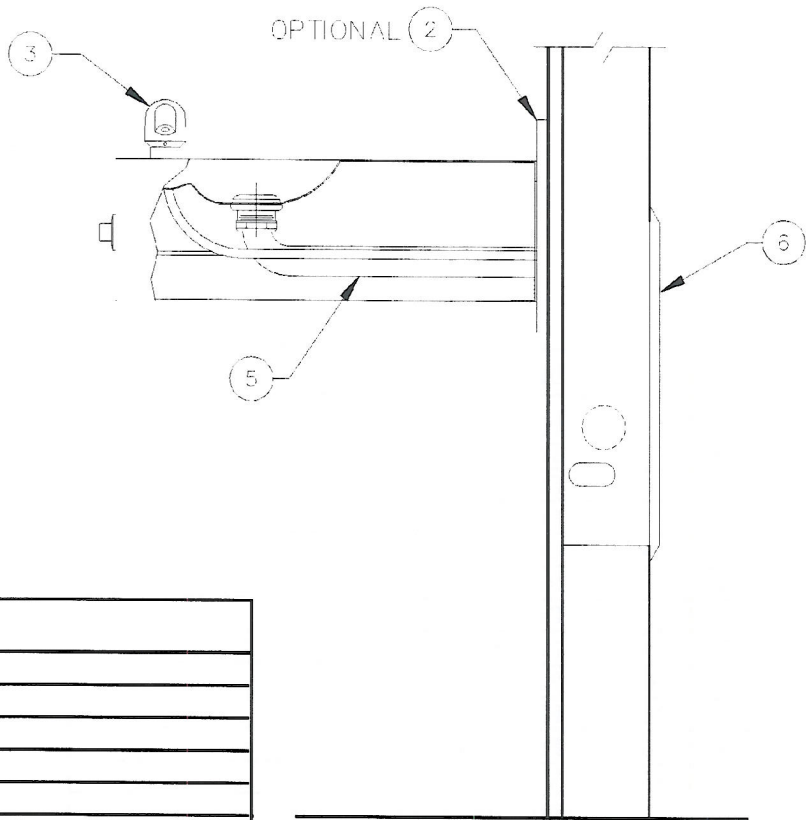


*When ordering parts
please specify your
model number.*



ITEM	PART #	DESCRIPTION
1	SFP-528	Drain Holder
1	SFP-529	Lock Nut
1	SFP-530	Brass Washer
1	SFP-531	Rubber Washer
2	SFP-598	Back Plate
3	SF-1735 SLT	Head
3	SFP-525	Lock Washer
3	SFP-500	Rubber Washer
3	SFP-526	Fiber Washer
4	SFP-1006	Push Button Assembly
5	SFP-535	Waste Arm
6	SFP-0625	Freeze Valve System