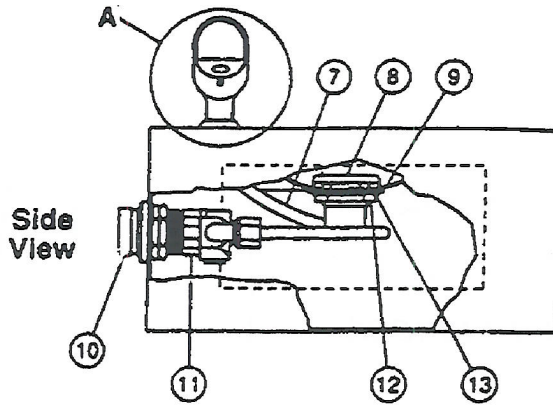
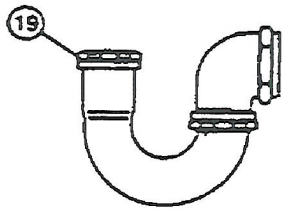


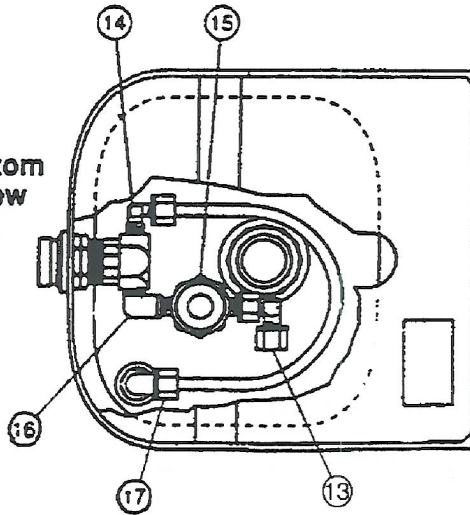
View A



Side View



Bottom View



When ordering parts please specify your model number.

ITEM	PART #	DESCRIPTION
1	SF-1735 SLT	Head
2	SFP-525	Lock Washer
3	SFP-526	Fiber Washer
4	SFP-500	Rubber Washer
5	SFP-527	Spud .45 G.P.M.
6	SFP-509	Elbow 3/8" x 1/4" ml cmp
7	SFP-533	3/8" x Poly Tubing (17")
8	SFP-528	Drain Holder
9	SFP-531	Rubber Washer
10	SFP-1002	Push Button
11	SF-1895	Valve
12	SFP-530	Brass Washer
13	SFP-529	Lock Nut
14	SFP-509	Elbow 3/8" x 1/4" ml cmp
15	SFP-1900	In-Line Strainer
16	SFP-534	Elbow 1/4" x 1/4" f
17	SFP-509	Elbow 3/8" x 1/4" ml cmp
18	SFP-510	Elbow 3/8" x 1/4" f cmp
19	SFP-532	Trap 1 1/2"