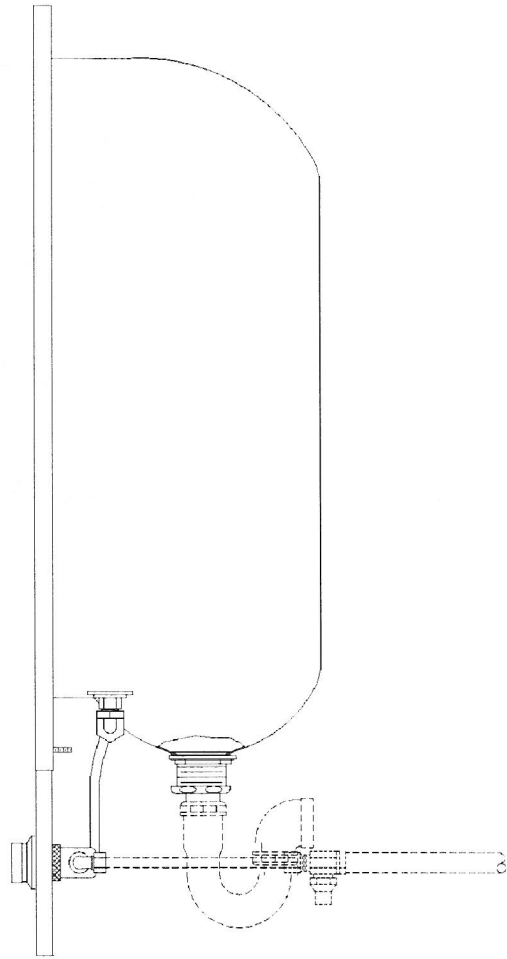
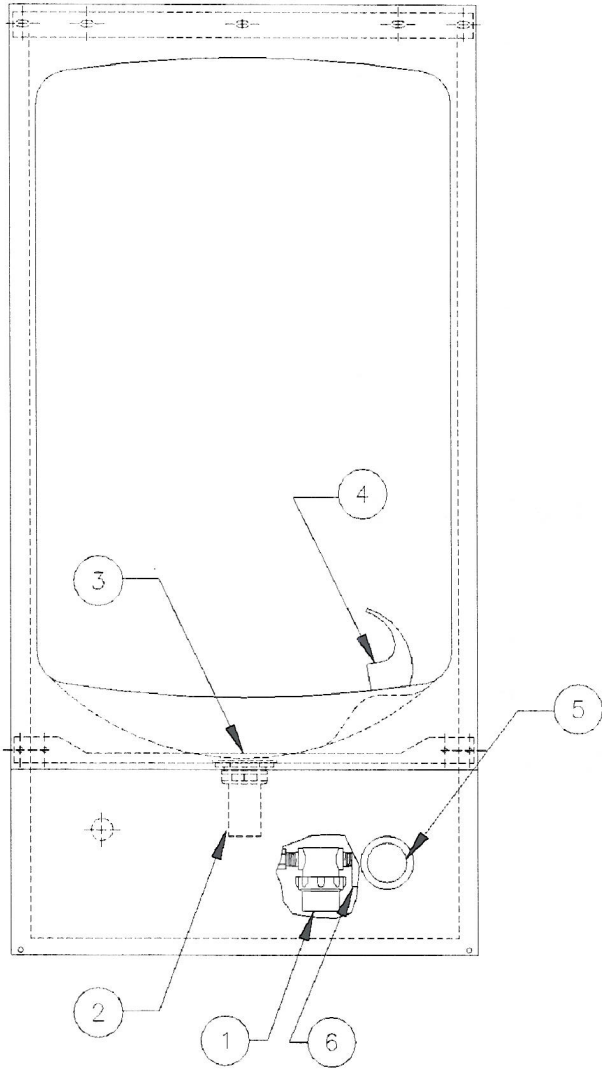


*When ordering parts
please specify your
model number.*



ITEM	PART #	DESCRIPTION
1	SF-1900	In Line Strainer
2	SFP-546	Tailpiece
3	SFP-1203	Drain Assembly
4	SF-1735	Bubbler Head
5	SFP-1002	Push Button
6	SF-1895	Valve