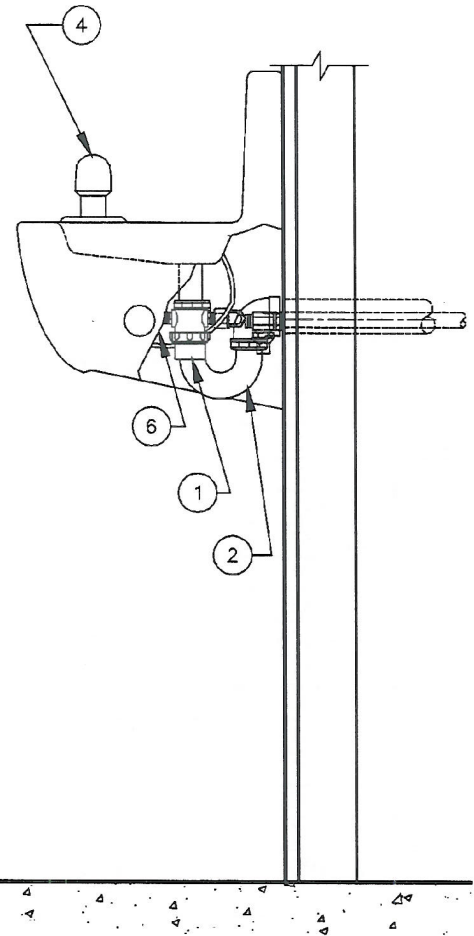
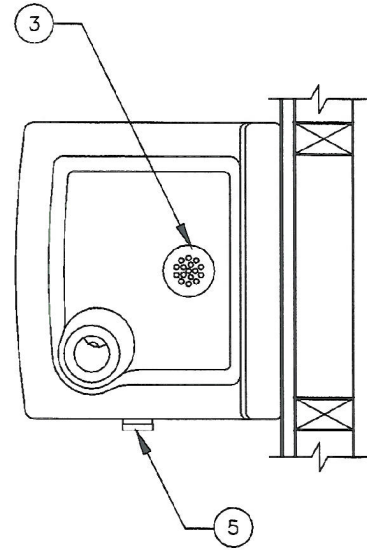


*When ordering parts
please specify your
model number.*



ITEM	PART #	DESCRIPTION
1	SF-1900	Strainer
2	SFP-581	Trap
3	SFP-544	Drain Strainer
3	SFP-507	Drain Nut
3	SFP-545	Slip Joint Nut
3	SFP-550	Tailpiece
3	SFP-516	Drain Rubber Washer
3	SFP-506	Drain Fiber Washer
3	SFP-580	Drain Washer
4	SF-1725	Head
4	SFP-500	Rubber Washer (under head)
4	SFP-502	Hex Nut (under head)
4	SFP-501	Fiber Washer (under head)
4	SFP-526	Fiber Washer (under head)
5	SFP-1005	Push Button
6	SF-1895	Valve
Parts Not Shown		
	SFP-527	Spud .45 G.P.M.
	SFP-541	Connector 3/8" x 1/4" ml cmp
	SFP-509	Elbow 3/8" x 1/4" ml cmp
	SFP-510	Elbow 3/8" x 1/4" f cmp