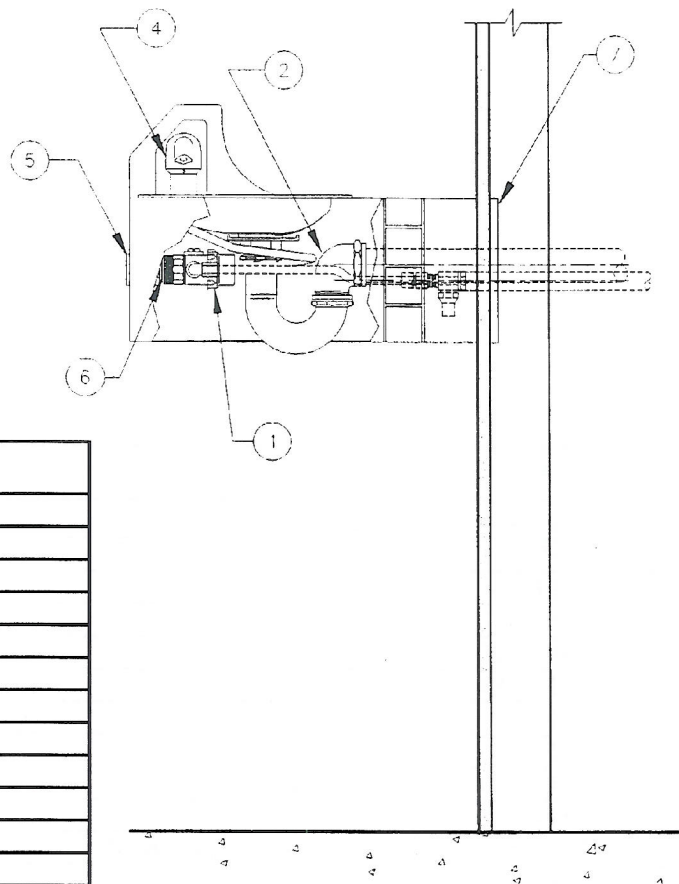
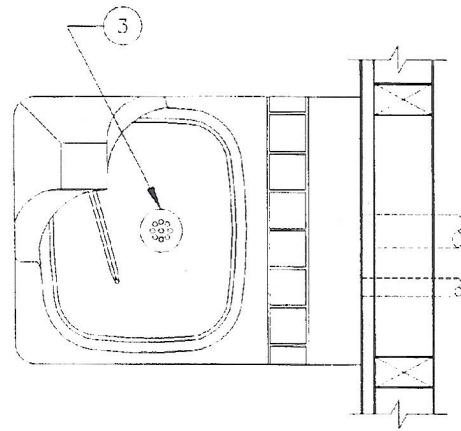


*When ordering parts
please specify your
model number.*



ITEM	PART #	DESCRIPTION
1	SF-1900	In-Line Strainer
2	SFP-532	Trap
3	SFP-582	Drain Strainer
3	SFP-583	Bowl Holder
3	SFP-562	Lock Nut
3	SFP-584	Screw
3	SFP-585	Washer
3	SFP-1208	Drain Assembly (Above 5pcs)
4	SF-1725	Head
4	SFP-500	Rubber Washer (under head)
4	SFP-501	Fiber Washer (under head)
4	SFP-502	Lock Nut
5	SFP-1005	Push Button
6	SF-1895	Valve
7	SF-0100	Mounting Plate
Parts Not Shown		
	SFP-509	Elbow 3/8" x 1/4" ml cmp
	SFP-511	Connector 3/8" x 1/4" f cmp
	SFP-534	Elbow 1/4" x 1/4" f
	SFP-568	Bowl
	SFP-586	Bottom Plate