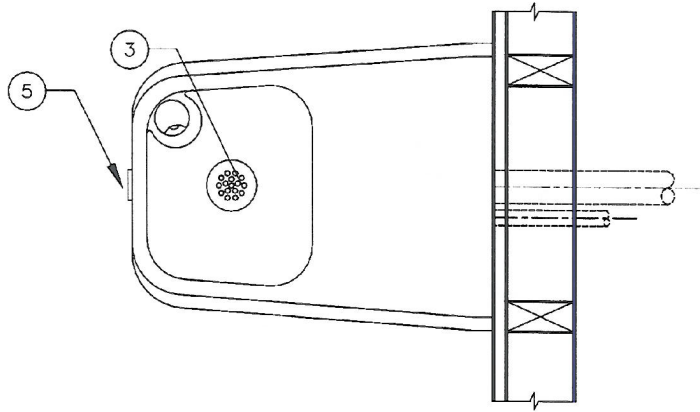
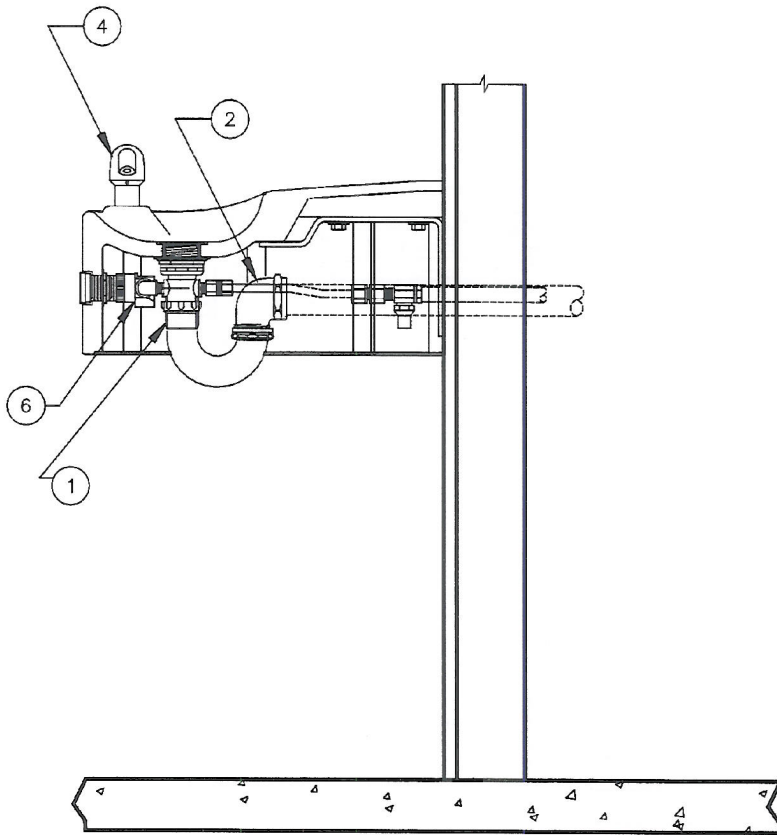


SF-7080



*When ordering parts
please specify your
model number.*



ITEM	PART #	DESCRIPTION	
1	SF-1900	In-Line Strainer	
2	SFP-532	Trap	
3	SFP-1203	Drain Assembly	
4	SF-1725	Bubbler Head	
5	SFP-1005	Push Button	
6	SF-1895	Valve	