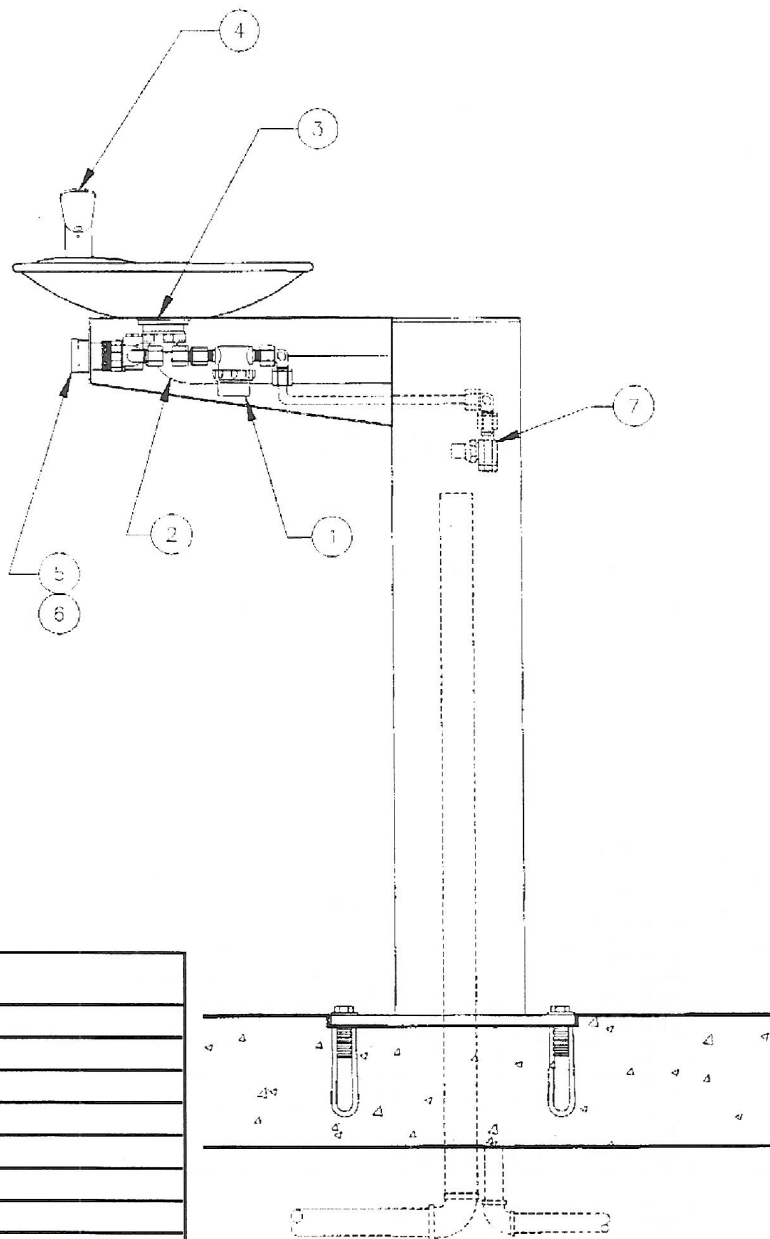


*When ordering parts
please specify your
model number.*



ITEM	PART #	DESCRIPTION
1	SF-1900	In-Line Strainer
2	SFP-535	Waste Arm
3	SFP-602	Drain Strainer
3	SFP-506	Drain Fiber Washer
3	SFP-507	Drain Lock Nut
4	SF-1730	Head
4	SPD-500	Rubber Washer
4	SPD-501	Fiber Washer
4	SFP-502	Hex Nut
5	SFP-1001	Push Button
6	SF-1895	Valve
7	SFP-513	Key Stop
Parts Not Shown		
	SFP-509	Elbow 3/8" x 1/4" ml cmp
	SFP-512	Connector 3/8" x 3/8" f cmp
	SFP-511	Connector 3/8" x 1/4" f cmp
	SFP-515	Slip Joint
	SFP-516	Washer
	SFP-514	Waste 15 3/4"