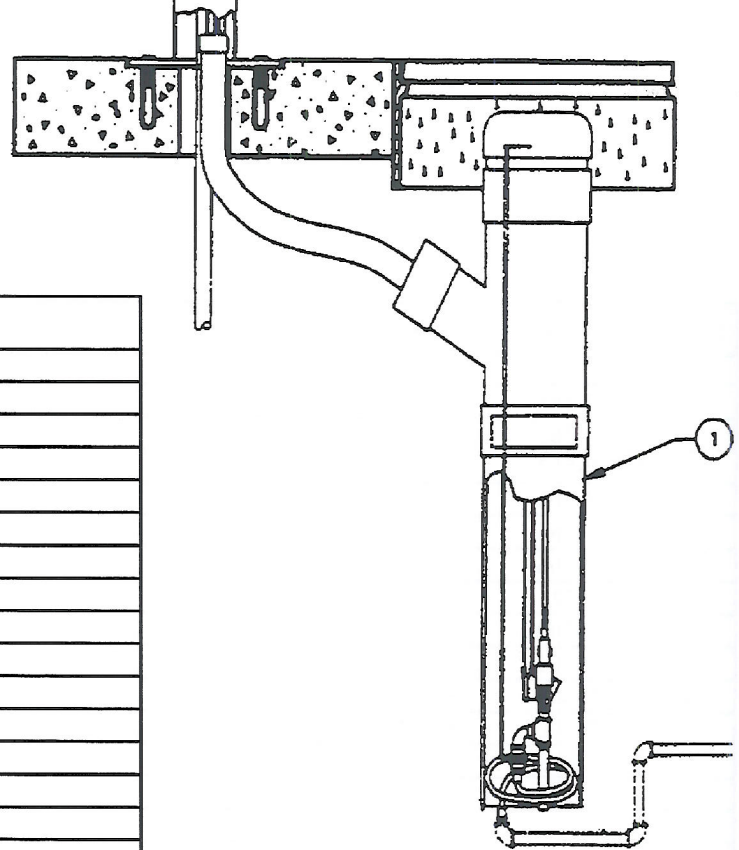


*When ordering parts
please specify your
model number.*



ITEM	PART #	DESCRIPTION
1	SF-0170	Freeze Valve System
2	SFP-626	Waste Arm
3	SFP-505	Strainer
3	SFP-506	Drain Washer
3	SFP-507	Drain Lock Nut
4	SF-1730	Head
4	SFP-500	Rubber Washer
4	SFP-501	Fiber Washer
4	SFP-502	Lock Nut
5	SFP-1006	Push Button
Parts Not Shown		
	SFP-534	Elbow 1/4" x 1/4" f
	SFP-596	Connector 1/4" Barb
	SFP-627	Retaining Clip
	SFP-515	Slip Joint Nut
	SFP-516	Washer
	SFP-517	Washer
	SFP-607	Adapter
	SFP-545	Slip Joint Nut
	SFP-610	Tailpiece 1 1/2" x 4"
	SFP-609	Flex Pipe 1 1/2"

For models marked C/F, please contact factory.