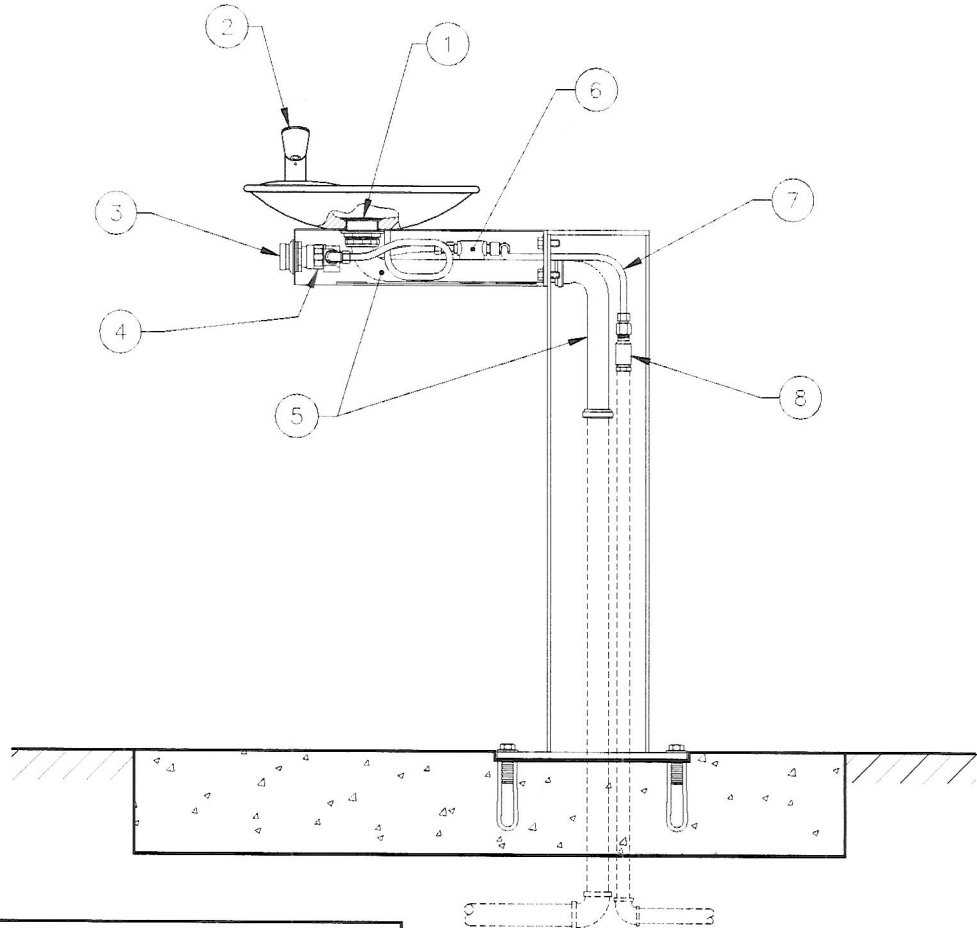
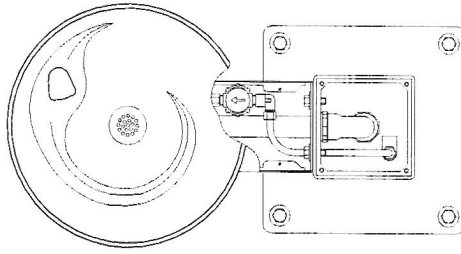


*When ordering parts
please specify your
model number.*



ITEM	PART #	DESCRIPTION
1	SFP-602	Drain Strainer
1	SFP-506	Drain Washer
1	SFP-507	Drain Lock Nut
2	SF-1730	Bubbler Head
3	SFP-1002	Push Button
4	SF-1895	Valve
5	SFP-514	Waste Bend
6	SF-1900	Strainer In Line
7	SFP-647	3/8" Supply Tubing
8	SFP-513	Screw Driver Stop